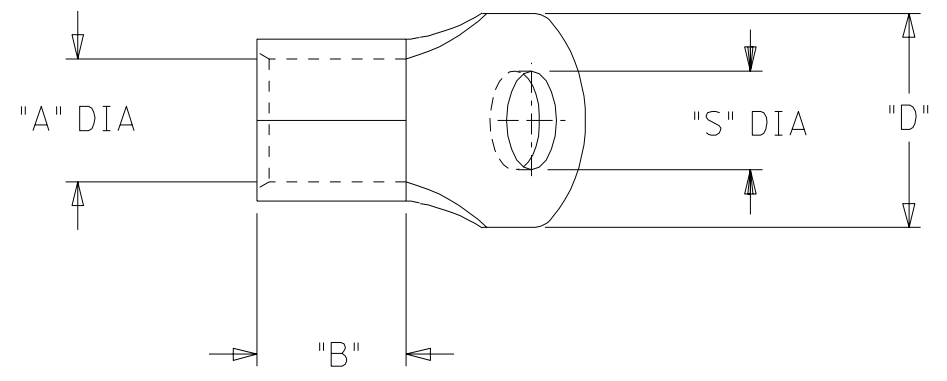
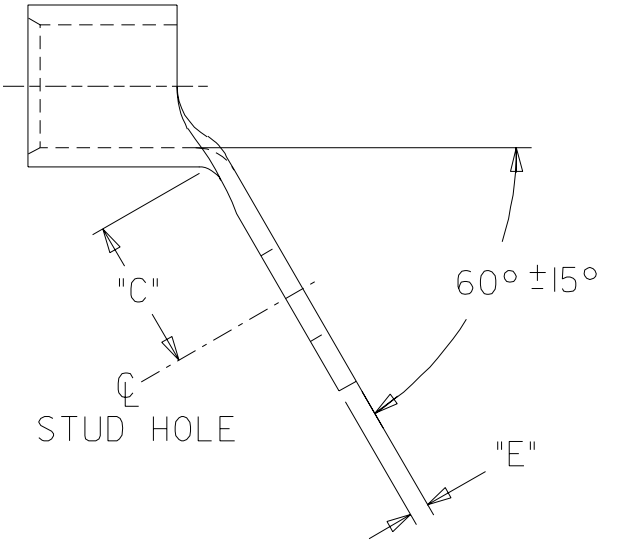


MATERIAL NUMBER	ENGINEERING NUMBER	"A" DIA. MIN.	"B" $\frac{\pm.015}{\pm.38}$	"C" $\frac{\pm.020}{\pm.51}$	"D" $\frac{\pm.015}{\pm.38}$	"E" $\frac{+.000-.003}{+.00-.08}$
192030346	J-T-385-38R60	.500	.725	.550	.928	.083
192030349	J-T-385-76R60	12.70	18.42	13.97	23.57	2.11
192030350	L-T-395-12R60	.625	.776	.580	1.115	.102
192030347	L-T-395-76R60	15.88	19.71	14.73	28.32	2.59



NOM. STUD SIZE (INCH)	$\pm.005/.13$ "S" DIA
1/4	.265/6.73
5/16	.328/8.33
3/8	.390/9.91
7/16	.453/11.51
1/2	.515/13.08
5/8	.656/16.66
3/4	.781/19.84
7/8	.906/23.01



SALES DRAWING

- NOTES:
- MATERIAL: COPPER
 - PLATING: NICKEL
 - DO NOT SCALE DRAWING.

REL NEW PRODUCT EC NO. ETC2004-0080 DRWN:EMF 03/10/06 CHK:HEB 03/10/07 APPR:RWD 03/10/08	QUALITY SYMBOLS MAJOR $\blacktriangle = 0$ CRITICAL $\triangle = 0$	GENERAL TOLERANCES: (UNLESS SPECIFIED)		SCALE 1:1	DESIGN UNITS <input type="checkbox"/> mm <input checked="" type="checkbox"/> INCH	THIRD ANGLE PROJECTION	DIMENSIONS: <input type="checkbox"/> mm <input checked="" type="checkbox"/> INCH <input type="checkbox"/> mm ONLY	SHT REV	
		4 PLACES $\pm 0.$ mm $\pm .$ INCH 3 PLACES $\pm 0.$ mm $\pm .$ INCH 2 PLACES $\pm 0.$ mm $\pm .$ INCH 1 PLACE $\pm 0.$ mm $\pm .$ INCH		DRAWN BY & DATE EMF 03/10/06		TITLE: RING TONGUE TERMINAL 650° TEMP-TERM TONGUE BENT 60°			
		ANGULAR: $\pm 1/2^\circ$		CHECKED BY & DATE HEB 03/10/07		MOLEX INCORPORATED			
		DRAFT WHERE APPLICABLE MUST REMAIN WITHIN DIMENSIONS		APPROVED BY & DATE RWD 03/10/08		CAD FILENAME SD19203014.DGN	MATERIAL NO. SEE CHART	DRAWING NO. SD-19203-014	SHEET NO. 1 OF 1

THIS DRAWING CONTAINS INFORMATION THAT IS PROPRIETARY TO MOLEX INCORPORATED AND SHOULD NOT BE USED WITHOUT WRITTEN PERMISSION.