

THIS DRAWING IS UNPUBLISHED.

RELEASED FOR PUBLICATION

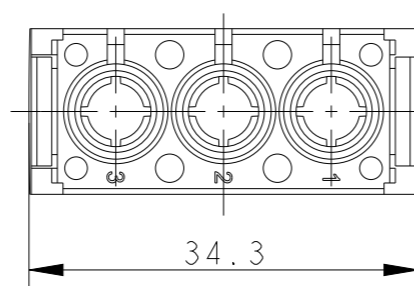
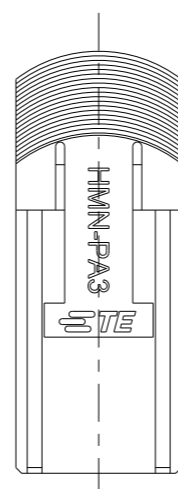
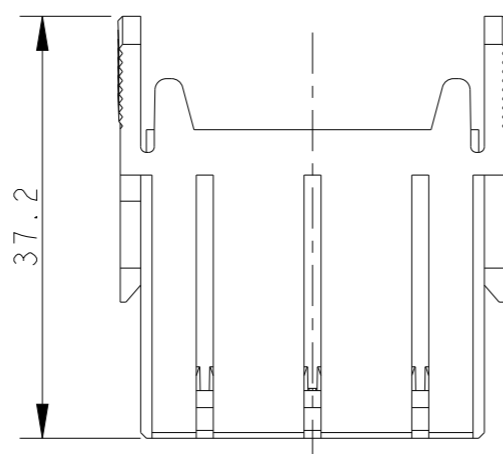
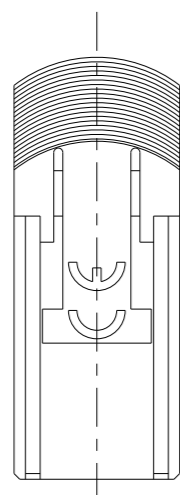
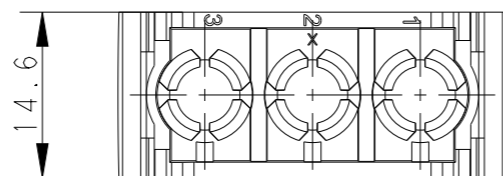
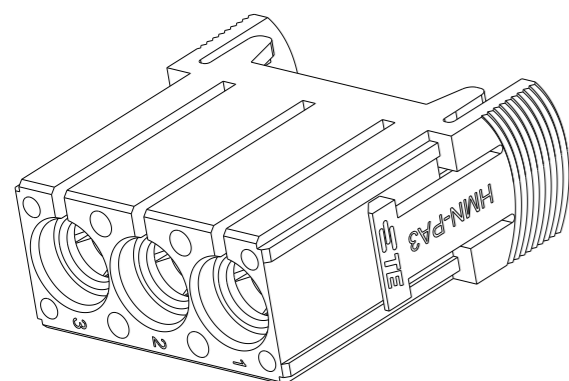
20

© COPYRIGHT 20 BY -

ALL RIGHTS RESERVED.

REVISIONS

P	LTR	DESCRIPTION	DATE	DWN	APVD
	A	INITIAL	16MAR2017	RL	CW
	B	ECR-21-111798,ADD CE MARK	18SEP2021	WQR	CW



NOTES:

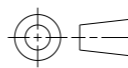
- TECHNICAL CHARACTERISTICS:
INSULATION MATERIAL: PC
TUBE ID: 1.3 / 3.0 / 4.0mm
- CONTACT NEED TO BE ORDERED SEPARATELY.
(ORDER No. REFER TO DRAWING:
PIN CONTACT: T209000210100X
SOCKET CONTACT: T209000220100X
SOCKET CONTACT,
WITH SHUT OFF : T209001220100X)

注释:


- 技术参数:
绝缘材料: PC
导管内径: 1.3 / 3.0 / 4.0mm
- 气动端子需要单独订购.
(订购号参考图面:
公针: T209000210100X;
母针: T209000220100X;
带密闭气阀母针: T209001220100X)

T2111032301-000	HMN-PA3	HMN-PA3 MODULE INSERT HMN-PA3气动模块芯件
PART NUMBER 料号	PART DESCRIPTION 描述	

THIS DRAWING IS A CONTROLLED DOCUMENT.

DIMENSIONS: mm	TOLERANCES UNLESS OTHERWISE SPECIFIED:
	0 PLC ±-
	1 PLC ±-
	2 PLC ±-
	3 PLC ±-
	4 PLC ±-
	ANGLES ±-
MATERIAL	FINISH
-	-
-	-

DWN	16MAR2017
ROY LIU	
CHK	16MAR2017
KYLE ZENG	
APVD	16MAR2017
CHRIS WANG	
PRODUCT SPEC	-
APPLICATION SPEC	-
WEIGHT	-
CUSTOMER DRAWING	

 TE Connectivity		NAME		HMN-PA3
		SIZE	CAGE CODE	DRAWING NO
A300779		G-T2111032301000		
SCALE	3:2	SHEET	1 OF 1	REV B