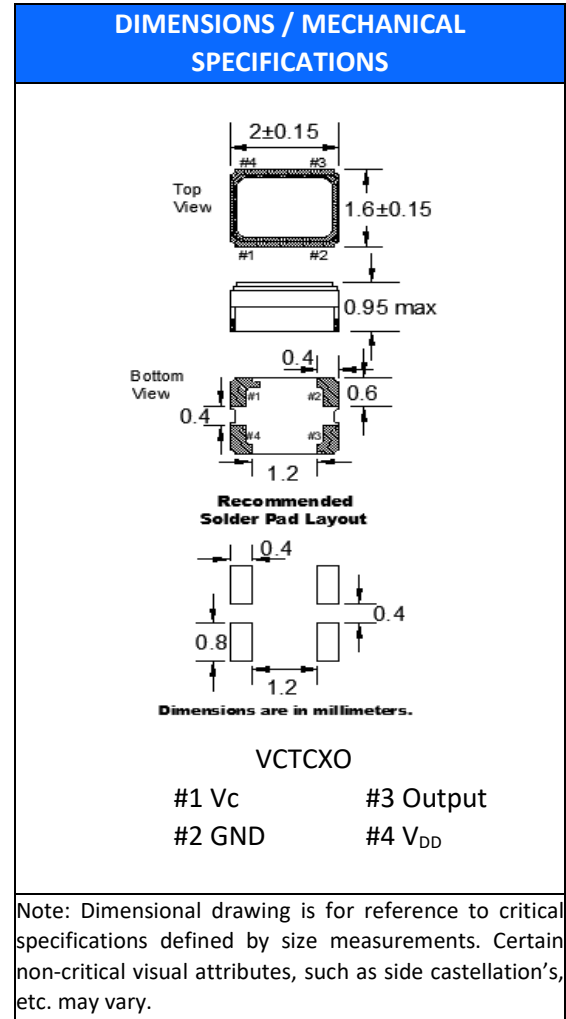


Features

- Analog Temperature Compensation

STANDARD SPECIFICATIONS	
PARAMETERS	MAX (Unless otherwise noted)
Frequency Range (Fo)	8.000 ~ 52.000MHz
Temperature Range	
Operating (T _{OPR})	-30°C ~ +85°C
Storage (T _{STG})	-40°C ~ +85°C
Supply Voltage (V _{DD})	1.8V±5% ~ 3.0V±5% ¹ (See options below)
Input Current (I _{DD})	
8.0 ~ 32.0MHz	1.5 mA
>32.0 ~ 52.0MHz	2.0 mA
Initial Frequency Tolerance @ 25°C (after reflow) (VCTCXO: V _c = 0.5VDD) ²	±2 PPM
Frequency Stability	
Over Temperature Range	See options below
Over Supply Voltage Change (V _{DD} ±5%)	±0.1 PPM
Over Load Change [10kΩ//10pF]±10%	±0.1 PPM
Output Waveform (Clipped Sine)	
Peak-to-Peak Level (V _{p-p})	0.8V min
Output Load	(10kΩ//10pF)±10%
Pullability (VCTCXO) ²	
V _{DD} = 1.8V: V _c = 0.9V±0.8V	
V _{DD} = 3.0V: V _c = 1.5V±1.5V	±8 ~ ±13 PPM nom
Aging per year	±1.0 PPM
Reflow Soldering Temp	260°C / 10 Seconds x 2
Moisture Sensitivity Level (MSL)	1
Termination Finish	Au over Ni

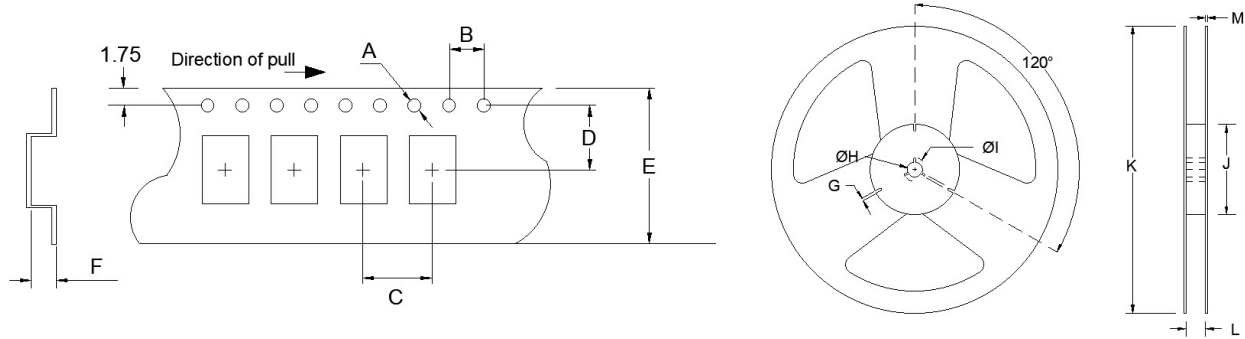


¹VCTCXO only operable at specified voltage.

²For proper operation, a control voltage (V_c) must be applied to pin 1 on VCTCXO's.

Note: A DC-Cut capacitor (1000pF) should be connected to the output.

TAPE SPECIFICATIONS (mm)							REEL SPECIFICATIONS (mm)						
A	B	C	D	E	F	REEL QTY	G	H	I	J	K	L	M
ø1.5	4.0	4.0	3.5	8.0	1.4	-T3 = 3,000 -T2 = 2,000 -T1 = 1,000	2.0	ø13	ø21	ø60	ø180	9.0	1.4



Available Options & Part Identification

Sample PN: FT1CVKRK38.4-T3

F	T1CV	K	R	K	38.4	-T3
<u>Fox</u>	<u>Model Number</u> T1CV = VCTCXO	<u>Tolerance</u> K = 1.8V±5% D = 3.0V±5%	<u>Stability</u> R = ±2.0PPM P = ±2.5PPM	<u>Operating Temperature</u> K = -30 to +85°C	<u>Frequency (MHz)</u>	<u>Values Added Options</u> Blank = Bulk T1 = 1,000 pcs T2 = 2,000 pcs T3 = 3,000 pcs

Line	Marking
1	YXXX XXX = frequency code
2	dot zzYMD (zz = serial# A0 ~ Z9, YMD = Year/Month/Day)

Reliability Test Conditions
Please contact Abracon Quality Assurance department