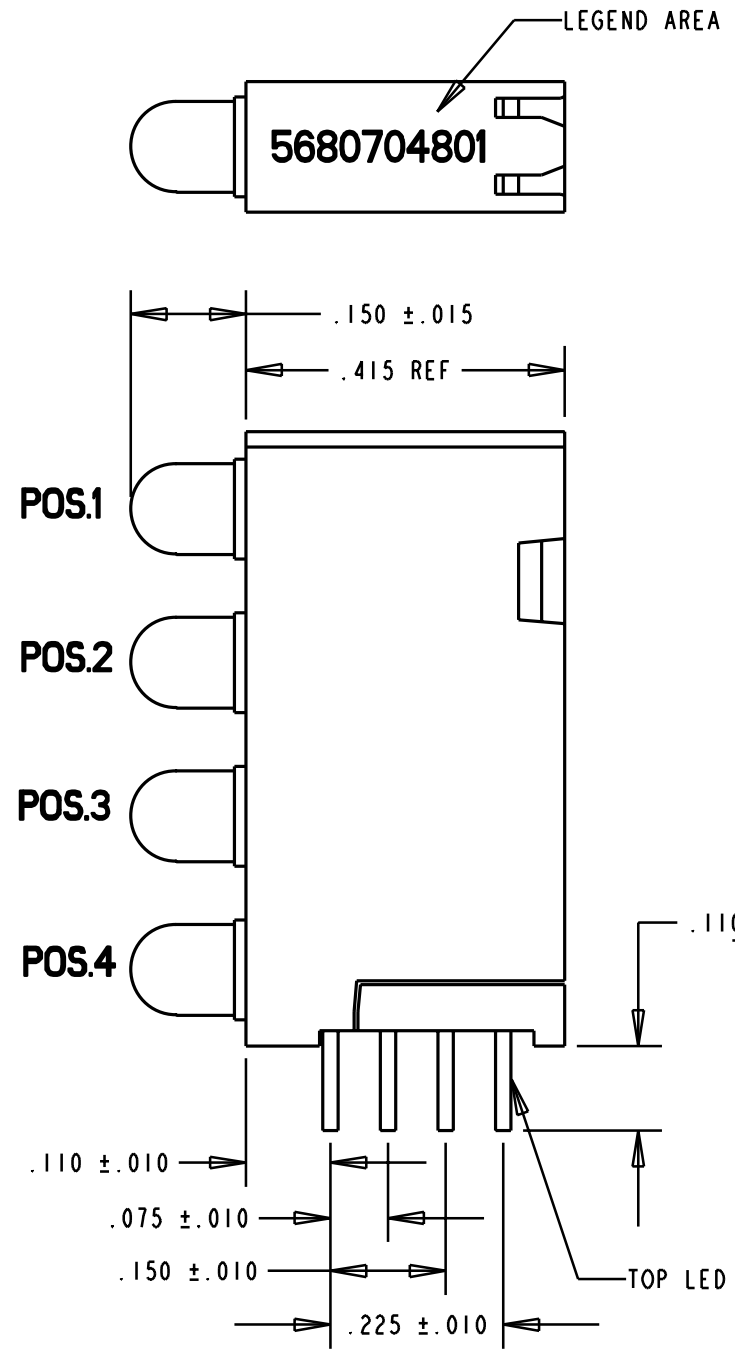
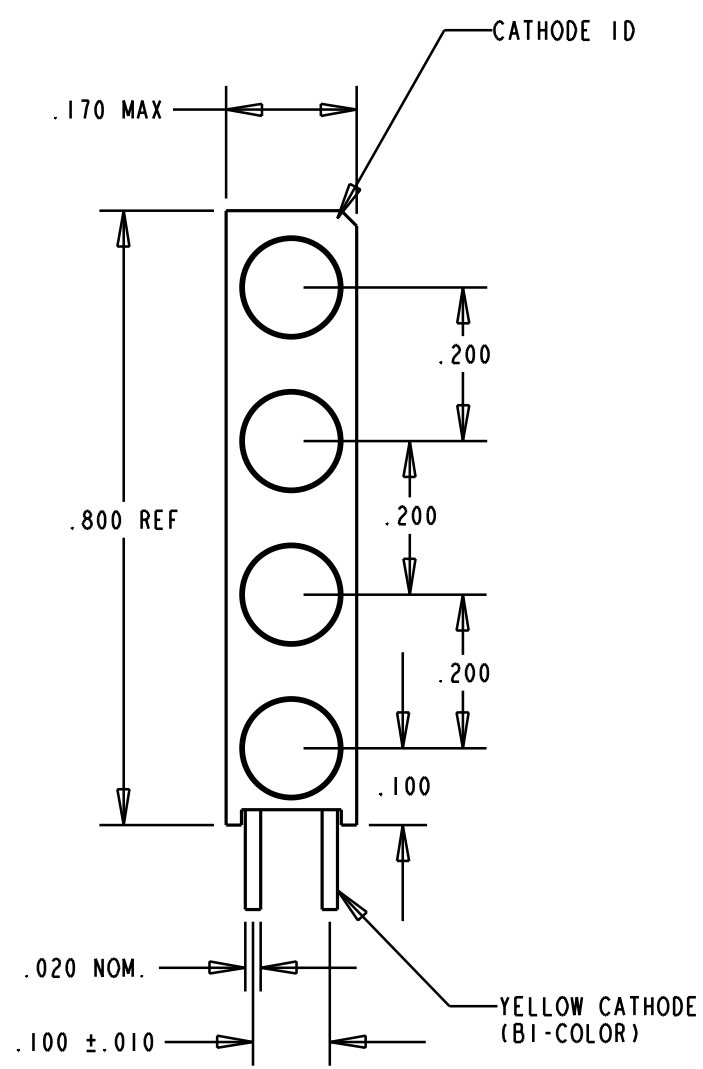


PART NUMBER and LEGEND	LED COLOR			
	POSITION 1	POSITION 2	POSITION 3	POSITION 4
568-0704-801	YELLOW / GREEN	YELLOW / GREEN	YELLOW / GREEN	YELLOW / GREEN

REV.	ECN NO.	REVISIONS	DRN.	CKD.	APP.	DATE
A	—	NEW RELEASE	DC	YC	NO	1-28-99
B	—	REMOVED "RED" FROM CATHODE ID. $\phi .043 \pm .002$ TYP(8) WAS TYP (4); $.118$ WAS $.115 \pm .004$. ADDED NOTES 2 AND 3.	DC	YC	NO	6-9-99
C	—	CONVERTED TO "BOTTOM INSERT"	TC			



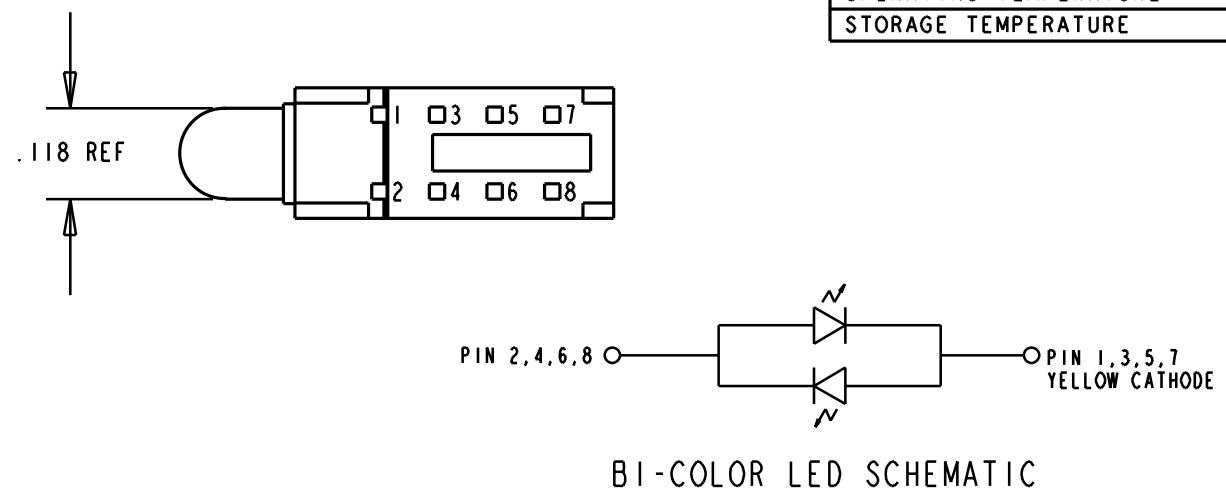
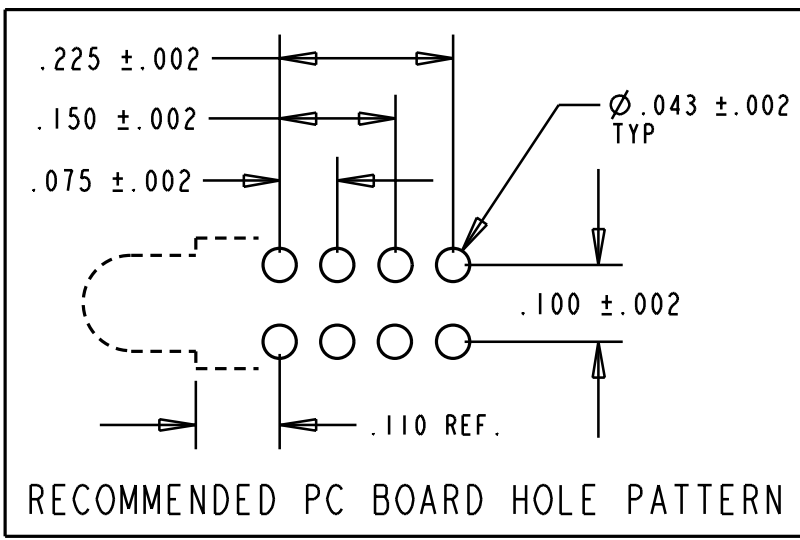
NOTES:

- LEADS TO FIT INTO HOLES SPACED AS PER HOLE PATTERN
- LED LEAD DIMENSIONS SHOWN ARE MEASURED AT HOUSING EXIT.
- PIN NUMBERS FOR REFERENCE ONLY, DESIGNATION NON-EXISTENT ON PARTS.
- DIALIGHT PART NUMBER: 568-0704-801

LED COLOR = GRN/YEL BI-COLOR						
OPERATING CHARACTERISTICS AT 25°C AMBIENT						
CHARACTERISTICS	COLOR	MIN	TYP	MAX	UNITS	TEST CONDITIONS
LUMINOUS INTENSITY	GREEN	2.5	6.3		mcd	$I_f = 10$ mA
	YELLOW	2.5	4.3			
FORWARD VOLTAGE	GREEN		2.1	2.8	V	$I_f = 20$ mA
	YELLOW		2.1	2.8		
PEAK WAVELENGTH	GREEN		565		nm	
	YELLOW		585			
VIEWING ANGLE	GREEN		80		DEGREES	
	YELLOW					

ABSOLUTE MAXIMUM RATINGS AT 25°C AMBIENT

	GREEN	YELLOW	UNITS
POWER DISSIPATION	100	60	mW
DERATE LINEARLY FROM 50°C	0.4	0.25	mA/°C
CONTINUOUS FORWARD CURRENT	30	20	mA
PEAK FORWARD CURRENT (1/10 DUTY CYCLE, 0.1 ms PULSE WIDTH)	120	80	mA
LEAD SOLDERING TEMPERATURE, 5 SEC., 1/16" FROM BODY	260		°C
OPERATING TEMPERATURE	-55 TO +100		°C
STORAGE TEMPERATURE	-55 TO +100		°C



THIS DRAWING AND THE CONTENTS HEREIN ARE CONFIDENTIAL AND THE SOLE PROPERTY OF DIALIGHT. REPRODUCTION OF THIS DRAWING OR CONSTRUCTION OF ANY PARTS WITHIN THIS DRAWING ARE FORBIDDEN WITHOUT THE WRITTEN CONSENT OF DIALIGHT.

SCALE 4:1 ALL DIM'S IN: INCHES	DRAWING NUMBER C-16397	REV C
TOLERANCES: UNLESS OTHERWISE SPECIFIED FRACTIONS: ±1/64 DECIMALS (.XX): ±.020 DECIMALS (.XXX): ±.015 DECIMALS (.XXXX): ±.010 ANGLES: ±3°	TITLE STANDARD 4X1 CBI BLOCK	
FINISH:	MATERIAL	
FSCM 83330	Dialight	1913 ATLANTIC AVE. MANASQUAN, N.J. 08736
	SHEET OF	FAMILY TABLE: