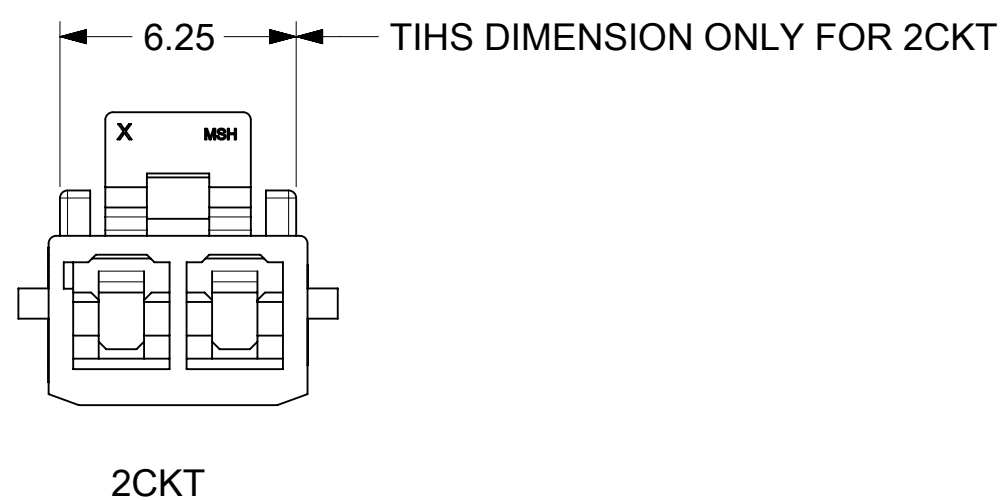
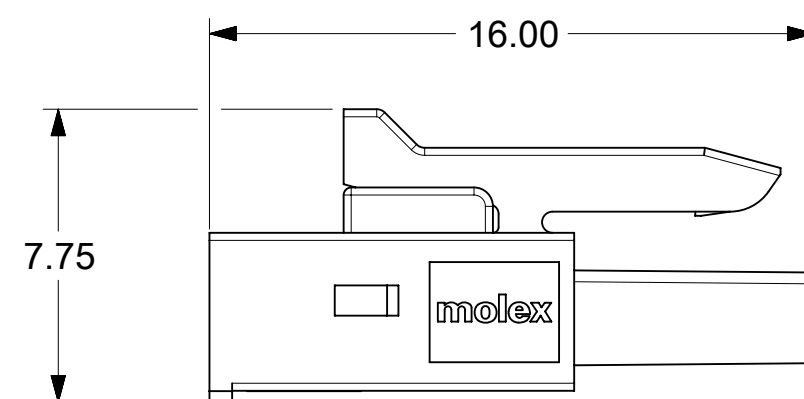
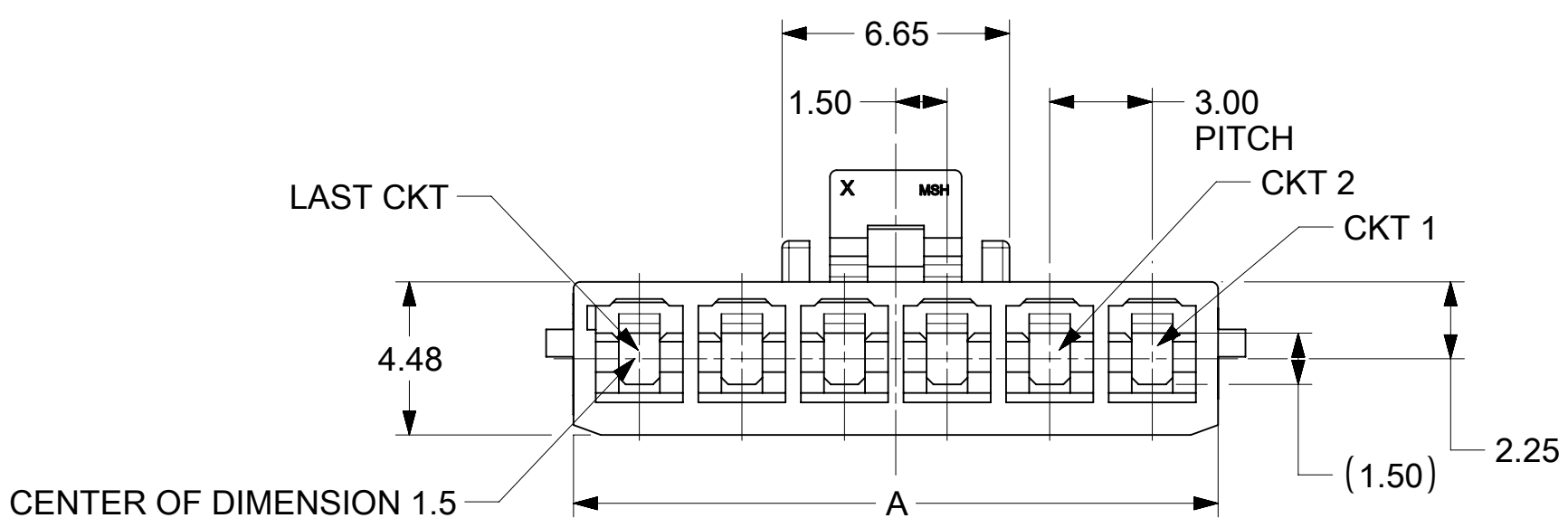
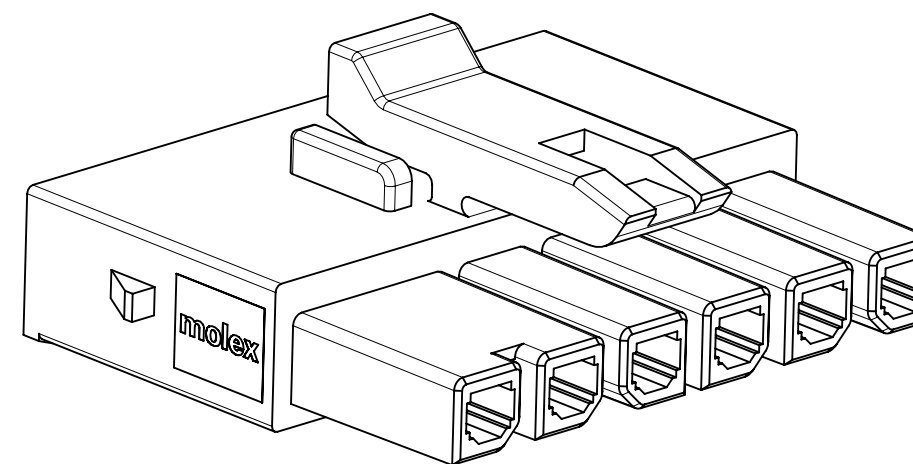
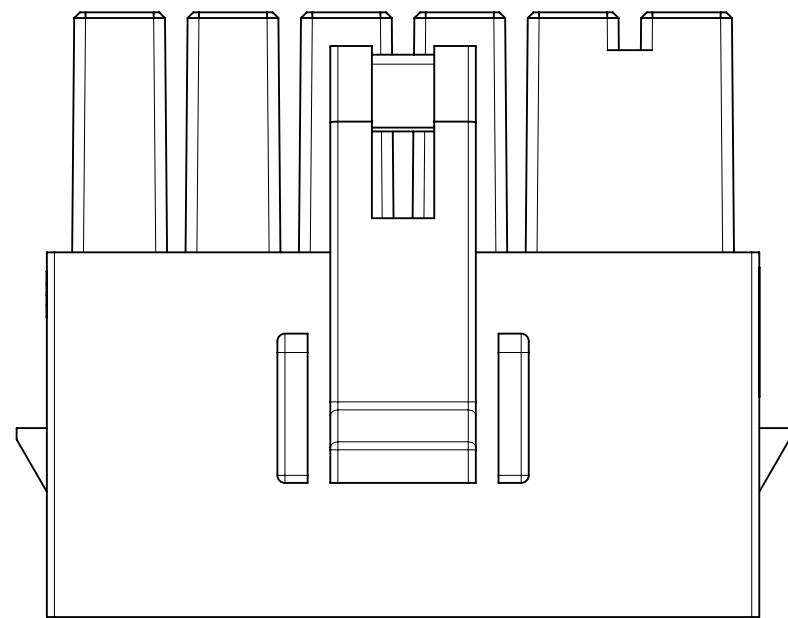


CIRCUIT	PART NUMBER	A
2	215759-1002	6.85
3	215759-1003	9.85
4	215759-1004	12.85
5	215759-1005	15.85
6	215759-1006	18.85
7	215759-1007	21.85
8	215759-1008	24.85



**LEGEND**

SERIES NO. 215759 - \* \* \* \*

MATERIAL OPTION \_\_\_\_\_

CKT NO. \_\_\_\_\_

**NOTES:**

1. MATERIALS: PA66 UL RATED 94V-0, GLOW WIRE, COLOR: BLACK
2. PRODUCT SPECIFICATION: 2064600000-PS
3. PRODUCT TEST SUMMARY: 2157590005-TS
4. PACKAGING SPECIFICATION: 2157590003-PK
5. PARTS CONFORMS TO CLASS 'B' REQUIREMENTS OF COSMETIC SPECIFICATION PS-45499-002.
6. THIS HOUSING TO BE USED WITH MOLEX FEMALE TERMINAL 206460
7. THIS PART MATES WITH 216571 OR 215760
8. THIS PART MATES WITH TPA 206462

FUNCTIONAL SYMBOLS $\frac{F}{A} = 0$ $\frac{F}{C} = 0$ $\frac{F}{P} = 0$ DIVISIONAL SYMBOLS 4 PLACES ± 3 PLACES ± 2 PLACES ± 0.25 1 PLACE ± 0.35 0 PLACES ±	THIS DRAWING CONTAINS INFORMATION THAT IS PROPRIETARY TO MOLEX ELECTRONIC TECHNOLOGIES, LLC AND SHOULD NOT BE USED WITHOUT WRITTEN PERMISSION		CURRENT REV DESC:		  MICRO-FIT PLUS SR RECEPTACLE HOUSING  PRODUCT CUSTOMER DRAWING	
	DIMENSION UNITS: <b>mm</b> SCALE: <b>5:1</b>	GENERAL TOLERANCES (UNLESS SPECIFIED)		EC NO: 661422		
	ANGULAR TOL ± °	4 PLACES ±		DRWN: HPAN18		2021/03/29
		3 PLACES ±		CHK'D: YXZHENG		2021/04/20
	2 PLACES ± 0.25		APPR: YXZHENG	2021/04/20	DOCUMENT NUMBER	
	1 PLACE ± 0.35		INITIAL REVISION:		2157590002	
	0 PLACES ±		DRWN: HPAN18	2020/10/13	PSD 000 A1	
	DRAFT WHERE APPLICABLE MUST REMAIN WITHIN DIMENSIONS		THIRD ANGLE PROJECTION	DRAWING	SERIES	
				C-SIZE	215759	
					MATERIAL NUMBER	
					SEE NOTES	
					CUSTOMER	
					GENERAL MARKET	
					SHEET NUMBER	
					1 OF 1	

DOCUMENT STATUS	P1	RELEASE DATE	2021/04/20	14:41:59
-----------------	----	--------------	------------	----------