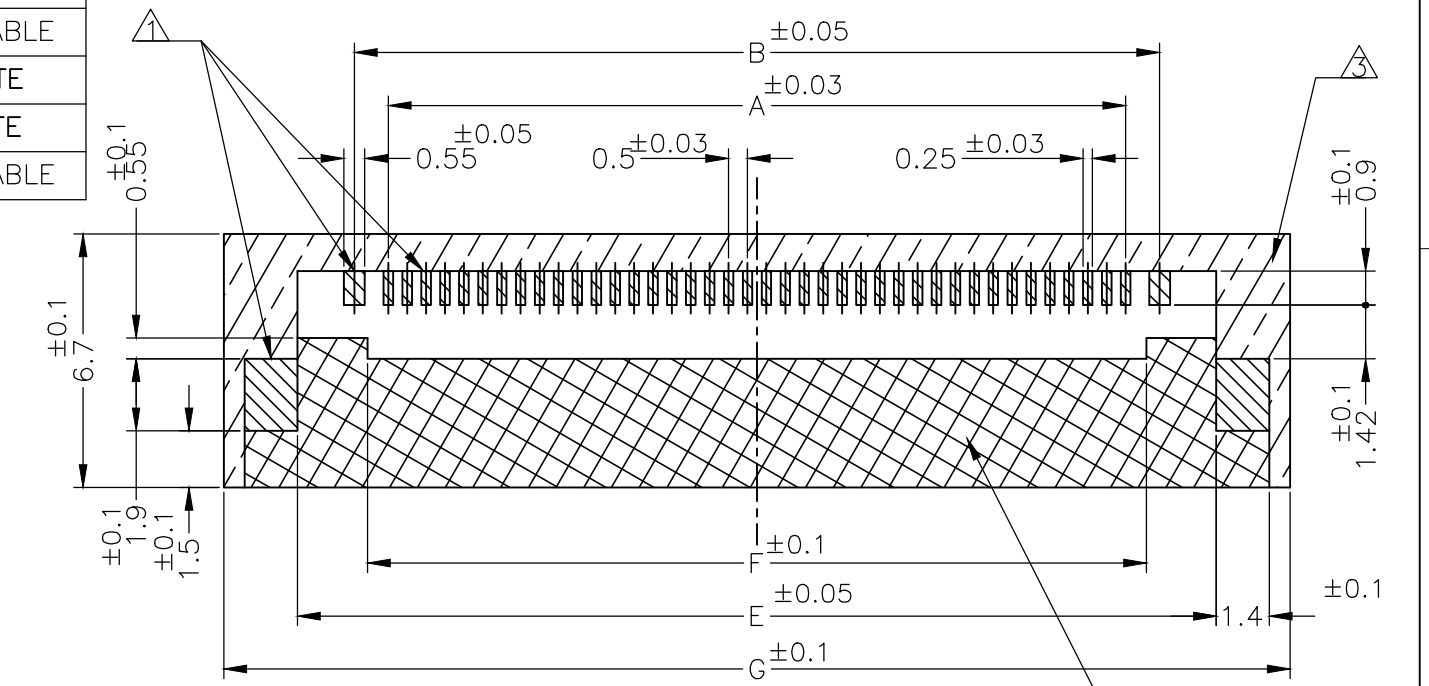
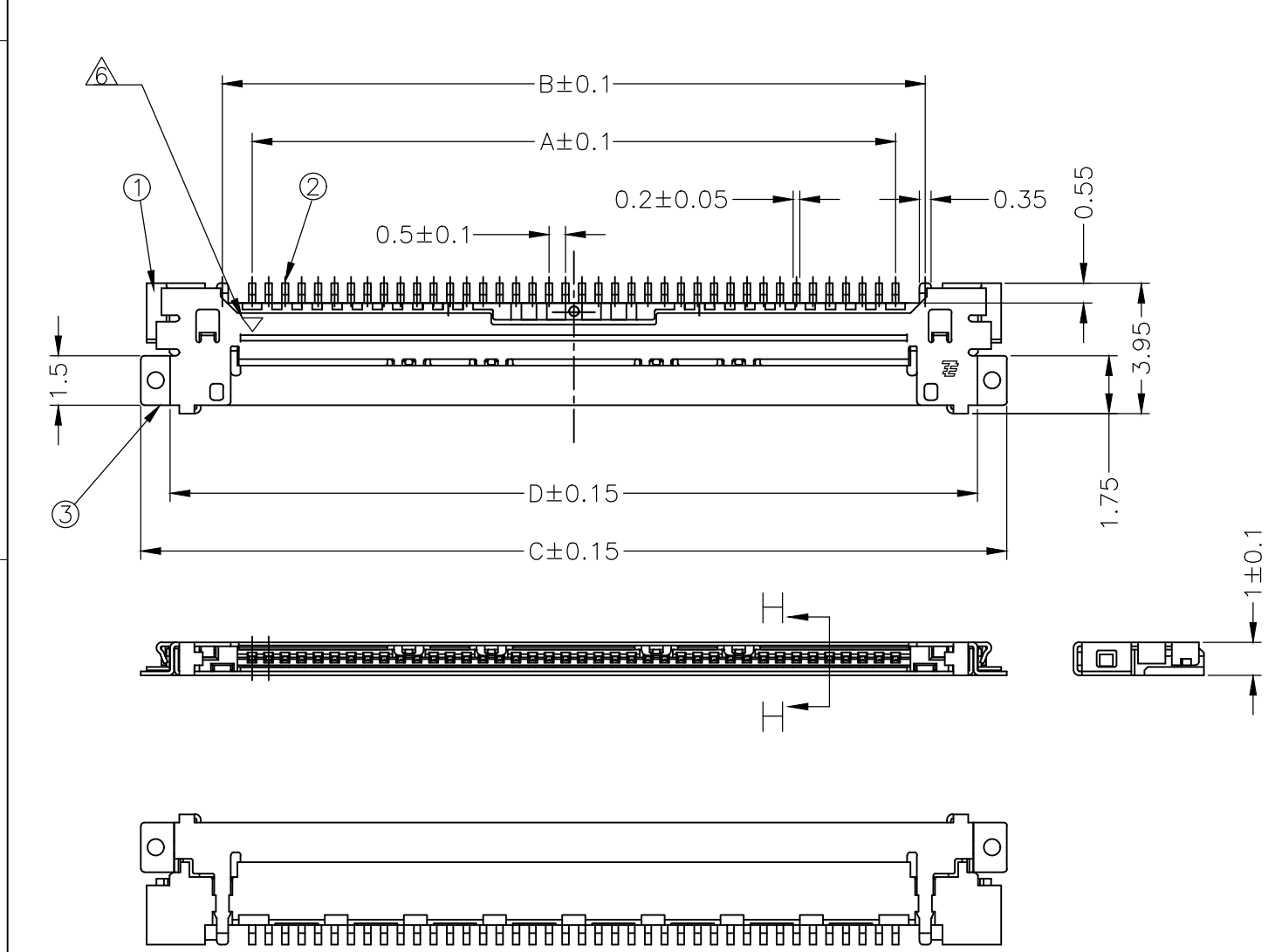


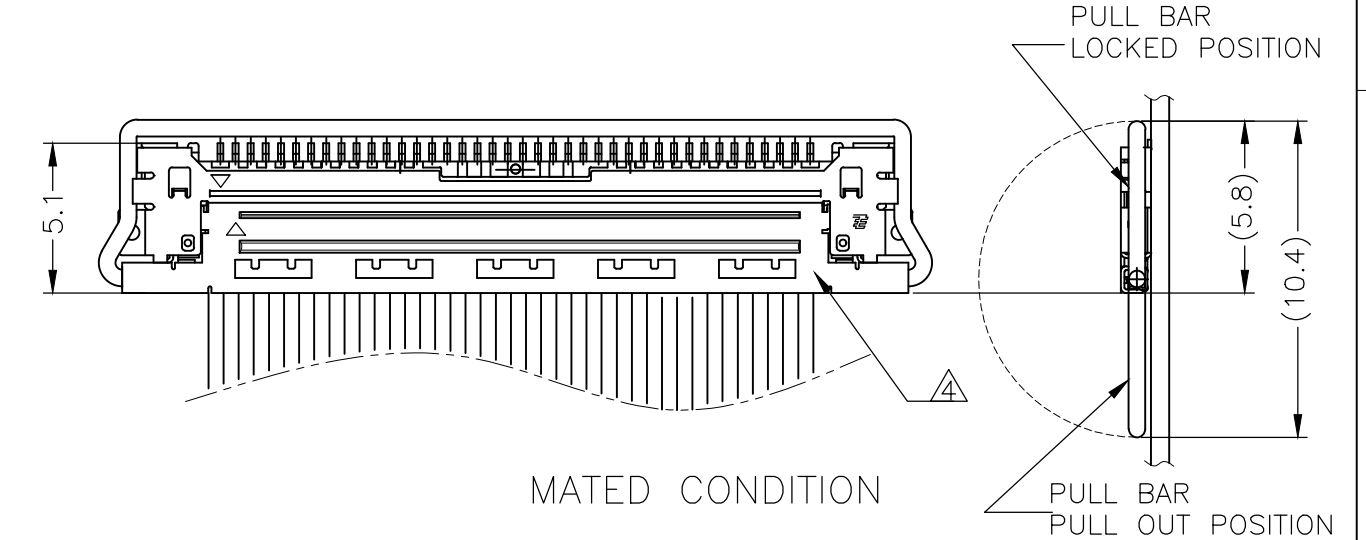
THIS DRAWING IS UNPUBLISHED.		RELEASED FOR PUBLICATION								
© COPYRIGHT - By -		ALL RIGHTS RESERVED.								
PART NO.	POS NO.	A	B	C	D	E	F	G	DATUM MARK \triangle	TOOLING STATUS
2069716-3	40	19.5	21.3	26.25	24.47	24.3	20.6	28.2	WITHOUT DATUM MARK	OBSOLETE
2069716-2	30	14.5	16.3	21.25	19.47	19.3	15.6	23.2		NOT AVAILABLE
2069716-1	20	9.5	11.3	16.25	14.47	14.3	10.6	18.2		NOT AVAILABLE
5-2069716-3	40	19.5	21.3	26.25	24.47	24.3	20.6	28.2	WITH DATUM MARK	OBSOLETE
5-2069716-2	30	14.5	16.3	21.25	19.47	19.3	15.6	23.2		OBSOLETE
5-2069716-1	20	9.5	11.3	16.25	14.47	14.3	10.6	18.2		NOT AVAILABLE

REVISIONS				
P	LTR	DESCRIPTION	DATE	APVD
	C	REVISED (ECO-19-000017)	14JAN2019	K.G W.H

5-2069716-3 AS SHOWN

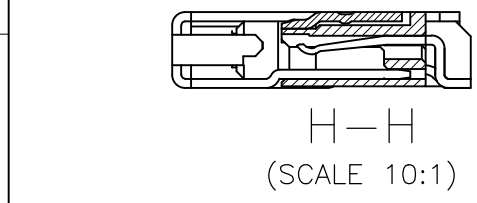


REFERENCE PWB LAYOUT

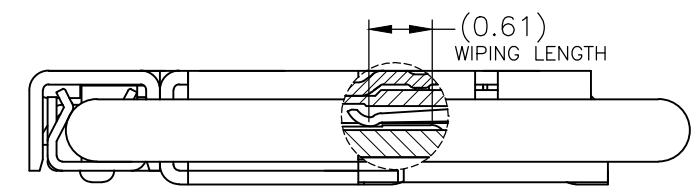


MATED CONDITION

③	SHELL	COPPER ALLOY, Au OVER Ni
②	CONTACT	COPPER ALLOY, Au OVER Ni
①	HOUSING	HIGH TEMP. THERMOPLASTIC, UL94V-0, BLACK
ITEM	PART NAME	MATERIAL & FINISH



H-H
(SCALE 10:1)



MATED CONDITION
(REFERENCE)

- \triangle 1 SOLDERING AREA
- \triangle 2 RESIST OR GND AREA
- \triangle 3 PULL BAR MOVEMENT AREA
- \triangle 4 THE CONNECTOR SHOULD BE PLUGGED WITH 2069715-3.
- 5. COPLANARITY 0.1MAX
- \triangle 6 DATUM MARK
- 7. INSTRUCTION SHEET 411-78355

THIS DRAWING IS A CONTROLLED DOCUMENT.		DWN Y.SHINO 18SEP2009
DIMENSIONS: mm		CHK S.KAJINUMA 18SEP2009
TOLERANCES UNLESS OTHERWISE SPECIFIED:		APVD S.KAJINUMA 18SEP2009
0 PLC	± -	NAME
1 PLC	± -	Y.SHINO
2 PLC	± - ±0.2	S.KAJINUMA
3 PLC	± - ±2°	S.KAJINUMA
4 PLC	± -	PRODUCT SPEC
ANGLES	± -	APPLICATION SPEC
FINISH		108-78659
MATERIAL		WEIGHT

		TE Connectivity	
		NAME	
LCD COAXIAL EMBEDDED DISPLAY INTERFACE (LCEDI) 0.5mm PITCH RECEPTACLE ASSEMBLY		SIZE	CAGE CODE
A3		00779	C-2069716
CUSTOMER DRAWING		SCALE	SHEET
		5:1	1 OF 2
		REV	C

THIS DRAWING IS UNPUBLISHED.

RELEASED FOR PUBLICATION

ALL RIGHTS RESERVED.

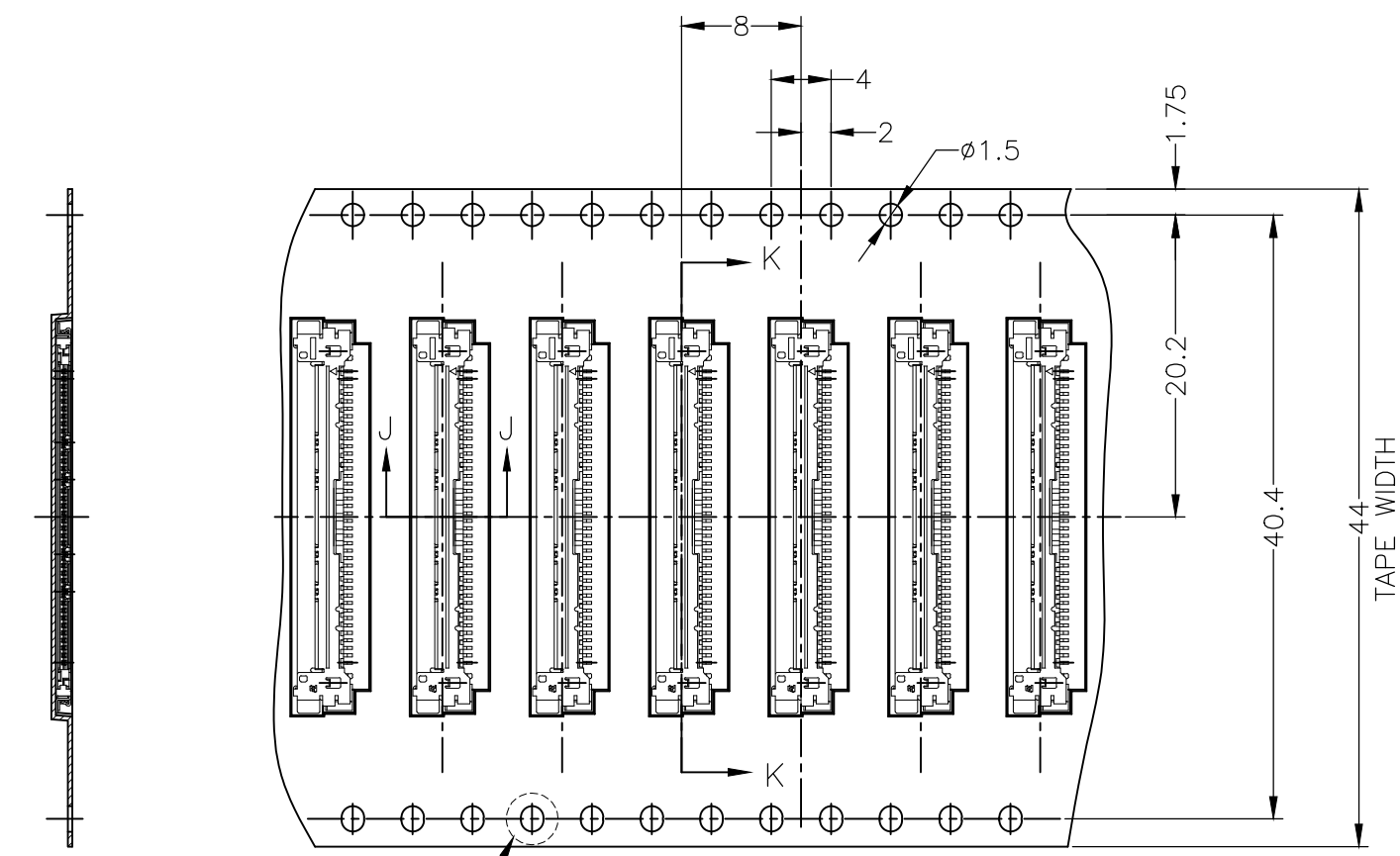
© COPYRIGHT - By -

REVISIONS

P	LTR	DESCRIPTION	DATE	DWN	APVD
-	-	SEE SHEET 1	-	-	-

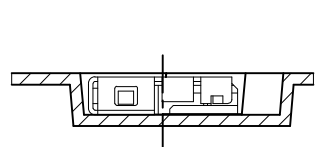
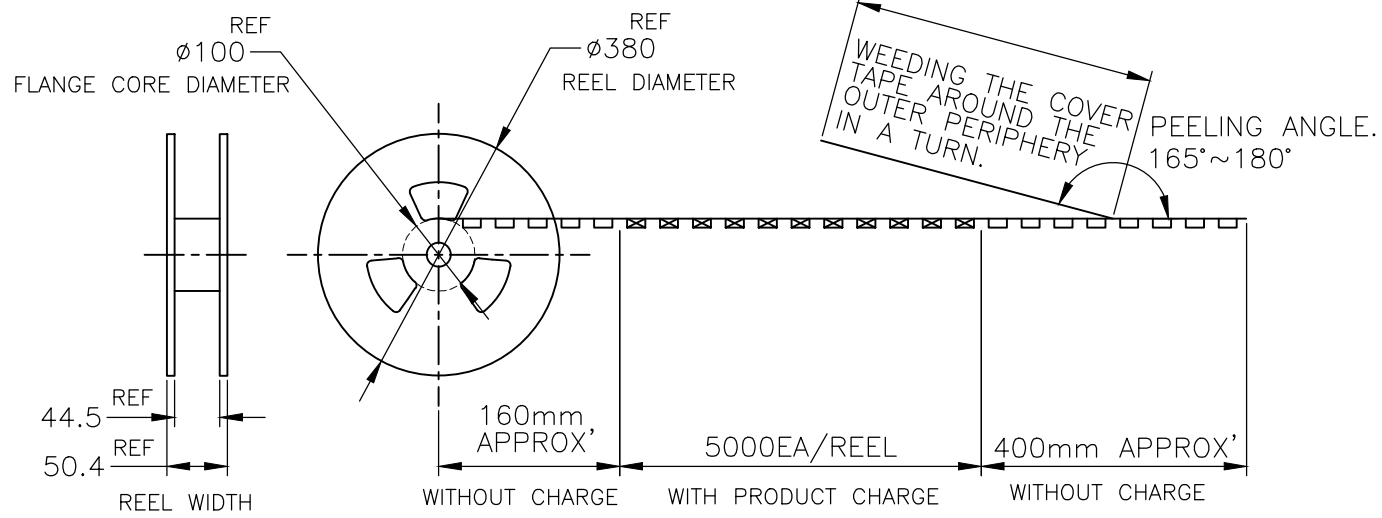
EMBOSS PACKING CONDITION

DIRECTION OF TOP OF REEL →

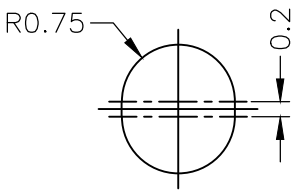


K-K

DETAIL L



J-J SCALE 5:1



DETAIL L SCALE 10:1

THIS DRAWING IS A CONTROLLED DOCUMENT.		DWN	TE Connectivity		
DIMENSIONS: mm		CHK	NAME		
		APVD	LCD COAXIAL EMBEDDED DISPLAY INTERFACE (LCEDI) 0.5mm PITCH CONNECTOR RECEPTACLE ASSEMBLY		
TOLERANCES UNLESS OTHERWISE SPECIFIED:		PRODUCT SPEC	SIZE	CAGE CODE	DRAWING NO
0 PLC ± 0.3	1 PLC ± 0.3	APPLICATION SPEC	A3	00779	C-2069716
2 PLC ± 0.3	3 PLC ± 0.3	WEIGHT	RESTRICTED TO		
4 PLC ± -	ANGLES ± 3°	CUSTOMER DRAWING	SCALE	SHEET	REV
MATERIAL	FINISH	2:1		2 of 2	C