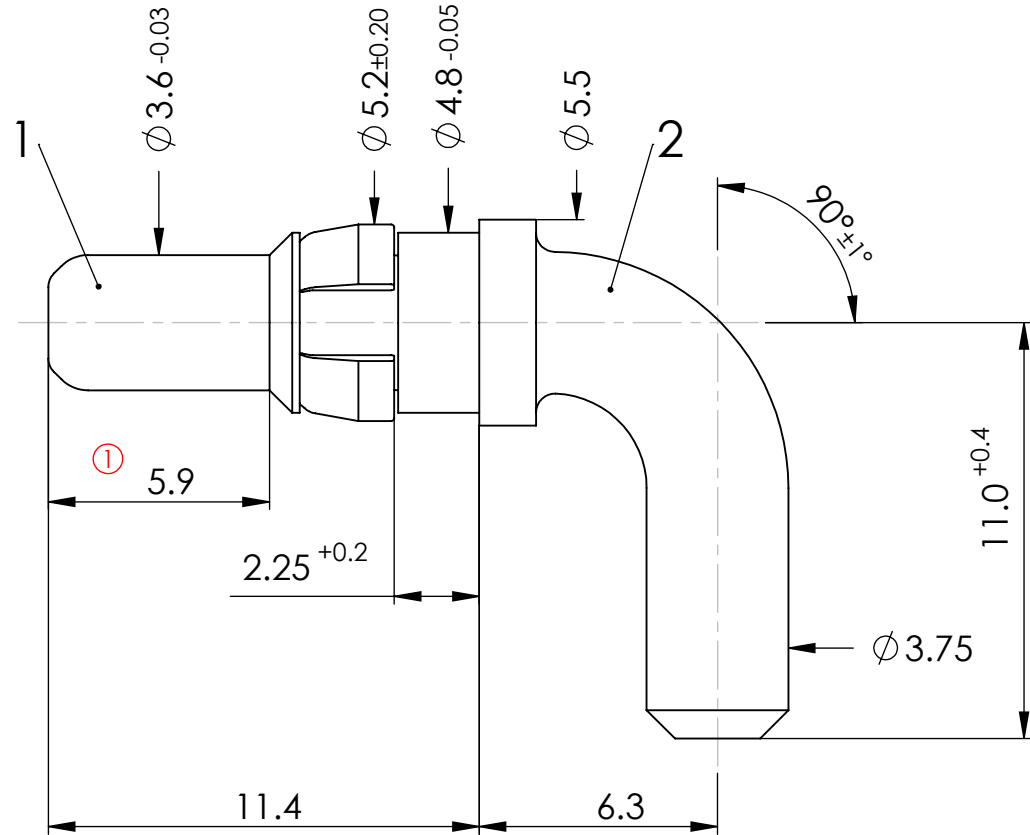
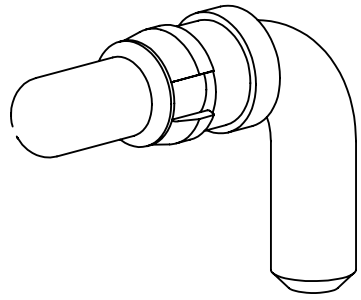


COMMENT:  
 ALL RIGHTS ARE RESERVED BY US FOR THIS DRAWING. WITHOUT OUR PRIOR CONSENT,  
 IT MAY NEITHER BE DUPLICATED NOR MADE AVAILABLE TO A THIRD PARTY,  
 AND IT ALSO MAY NOT BE IMPROPERLY USED BY THE RECEIVER, OR A THIRD PARTY.



CURRENT	40 A	<b>HIGH POWER CONTACT</b>		SCALE	5:1	DATA SHEET	
FOR	D-Sub	DRAWN		NAME / DATE			
DIMENSIONS IN MM		DRAWN		DBocan			
		27-08-2003					
MATERIAL + FINISH SEE EXTRA SHEET		CHECKED		ffuhrmann			
		29-05-2006					
UNLESS OTHERWISE SPECIFIED DIMENSIONS FOR REFERENCE ONLY						PART NO.	
						FMP009P	
2	08-08-2006	11340				2	
REV.	DATE	INDEX		ORIGINAL: DIN A4-DRAWING AS A FILE		REPLACEMENT FOR:	

1

2

PAGE: 1/1