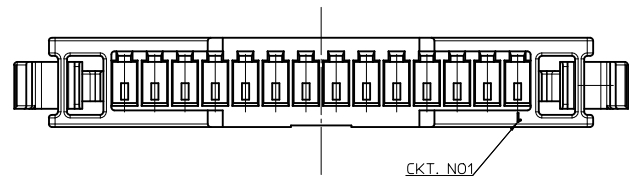
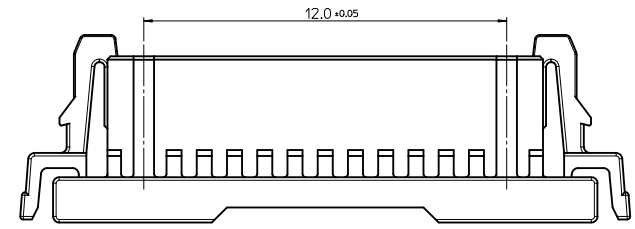
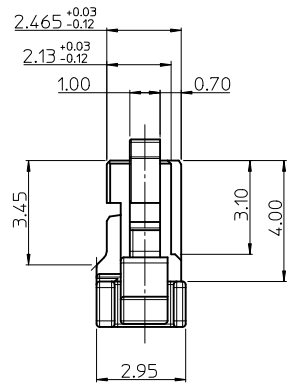
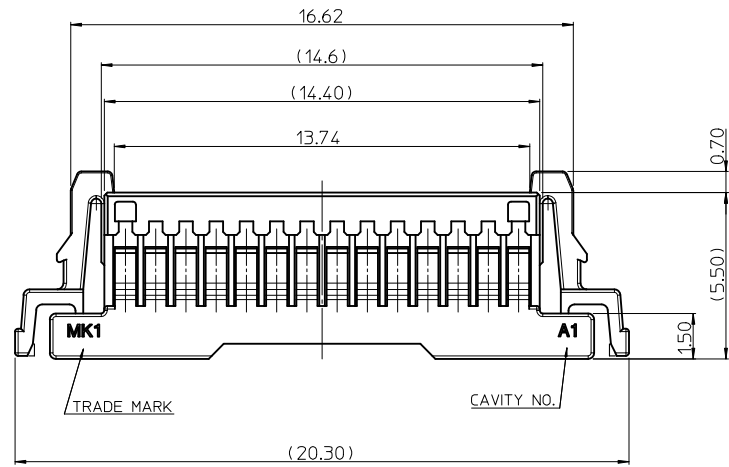
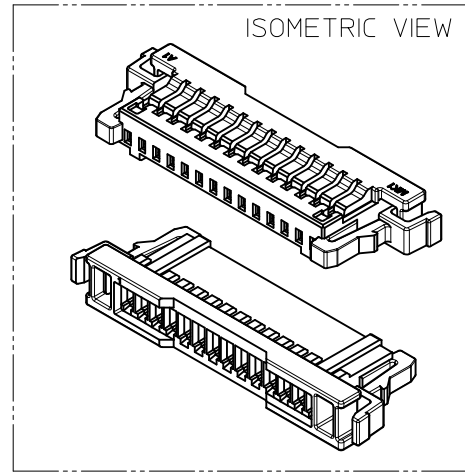


TERMINAL ASSEMBLY DRAWING
(REFERANCE)



- NOTES
- MATED WITH : 104139-1410
 - MATERIALS
HOUSING : LIQUID CRYSTAL POLYMER,
COLOR OF NATURAL
 - APPLICABLE TERMINAL : 104547-8003

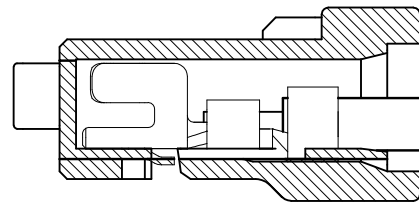
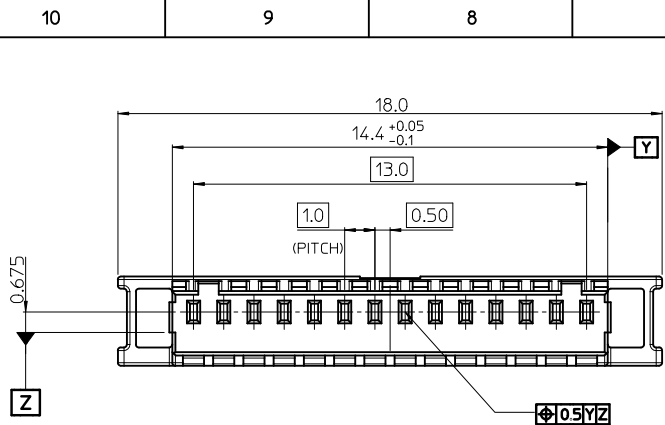
NEW RELEASED
EC NO: KOR2012-0112 2012/04/21
DRWN: IHYOU
CHKD: SH. CHU
APPR: YSKIM02 2012/04/25

QUALITY SYMBOLS	DESCRIPTION
	=0
	=0

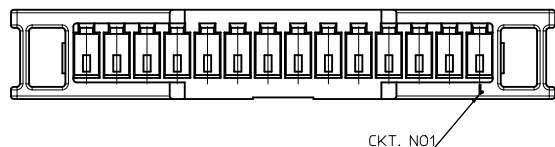
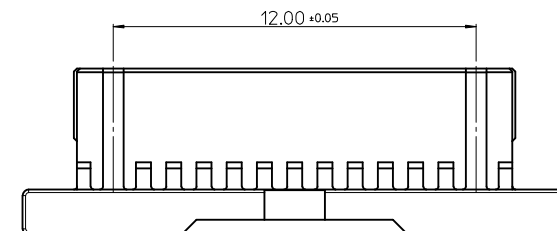
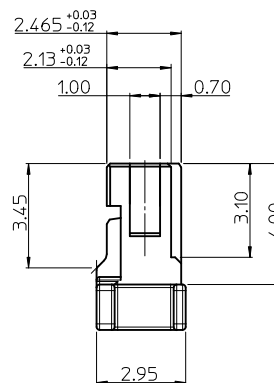
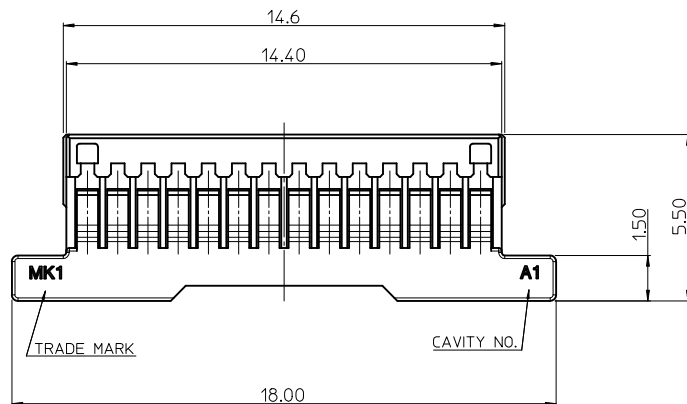
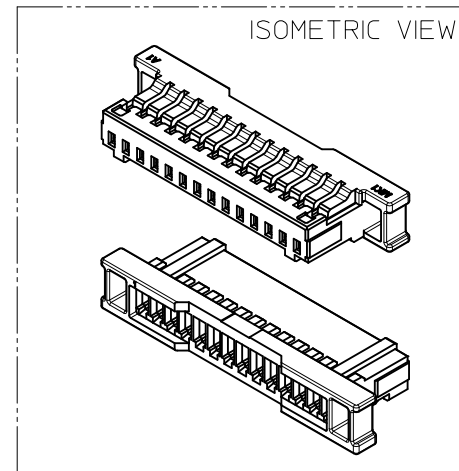
GENERAL TOLERANCES (UNLESS SPECIFIED)	
	mm INCH
4 PLACES	± 0.15 ± ---
3 PLACES	± 0.20 ± ---
2 PLACES	± 0.25 ± ---
1 PLACE	± 0.30 ± ---
ANGULAR ± 1 °	
DRAFT WHERE APPLICABLE MUST REMAIN WITHIN DIMENSIONS	

DIMENSION STYLE	
MM ONLY	
DRAWN BY	DATE
I.H. YOU	2011/04/30
CHECKED BY	DATE
SH. CHU	2011/04/30
APPROVED BY	DATE
YSKIM02	2012/04/25
MATERIAL NO.	
1041381400	
SIZE	
A3	

SCALE	6:1	DESIGN UNITS	METRIC	THIRD ANGLE PROJECTION
ORDER NUMBER		104138-1400		
TITLE				
1.0 W-T-B CONN.-14P HOUSING LOCKING TYPE				
MOLEX INCORPORATED				
DOCUMENT NO.			SHEET NO.	
SD-104138-001			1 OF 1	
THIS DRAWING CONTAINS INFORMATION THAT IS PROPRIETARY TO MOLEX INCORPORATED AND SHOULD NOT BE USED WITHOUT WRITTEN PERMISSION				



TERMINAL ASSEMBLY DRAWING
(REFERANCE)



NOTES

- MATED WITH : 104139-1410
- MATERIALS
HOUSING : LIQUID CRYSTAL POLYMER,
COLOR OF NATURAL
- APPLICABLE TERMINAL : 104547-8003

NEW RELEASED
EC NO: KOR2012-0112
DRWN: IHYOU
CHKD: SH. CHU
APPR: YSK1M02

REV	DESCRIPTION
A	2012/04/25

QUALITY SYMBOLS	GENERAL TOLERANCES (UNLESS SPECIFIED)
$\nabla = 0$	
$\nabla \square = 0$	
	mm INCH
	4 PLACES ± --- ± ---
	3 PLACES ± 0.15 ± ---
	2 PLACES ± 0.20 ± ---
	1 PLACE ± 0.25 ± ---
	ANGULAR ± 1 °
	DRAFT WHERE APPLICABLE MUST REMAIN WITHIN DIMENSIONS

DIMENSION STYLE		SCALE
MM ONLY		6:1
DRAWN BY	DATE	TITLE
I.H. YOU	2011/07/08	1.0 W-T-B CONN.-14P HOUSING JIG TYPE
CHECKED BY	DATE	
SH. CHU	2011/07/08	
APPROVED BY	DATE	
YSK1M02	2012/04/25	
MATERIAL NO.		DOCUMENT NO.
1041381410		SD-104138-002
SIZE	THIS DRAWING CONTAINS INFORMATION THAT IS PROPRIETARY TO MOLEX INCORPORATED AND SHOULD NOT BE USED WITHOUT WRITTEN PERMISSION	
A3		

ORDER NUMBER	104138-1410
DESIGN UNITS	THIRD ANGLE PROJECTION
METRIC	
MOLEX INCORPORATED	
SHEET NO.	1 OF 1