

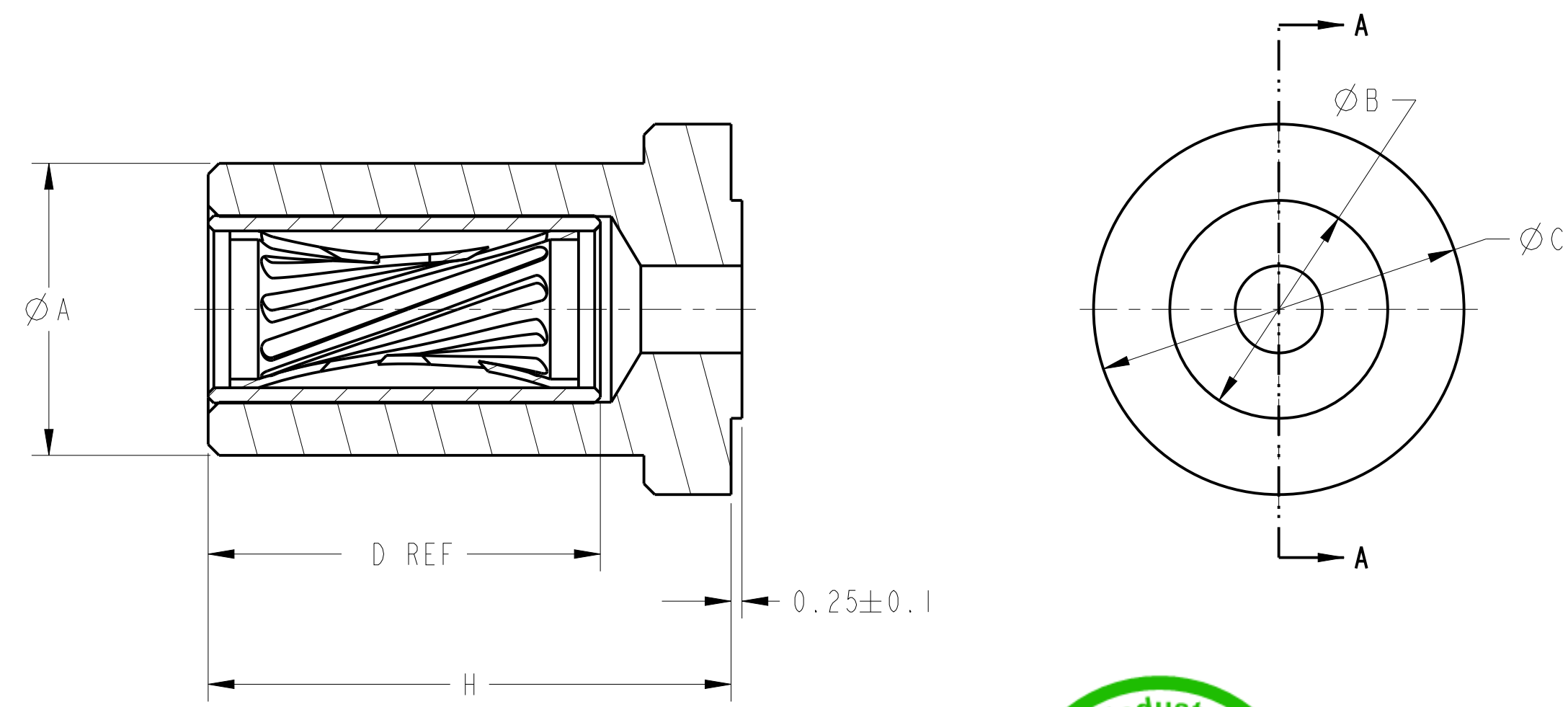
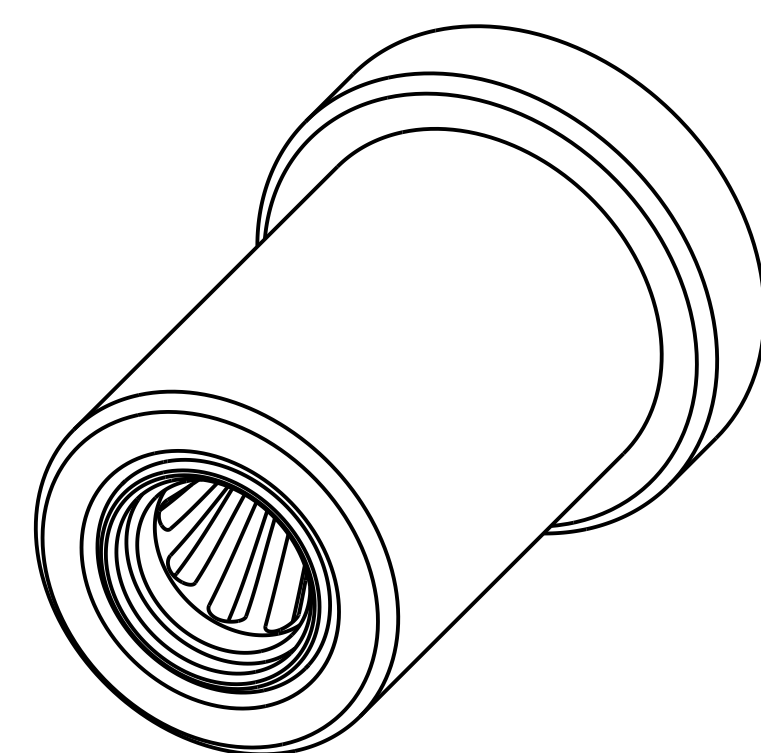
GENERAL TOLERANCE

DIM. RANGE	0.5 ~ 3	> 3 ~ 6	> 6 ~ 30	> 30 ~ 120	> 120 ~ 400
TOLERANCE	±0.1	±0.1	±0.2	±0.3	±0.5

CUSTOMER DRAWING

REVISIONS		
REV	DESCRIPTION	DATE
A	PRELIMINARY VERSION	2015-12-23
B	ADD PCB LAYOUT	2016-04-28
C	OPTIMIZE PCB LAYOUT	2016-06-12
D	ADD DIM"D" FOR REFERENCE	2016-07-13

PART NUMBER	∅A	∅B	∅C	D	H	RATED CURRENT	RADSOK SIZE
C10-737495-001	∅6.7	∅5	∅8.5	9	12	35A	ST 2.4MM
C10-737496-001	∅7.3	∅6	∅9	11	14.5	60A	ST 3.0MM
C10-737497-001	∅8.8	∅7	∅10.5	12.2	16.5	70A	ST 3.6MM
C10-737498-001	∅11.7	∅8	∅13.5	14.2	19	120A	ST 5.7MM
C10-737499-001	∅13.9	∅9	∅16.0	21	26.5	200A	ST 8.0MM



SECTION A-A  
SCALE 8.000



2. PCB LAYOUT IS AVAILABLE UPON REQUEST

1. THE REFERENCED PRODUCT IS IN COMPLIANCE WITH THE MAXIMUM CONCENTRATION VALUES(MCVS) AS SET BY ROHS 2.0 DIRECTIVE 2011/65/EU AND ANNEX II AMENDMENT DIRECTIVE (EU)2015/863.

NOTES:

THIS DOCUMENT CONTAINS PROPRIETARY INFORMATION AND SUCH INFORMATION MAY NOT BE DISCLOSED TO OTHERS FOR ANY PURPOSE OR USED FOR MANUFACTURING PURPOSES WITHOUT WRITTEN PERMISSION FROM THE AMPHENOL CORP.

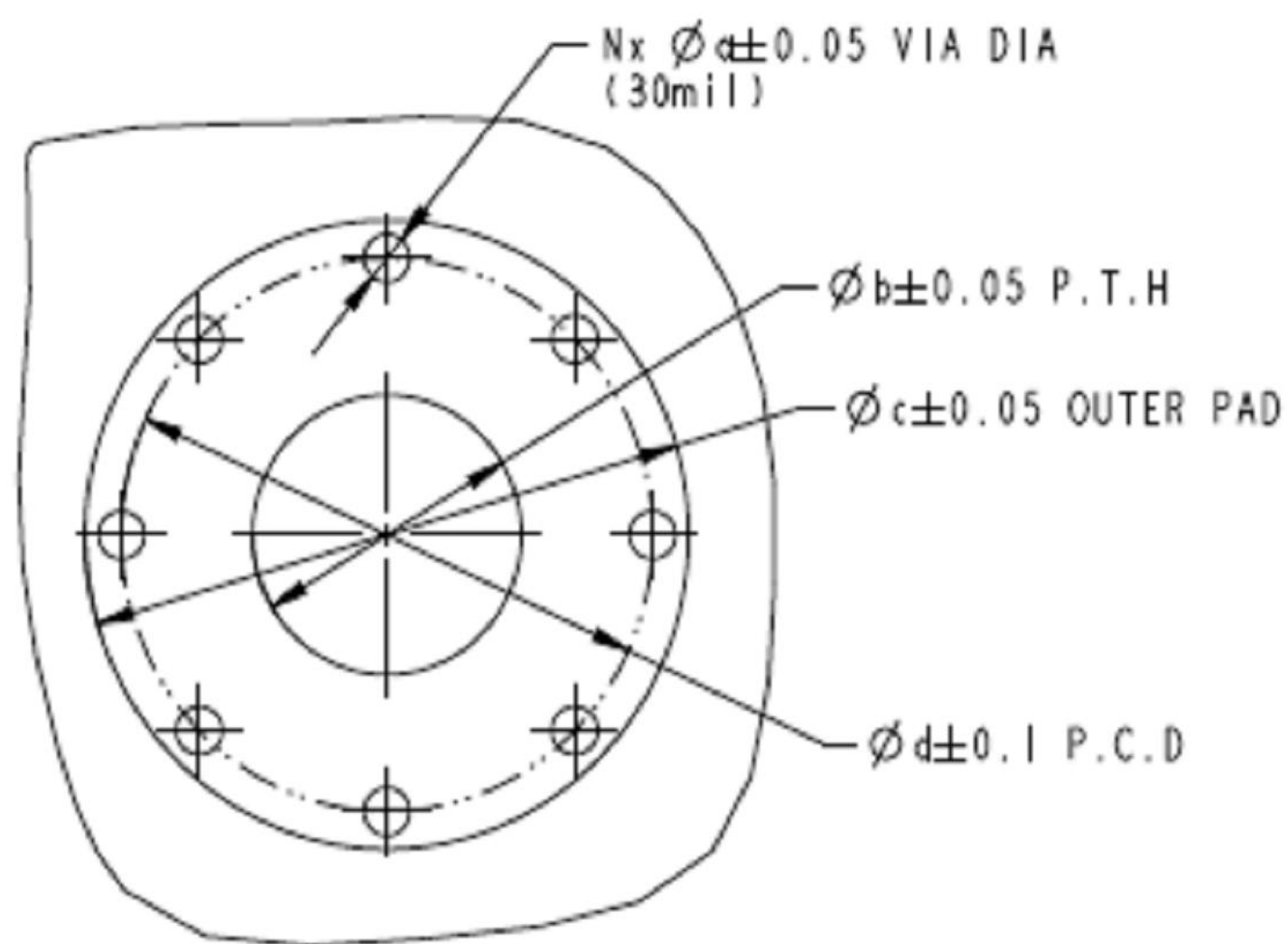
N/A	PRO/ENGINEER INFORMATION
NEXT ASSEMBLY	Pro/e Model Used:
<b>METRIC DOCUMENT</b>	Drawing Name:
	C10-73749X

UNLESS OTHERWISE SPECIFIED		SPECIFICATIONS		POS	QTY	PART NUMBER	DESCRIPTION	NOTE
LINEAR DIMENSIONS ARE IN: <b>MILLIMETERS</b>		MATERIAL SPEC. <b>COPPER</b>		APPROVALS		DATE	<b>AMPHENOL INDUSTRIAL OPERATIONS</b>	
TOLERANCES: ANGLES = ±2° DEFAULT LINEAR TOLERANCES SEE TABLE		PROCESS SPEC. <b>SILVER 150u" MIN OVER NICKEL</b>		PREPARED BY: EVANS JIANG		JUL-12-16	Amphenol Technology(Zhuhai)Co.,Ltd No.63, Xingnan Road, Sanzao Town, Jinwan, Zhuhai, PRC	
DIM. & TOL. PER ASME Y14.5M-1994; DRM PER MIL-DTL-31000; OTHER AMPHENOL STANDARDS: 9-9318		THIRD ANGLE PROJECTION		ENGINEER IN CHARGE: ROB WENG			<b>SMT RADSSERT ABOVE BOARD TYPE</b>	
LEGENDS: △=FLAG NOTE CALL OUT REFERENCE ONLY				DESIGN MANAGER: DERIC LI			SIZE <b>C</b>	CAGE CODE <b>77820</b>
				DESIGN ACTIVITY GROUP: C&I			REF: N/A	REV. <b>D</b>
						SCALE: 6.0	SHEET 1 OF 2	

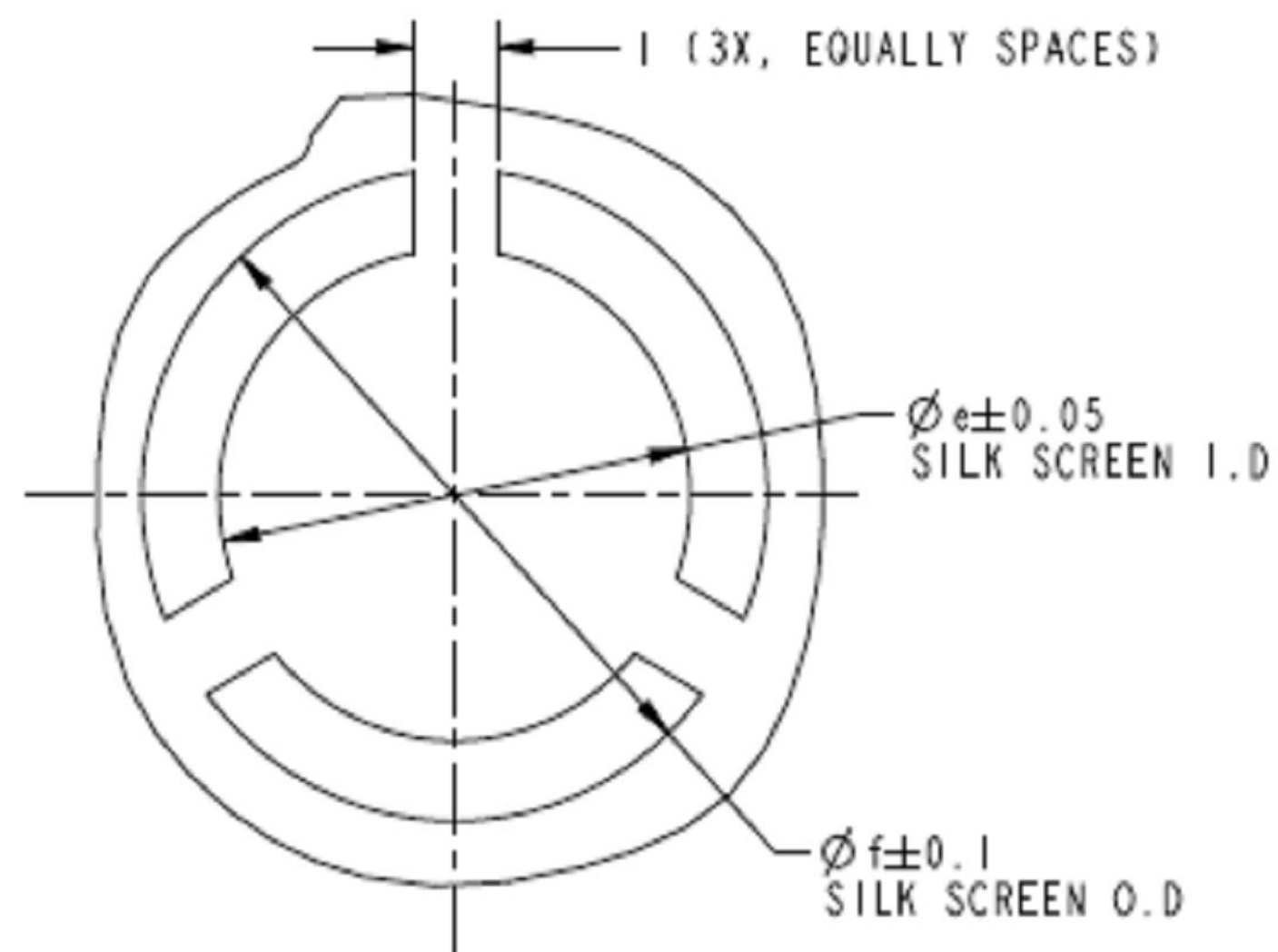
DOCUMENT NO. C10-7374( )-001  
 SHEET 1 OF 2  
 REV. D  
 C  
 B  
 A

REV. D  
 SHEET 1 OF 2  
 DOCUMENT NO. C10-7374( )-001  
 D  
 C  
 B  
 A

Radsert P/N	N (Quantity of Vias)	a (Via dia)	b (P.T.H)	c (Outer Pad)	d (Via P.C.D)	e (Silk sreen I.D)	f (Silk sreen O.D)
C10-737495-001	8	0.76	3.5	12	11	5.15	10
C10-737496-001	13	0.76	4.5	12.5	11.5	6.15	10.5
C10-737497-001	15	0.76	5.5	14	13	7.15	12
C10-737498-001	25	0.76	6.5	17	16	8.15	15
C10-737499-001	41	0.76	7.5	19.5	18.5	9.15	17.5



RECOMMENDED PCB LAYOUT  
(VIAS ARE EQUALLY SPACES)



RECOMMENDED STENCIL LAYOUT

NOTES:

THIS DOCUMENT CONTAINS PROPRIETARY INFORMATION AND SUCH INFORMATION MAY NOT BE DISCLOSED TO OTHERS FOR ANY PURPOSE OR USED FOR MANUFACTURING PURPOSES WITHOUT WRITTEN PERMISSION FROM THE AMPHENOL CORP.

SIZE C	CAGE CODE 77820	DOCUMENT NO. C10-7374( )-001	REV. D
SCALE: 6.0		REF: N/A	SHEET 2 OF 2