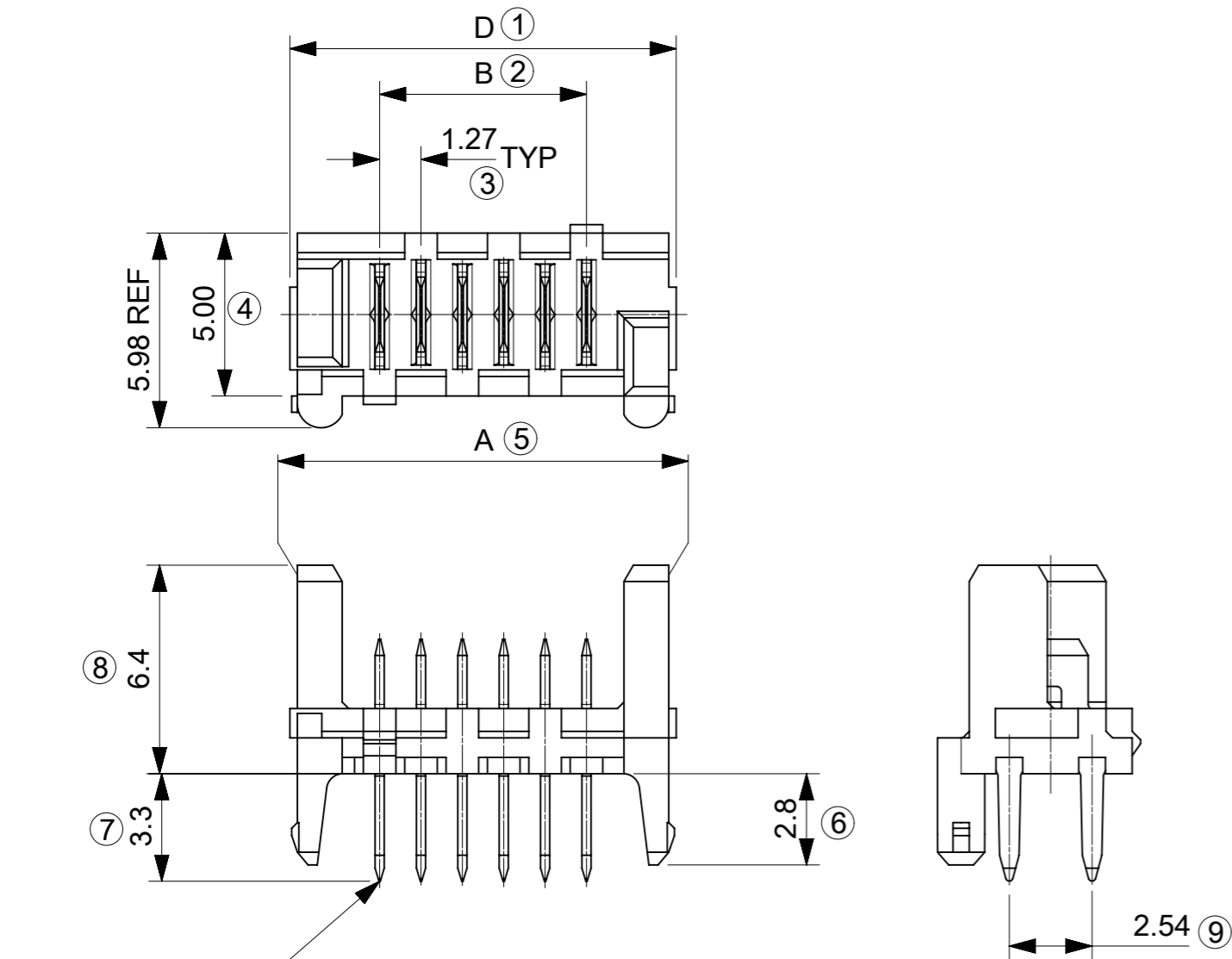


|              |             |        |        |        |        |
|--------------|-------------|--------|--------|--------|--------|
| 90325 - **26 | 26          | 36.80  | 31.75  | 35.35  | 37.26  |
| 90325 - **24 | 24          | 34.26  | 29.21  | 32.81  | 34.72  |
| 90325 - **22 | 22          | 31.72  | 26.67  | 30.27  | 32.18  |
| 90325 - **20 | 20          | 29.18  | 24.13  | 27.73  | 29.64  |
| 90325 - **18 | 18          | 26.64  | 21.59  | 25.19  | 27.10  |
| 90325 - **16 | 16          | 24.10  | 19.05  | 22.65  | 24.56  |
| 90325 - **14 | 14          | 21.56  | 16.51  | 20.11  | 22.02  |
| 90325 - **12 | 12          | 19.02  | 13.97  | 17.57  | 19.48  |
| 90325 - **10 | 10          | 16.48  | 11.43  | 15.03  | 16.94  |
| 90325 - **08 | 08          | 13.94  | 8.89   | 12.49  | 14.40  |
| 90325 - **06 | 06          | 11.40  | 6.35   | 9.95   | 11.86  |
| 90325 - **04 | 04          | 8.86   | 3.81   | 7.41   | 9.32   |
| PART NO.     | NO. OF CKTS | DIM. A | DIM. B | DIM. C | DIM. D |

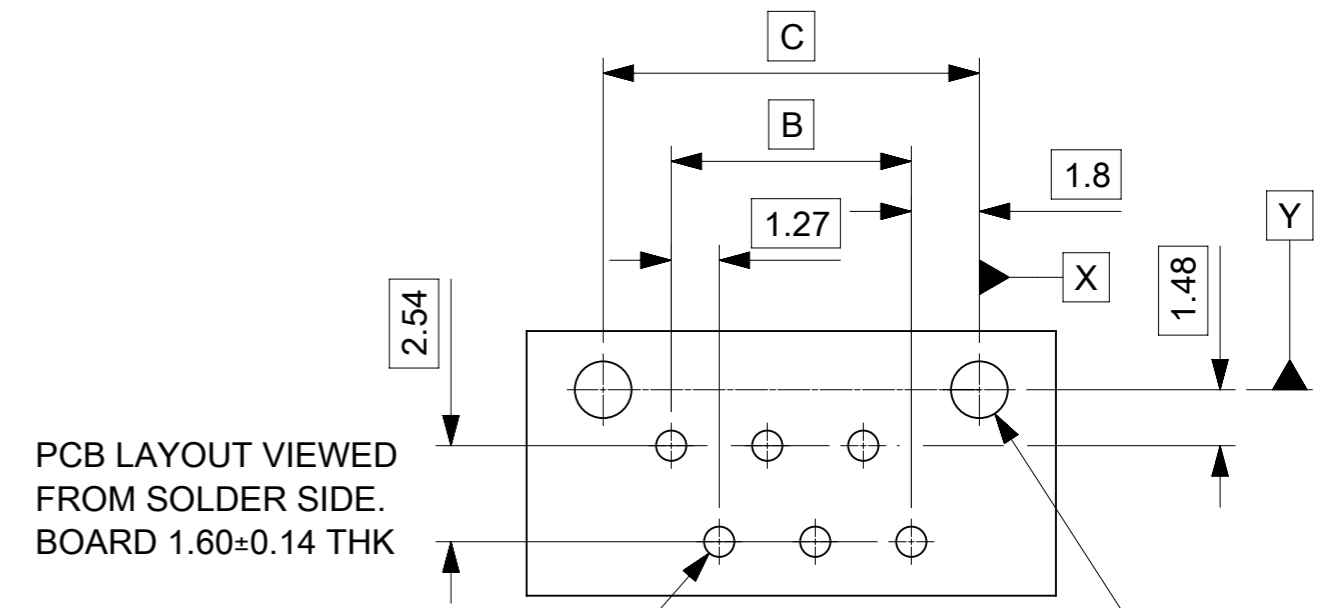


CIRCUIT NO. 1

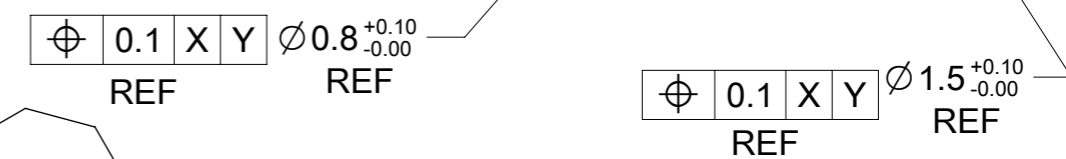
90325 - \* \* \* \*

CIRCUIT SIZE 04 CKT TO 26 CKT  
 0 = HOUSING: COLOUR BLACK  
 9 = HOUSING: CUSTOMER SPECIFIC (COLOUR BLACK)

0 = 3 -5µm TIN ASSY  
 3 = 0.76µm GOLD ASSY  
 5 = NON STANDARD VOIDED OPTIONSEE SHEET 2 TUBED  
 6 = ROUND PEG WITH KINKSOPTION SEE SHEET 3 (OBSOLETE)  
 7 = 0.76µm GOLD ASSY, TUBED  
 9 = 3-5µm TIN ASSY TUBED



INSPECTION NUMBERS USED ON SHEET 1: 1-20  
 LAST INSPECTION NUMBER USED: 9



- NOTES:
- HOUSING MATL. POLYESTER PBT 15% GLASS FILLED TO UL94V-0
  - TER. MATL. BRALL 0.28 THK  
 PLATING: :UNDERPLATED 1.27µm MIN NICKEL  
 3-5µm TIN SELECTIVE  
 0.76µm MIN. SELECTIVE GOLD
  - CONFIRMS TO PRODUCT SPECIFICATION PS-99020-0011
  - PACKAGING SPECIFICATION: PK-90325-001

|                   |  |   |     |
|-------------------|--|---|-----|
| SYMBOLS           |  | THIS DRAWING CONTAINS INFORMATION THAT IS PROPRIETARY TO MOLEX ELECTRONIC TECHNOLOGIES, LLC AND SHOULD NOT BE USED WITHOUT WRITTEN PERMISSION |     |
| ▽ = 0             | mm   | SCALE   | 5:1 |
| ▽ = 0             | GENERAL TOLERANCES (UNLESS SPECIFIED)                |   |     |
| ▽ = 0             | ANGULAR TOL ± 0.5°                                   |   |     |
| ▽ = 0             | 4 PLACES   | ±   |     |
| ▽ = 0             | 3 PLACES   | ±   |     |
| ▽ = 0             | 2 PLACES   | ±   | 0.2 |
| ▽ = 0             | 1 PLACE  | ±   | 0.2 |
| ▽ = 0             | 0 PLACES   | ±   |     |
| ■ = 0             | DRAFT WHERE APPLICABLE MUST REMAIN WITHIN DIMENSIONS |   |     |
| ▽ = 0             | THIRD ANGLE PROJECTION                               |   |     |
| CURRENT REV DESC: |  | EC NO: 738955   |     |
|                   |  | DRWN: GOWTHP 2023/02/02   |     |
|                   |  | CHK'D: GOWTHP 2023/02/16  |     |
|                   |  | APPR: ISHWARG 2023/02/20  |     |
| INITIAL REVISION: |  | DRWN: RFC_PLMIMP 2018/10/14   |     |
|                   |  | APPR: MWILHITE 2000/07/24   |     |
| DOCUMENT NUMBER   |  | SDA-90325   |     |
| DOC TYPE          |  | PSD   |     |
| DOC PART          |  | 001   |     |
| REVISION          |  | AU1   |     |
| MATERIAL NUMBER   |  | SEE TABLE   |     |
| CUSTOMER          |  | GENERAL MARKET  |     |
| SHEET NUMBER      |  | 1 OF 2  |     |

# DRAWING REMASTERED TO NX

PART NUMBER OPTIONS ON SHEET'S 2 & 3 ARE OBSOLETE AND THEREFORE HAVE BEEN REMOVED FROM DRAWING.



|         |   |                                       |                        |                             |                          |        |                |          |              |  |                          |                 |  |
|---------|---|---------------------------------------|------------------------|-----------------------------|--------------------------|--------|----------------|----------|--------------|--|--------------------------|-----------------|--|
| SYMBOLS | THIS DRAWING CONTAINS INFORMATION THAT IS PROPRIETARY TO MOLEX ELECTRONIC TECHNOLOGIES, LLC AND SHOULD NOT BE USED WITHOUT WRITTEN PERMISSION |                                       |                        |                             |                          |        |                |          |              |  |                          |                 |  |
|         |   | DIMENSION UNITS                       | SCALE                  | CURRENT REV DESC:           |                          |        |                |          |              |  | <b>molex</b>             |                 |  |
|         | = 0   | mm                                    | 1:1                    | EC NO: 738955               |                          |        |                |          |              |  |                          |                 |  |
|         |   | GENERAL TOLERANCES (UNLESS SPECIFIED) |                        |                             | DRWN: GOWTHP 2023/02/02  |        |                |          |              |  |                          | HEADER ASSEMBLY |  |
|         | = 0   | ANGULAR TOL ± 0.5°                    |                        |                             | CHK'D: GOWTHP 2023/02/16 |        |                |          |              |  |                          |                 |  |
|         |   | 4 PLACES                              | ±                      | APPR: ISHWARG 2023/02/20    |                          |        |                |          |              |  | PRODUCT CUSTOMER DRAWING |                 |  |
|         | = 0   | 3 PLACES                              | ±                      | INITIAL REVISION:           |                          |        |                |          |              |  |                          |                 |  |
|         |   | 2 PLACES                              | ± 0.2                  | DRWN: RFC_PLMIMP 2018/10/14 |                          |        |                |          |              |  | DOCUMENT NUMBER          |                 |  |
|         | = 0   | 1 PLACE                               | ± 0.2                  | APPR: MWILHITE 2000/07/24   |                          |        |                |          |              |  |                          |                 |  |
|         |   | 0 PLACES                              | ±                      | MATERIAL NUMBER             |                          |        |                |          |              |  | SDA-90325                |                 |  |
| = 0     | DRAFT WHERE APPLICABLE MUST REMAIN WITHIN DIMENSIONS  |                                       | THIRD ANGLE PROJECTION |                             | DRAWING                  | SERIES | CUSTOMER       | REVISION |              |  |                          |                 |  |
|         | THIRD ANGLE PROJECTION  |                                       |                        |                             | A3-SIZE                  | 90325  | GENERAL MARKET | 001 AU1  |              |  |                          |                 |  |
|         | DRAWING   |                                       | SERIES                 |                             | MATERIAL NUMBER          |        | CUSTOMER       |          | SHEET NUMBER |  |                          |                 |  |
| = 0     | A3-SIZE   |                                       | 90325                  |                             | SEE TABLE                |        | GENERAL MARKET |          | 2 OF 2       |  |                          |                 |  |

|                |    |              |            |          |
|----------------|----|--------------|------------|----------|
| RELEASE STATUS | P1 | RELEASE DATE | 2023/02/20 | 05:04:37 |
|----------------|----|--------------|------------|----------|