

# 3.3V CMOS Ultra Low Jitter VCXO

**YD**


5.0 x 3.2mm Ceramic SMD

## Product Features

- 1 - 32MHz Frequency Range
- Cost-effective design
- Commercial and industrial operation
- $\pm 50$  ppm stability (or as specified)
- $\pm 50$  to  $\pm 100$  ppm absolute (net) pull range
- RoHS Compliant

## Product Description

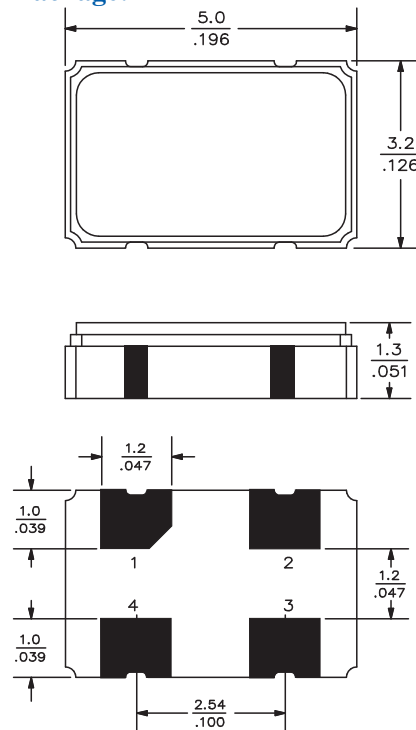
The YD is a voltage controlled crystal oscillator with wide pullability over a broad range of operating conditions and frequencies. The device is constructed with a hermetically sealed, quartz crystal resonator and low noise clock IC. The device, available on tape and reel, is contained in a 5.0 x 3.2mm ceramic package.

## Applications

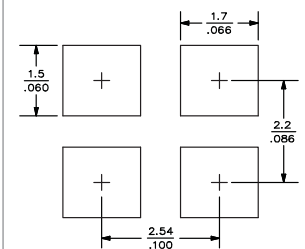
The YD Series VCXO is an ideal component in phase locked loop circuits that perform clock smoothing, clock/data recovery, or frequency translation and card synchronization functions, such as:

- SD/HD Video decoding
- SONET/SDH timing control and line cards
- T3/E3 Platforms
- Satellite and microwave communications
- Wireless base stations
- xDSL and DSLAM
- VoIP

## Package:



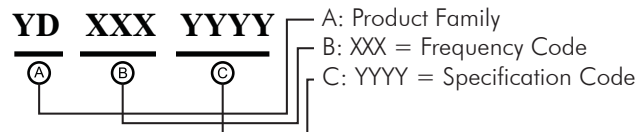
## Recommended Land Pattern:



## Pin Functions:

Pin	Function
1	Voltage Control
2	Ground
3	Output
4	VCC

## Part Ordering Information:



Following the above format, Saronix-eCera part numbers will be assigned upon confirmation of exact customer requirements.

### Electrical Performance

Parameter	Min.	Typ.	Max.	Units	Notes
Output Frequency (F <sub>N</sub> )	1		32	MHz	As specified
Supply Voltage	+3.165	+3.30	+3.465	V	
Supply Current			7	mA	
Frequency Stability			±50	ppm	See #1 and #2 below
Operating Temperature Range	-40		+85	°C	As specified
Output Logic 0, V <sub>OL</sub>			10% V <sub>DD</sub>	V	Capacitive load
Output Logic 1, V <sub>OH</sub>	90% V <sub>DD</sub>			V	
Output Load			15	pF	
Duty Cycle	45		55	%	measured 50% V <sub>DD</sub>
Rise and Fall Time			4	ns	measured 20/80% V <sub>DD</sub>
Jitter, Total			20	ps pk-pk	

#### Notes:

- Stability includes all combinations of operating temperature, load changes, rated input (supply) voltage changes, initial calibration tolerance (25°C), aging (10 year at 40°C average effective ambient temperature), shock and vibration.
- For specifications other than those listed, please contact sales.

### Frequency Modulation Function

Parameter	Min.	Typ.	Max.	Units	Notes
Absolute Pull Range (APR)	±50 to ±100			ppm	See #1 below
Control Voltage Range	+0.3		+3.0	V <sub>DC</sub>	As rated
Center Control Voltage		+1.65		V	For RMT center frequency
Monotonic Linearity			10	%	Positive transfer slope
Input Impedance	50			kΩ	Control voltage pin
Modulation Bandwidth	10			kHz	-3dB

#### Notes:

- As specified. APR is relative to the nominal output frequency F<sub>N</sub>; APR is inclusive (net) of frequency deviation due to stability.

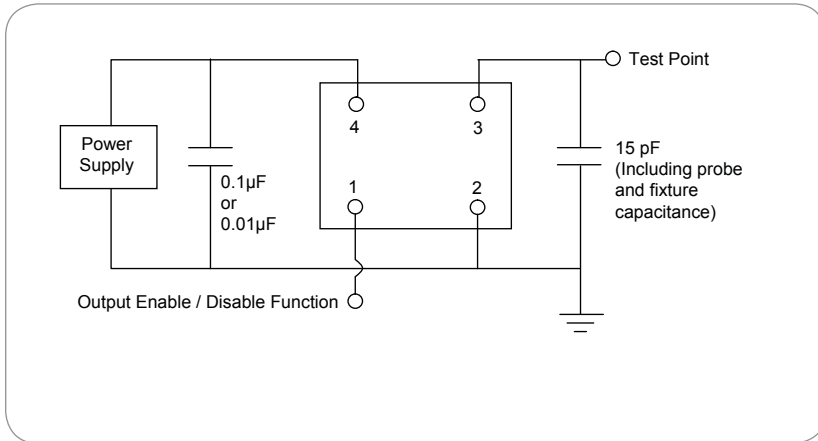
### Output Enable / Disable Function

Parameter	Min.	Typ.	Max.	Units	Notes
Input Voltage, Output Enable	3.0			V	or open
Input Voltage, Output High Impedance			0.3	V	Output is high impedance

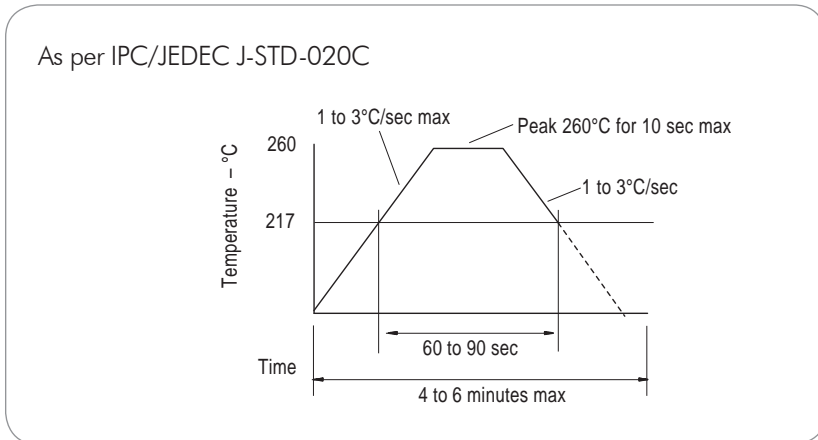
### Absolute Maximum Ratings

Parameter	Min.	Typ.	Max.	Units	Notes
Storage Temperature	-55		+125	°C	

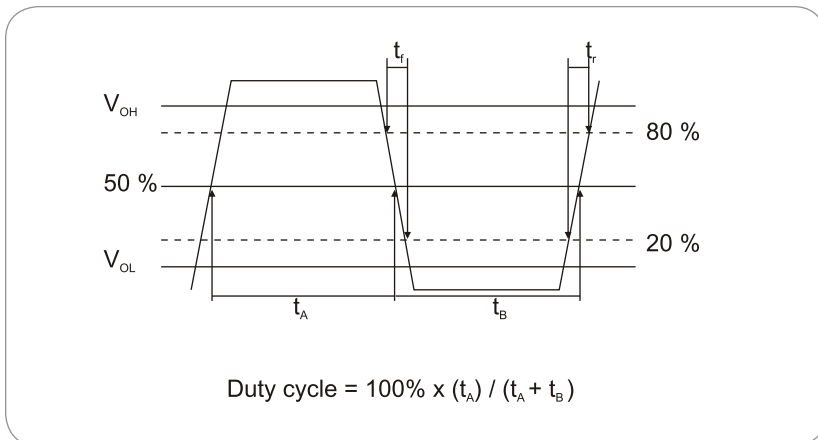
### Test Circuit



### Reflow Soldering Profile



### Output Waveform



# 3.3V CMOS Ultra Low Jitter VCXO YD

## YD Series Voltage Controlled Crystal Oscillator (VCXO) 5.0 x 3.2mm

### Reliability Test Ratings

This product is rated to meet the following test conditions:

Type	Parameter	Test Condition
Mechanical	Shock	MIL-STD-883, Method 2002, Condition B
Mechanical	Solderability	JESD22-B102-D Method 2 (Preconditioning E)
Mechanical	Terminal strength	MIL-STD-883, Method 2004, Condition D
Mechanical	Gross leak	MIL-STD-883, Method 1014, Condition C
Mechanical	Fine leak	MIL-STD-883, Method 1014, Condition A2 ( $R_1 = 2 \times 10^{-8}$ atm cc/s)
Mechanical	Solvent resistance	MIL-STD-202, Method 215
Environmental	Thermal shock	MIL-STD-883, Method 1011, Condition A
Environmental	Moisture resistance	MIL-STD-883, Method 1004
Environmental	Vibration	MIL-STD-883, Method 2007, Condition A
Environmental	Resistance to soldering heat	J-STD-020C Table 5-2 Pb-free devices (2 cycles max)