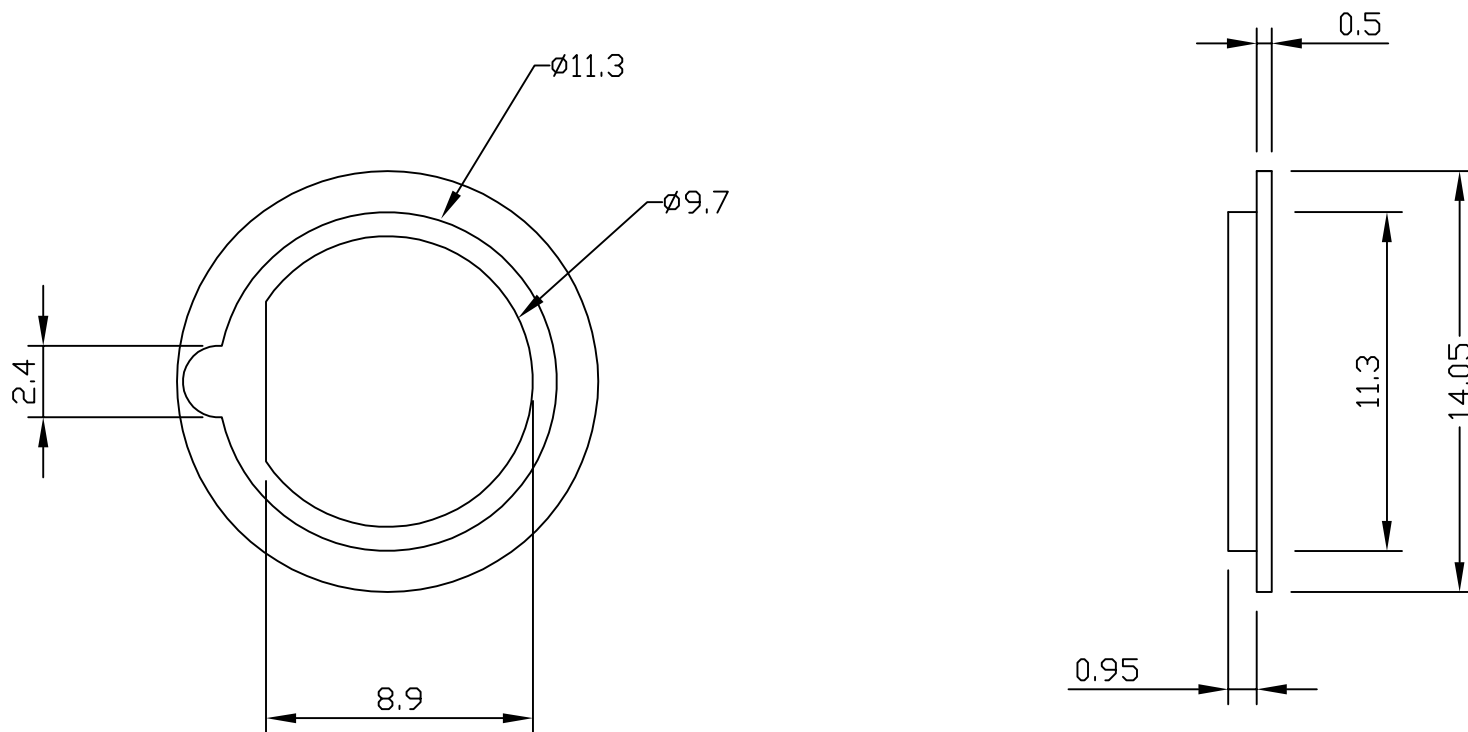


ROHS COMPLIANT  
MATERIAL: NYLON



First Issue	JC	1	21 SEPT 11
DESCRIPTION OF REVISION	APPVD	ISS	DATE



Cinch Connectivity Solutions  
7-13 Russell Way,  
Widford Industrial Estate,  
Chelmsford, Essex,  
CM1 3AA, UK.  
Tel: +44 (0) 1245 359515  
Fax: +44 (0) 1245 358938

SCALE: 5:1  
DIMENSIONS: mm  
TOLERANCES:  
 $\pm 0.2\text{mm}$  unless  
otherwise stated

DRAWN BY: J.CRACKNELL  
CHECKED BY: M. SPOONER  
APPROVED BY: M.SPOONER  
DATE: 21 SEPT 11

TITLE:  
**ISOLATING  
WASHER**

PART NUMBER:  
**VIW-1094**  
PAGE: 1 of 1