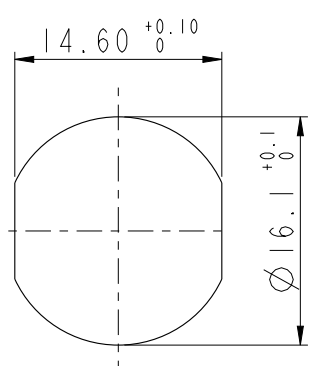
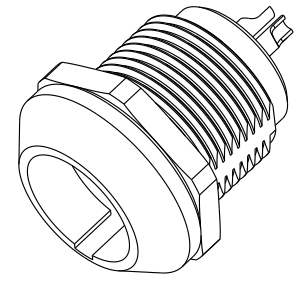
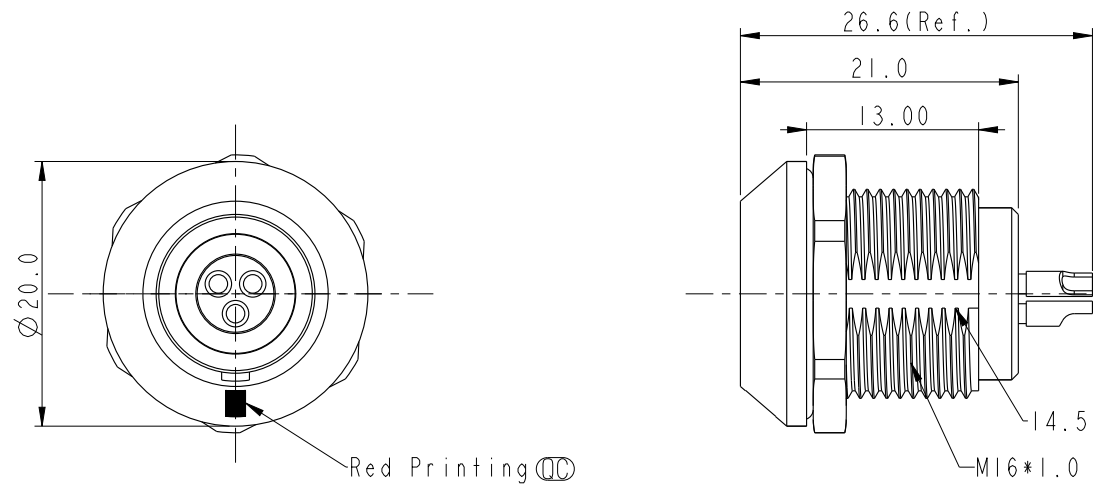
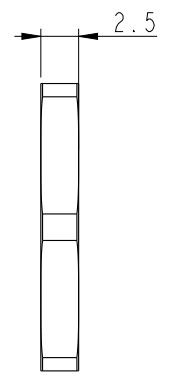
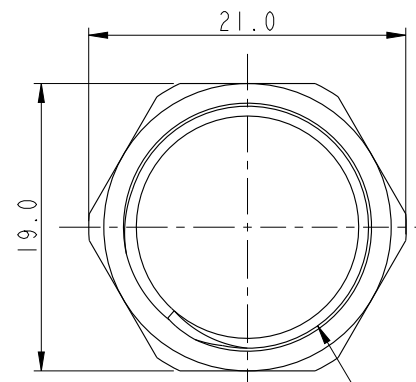


THIS DOCUMENT IS SUBJECT TO CHANGE WITHOUT NOTICE. IT IS CONFIDENTIAL AND A PROPERTY OF Amphenol LTW. DISCLOSURE TO THIRD PARTY HAS TO BE AUTHORIZED BY Amphenol LTW.

REV.	ECN NO.	DATE	SIGN	DESCRIPTION



Conn.
Pin Assignments
Front View



Nut

- Notes:
- * $\text{\textcircled{C}}$ Important Dimensions To Check.
 - * Waterproof Rate: IP68(Mated)
 - * Female Pin: Copper Alloy, Gold Plated.
 - * Use Panel Thickness Max: 10.0mm

UNIT:mm		
TOLERANCE	±0.5mm	

TITLE FLO PLUS K C PANEL CONNECTOR			
SCALE 1:1	SIZE A4	SHEET 1 OF 2	
REV. A	WC-REV. .0	$\text{\textcircled{C}}$: Inspection item	

Amphenol LTW
安費諾亮泰企業股份有限公司

ITEM NO.	DRAWN BY Ouyang	DATE 2019-12-04
DWG NO. SLKC-XXEGFS-XCP-XXX	CHECKED BY Jerry	DATE 2019-12-04
CUSTOMER ALTW	APPROVED BY Fred	DATE 2019-12-04

THIS DOCUMENT IS SUBJECT TO CHANGE WITHOUT NOTICE. IT IS CONFIDENTIAL AND A PROPERTY OF AMPHENOL LTW. DISCLOSURE TO THIRD PARTY HAS TO BE AUTHORIZED BY AMPHENOL LTW.

REV.	ECN NO.	DATE	SIGN	DESCRIPTION

SLKC - XXEGFS - XCP - XXX

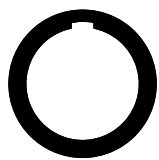
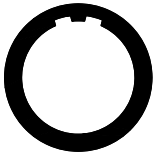
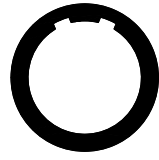
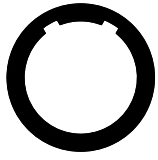
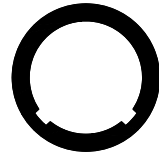
SERIAL NO.

KEY POINT ①

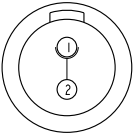
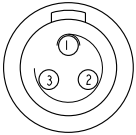
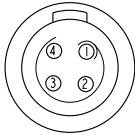
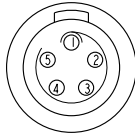
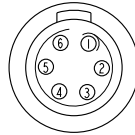
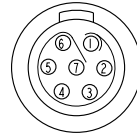
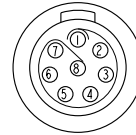
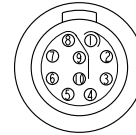

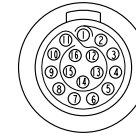
PIN CONFIGURATION ②



SIZE(CONNECTOR)

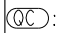
KEY POINT ①

CODE	G	A	B	C	D
	0°	30°	45°	60°	95°
GRAPHIC					

PIN CONFIGURATION (Solder Definition) ②

GRAPHIC										
	2 PIN	3 PIN	4 PIN	5 PIN	6 PIN	7 PIN	8 PIN	10 PIN	14 PIN	16 PIN

UNIT:mm		
TOLERANCE	±0.5mm	

TITLE FLO PLUS K C PANEL CONNECTOR		
SCALE 1:1	SIZE A4	SHEET 2 OF 2
REV. A	WC-REV. .0	 :Inspection item

Amphenol LTW
安費諾亮泰企業股份有限公司

ITEM NO.	DRAWN BY Ouyang	DATE 2019-12-04
DWG NO. SLKC-XXEGFS-XCP-XXX	CHECKED BY Jerry	DATE 2019-12-04
CUSTOMER ALTW	APPROVED BY Fred	DATE 2019-12-04