

Amphenol Taiwan Corporation Product Change Notification

Part Numbers Concerned :	GSB311AX1EU	Originator:	Max Chang
Product Description:	USB 3.0, RECEPTACLE, A TYPE, RIGHT ANGLE , REVERSE DIP	Issue Date:	July, 6th, 2015
		PCN NO:	1507-001
Distribution:			

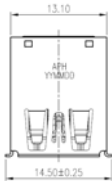
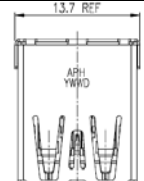
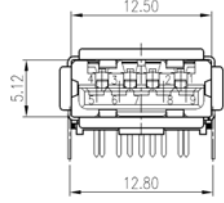
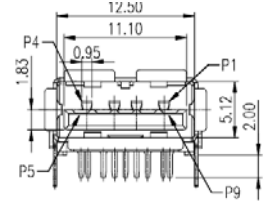
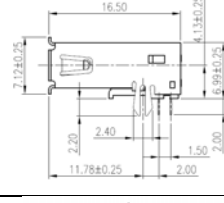
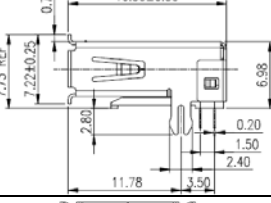
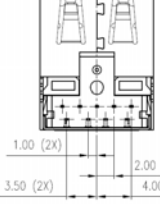
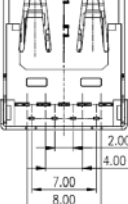
■ Product Change Notice

Background:

This notification is to inform customers regarding Product “GSB311AX1EU”, due to tooling too old, and all tooling has been worn out and broken easily, and can not maintain anymore.

And now Amphenol recommends a new part to instead of GSB311AX1EU.

Product change details.

	GSB311AX1EU – B	GSB311AX1EU – CX4
Profile Features		
		
		
		

Product Part Number Affected: No related to the others.

Implementation date: August 1st, 2015.

Recommended Action:

1. Sales team informs customers drawing update to version CX4.
2. Any samples request for pilot run, please inform product marketing earlier.
3. When old parts use up, new part will instead of it by running change.

Max Chang, Product Manager,
886-3-2647200 ext 273

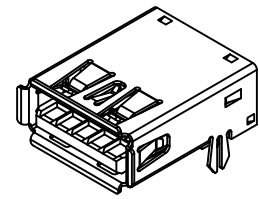
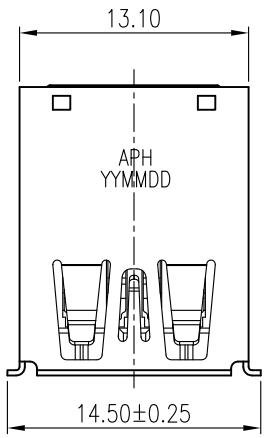


This document is the property of Amphenol Corporation and is delivered on the express condition that is not to be disclosed, reproduced or used, in whole or in part, for manufacture or sale by anyone other than Amphenol Corporation without its prior consent, and that no right is granted to disclose or to use any information in this document.

The marking on this product doesn't contain environmental hazardous materials per Material Specification 55-00259 for Sony GP compliant or per directive 2002/95/EC for RoHS compliant.

ORIGINAL

REVISIONS				
SYM	ECN No.	DESCRIPTION	DATE	APPROVED
A		RELEASE REVISION	10/25/2010	Arron Lin
B	EN-11036	ADDED DATE CODE	03/18/2011	Arron Lin

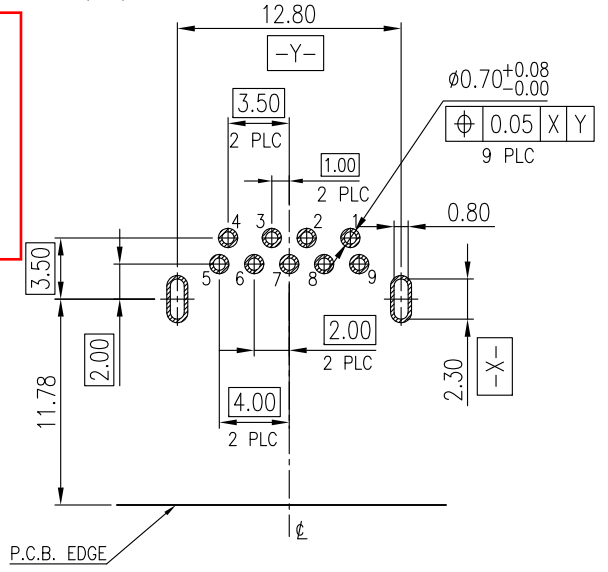
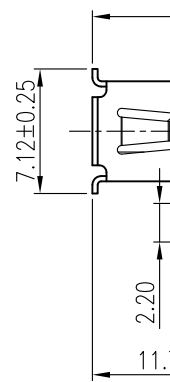
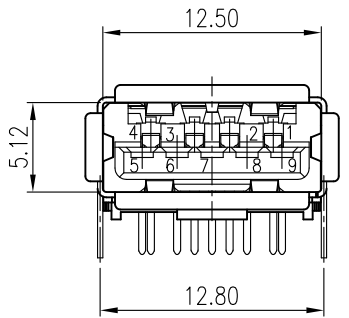


PART NO. GSB311AX1EU

PLATING OF SOLDERING AREA
 4: 100u" MATTE TIN
 5: 2u" MIN. GOLD

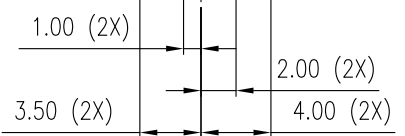
- NOTES:
- MATERIAL:
 - HOUSING: HIGH TEMPERATURE THERMAL PLASTIC, UL94HB, COLOR: BLUE.
 - SPACER: HIGH TEMPERATURE THERMAL PLASTIC, UL94V-0, COLOR: BLACK.
 - USB 3.0 TERMINAL: COPPER ALLOY, USB 2.0 TERMINAL: COPPER ALLOY.
 - FRONT SHELL: STAINLESS STEEL.
 - REAR SHELL: STAINLESS STEEL.
 - FINISH:
 - TERMINAL:
 - CONTACT AREA: GOLD PLATING 2 μ" THICKNESS MIN. OVER
 - PALLADIUM NICKEL PLATING 30μ" THICKNESS MIN;
 - SOLDERING AREA: MATTE TIN PLATING 100 μ" THICKNESS MIN. OR GOLD PLATING 2 μ" THICKNESS MIN.;
 - UNDER PLATING: NICKEL PLATING 80 μ" THICKNESS MIN. OVERALL.
 - FRONT SHELL: NICKEL PLATING 30 μ" THICKNESS MIN. OVERALL.
 - THIS PRODUCT DOESN'T CONTAIN ENVIRONMENTAL HAZARDOUS PER DIRECTIVE 2002/95/EC FOR RoHS COMPLIANT.

VOID



RECOMMEND P.C.B LAYOUT (THICKNESS=1.2mm)
 (COMPONENT SIDE) TOLERANCE±0.03

PIN NUMBER	SIGNAL NAME
1	VBUS
2	D-
3	D+
4	GND
5	StdA_SSRX-
6	StdA_SSRX+
7	GND_DRAIN
8	StdA_SSTX-
9	StdA_SSTX+



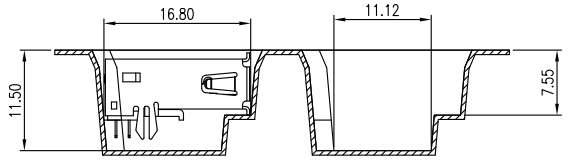
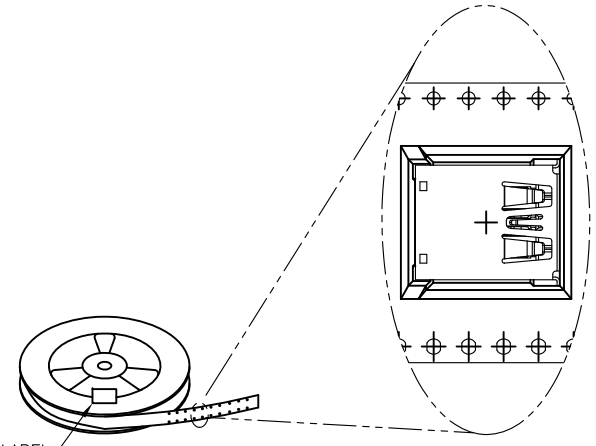
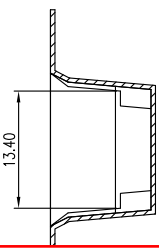
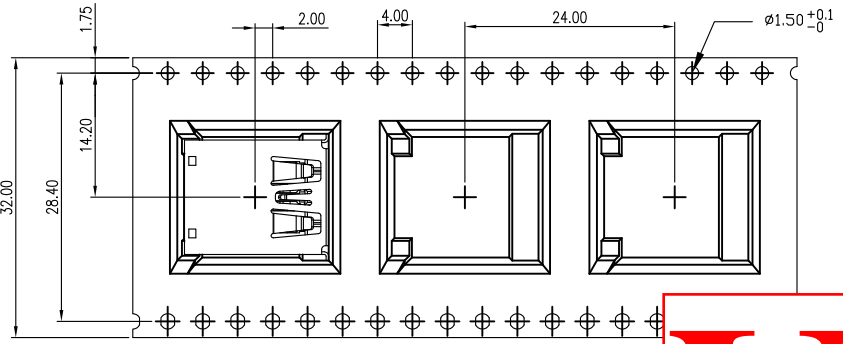
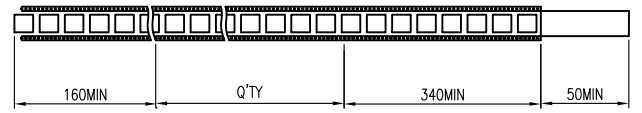
TOLERANCE	APPROVALS	DATE	TITLE	UNIT	SIZE	PART No.
X. ±0.30	DRAWN Debby Hung	03/18/2011	USB 3.0 RECEPTACLE, REVERSE TYPE, CENTER HEIGHT= 4.13MM	mm	A3	GSB311AX1EU
X.XX ±0.20	CHECKED Roger Tsai	03/18/2011				
X.XXX ±0.10	APPROVED Arron Lin	03/18/2011				
ANGULAR ±1°	DWG TYPE CUST DWG	PROJECT CODE OTHER				
UNLESS OTHERWISE SPECIFIED				SCALE NA	SHEET 1 OF 2	DWG No. GSB311AX1EU
						REV. B

This document is the property of Amphenol Corporation and is delivered on the express condition that is not to be disclosed, reproduced or used, in whole or in part, for manufacture or sale by anyone other than Amphenol Corporation without its prior consent, and that no right is granted to disclose or to use any information in this document.
 The marking on this product doesn't contain environmental hazardous materials per Material Specification SS-00259 for Sony GP compliant or per directive 2002/95/EC for RoHS compliant.

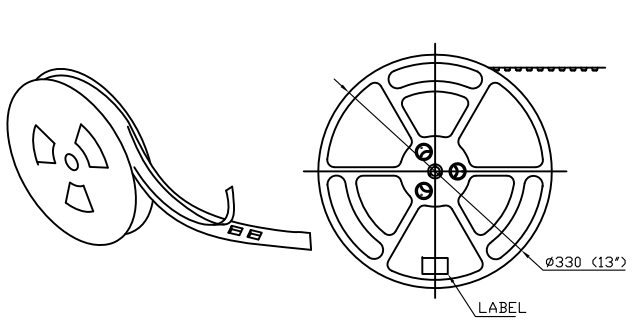
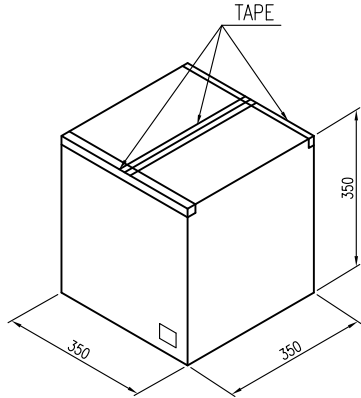
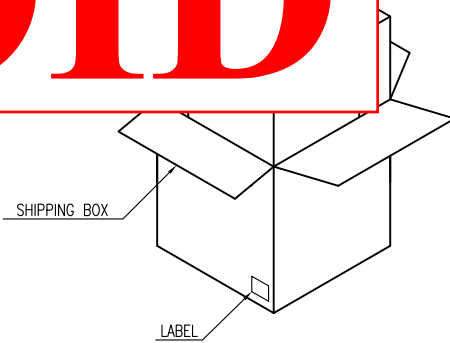
ORIGINAL

REVISIONS				
SYM	ECN No.	DESCRIPTION	DATE	APPROVED
A		RELEASE REVISION	10/25/2010	Arron Lin
B	EN-11036	ADDED DATE CODE	03/18/2011	Arron Lin

PULL OUT DIRECTION →



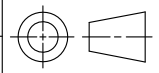
VOID



200	9	1800	7.43	3.76	GSB311AX1EU
PCS/REEL	REELS/BOX	QUANTITY (PCS)	G/W (Kg)	N/W (Kg)	PART NUMBER

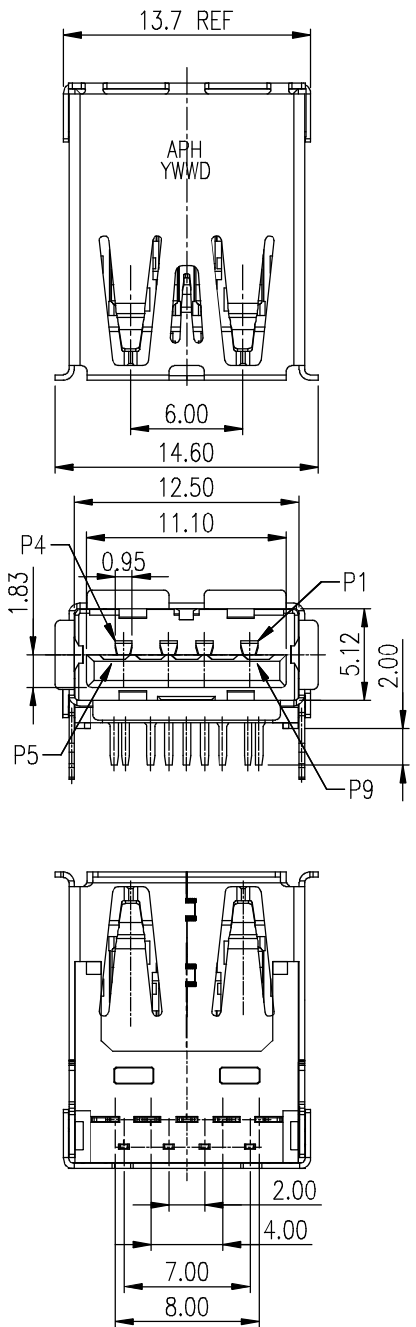
TOLERANCE	DRAWN	APPROVALS	DATE	TITLE	Amphenol® Amphenol Corporation Amphenol Taiwan Corporation	
X. ±0.30	DESIGNED	Debby Hung	03/18/2011	USB 3.0 RECEPTACLE, REVERSE TYPE, CENTER HEIGHT= 4.13MM	PART No. GSB311AX1EU	
X.XX ±0.20	CHECKED	Roger Tsai	03/18/2011		DWG No. GSB311AX1EU	
X.XXX ±0.10	APPROVED	Arron Lin	03/18/2011	UNLESS OTHERWISE SPECIFIED	REV. B	
	DWG TYPE	CUST DWG	PROJECT CODE		OTHER	

UNIT	mm	SIZE	A3
SCALE	NA	SHEET	2 OF 2



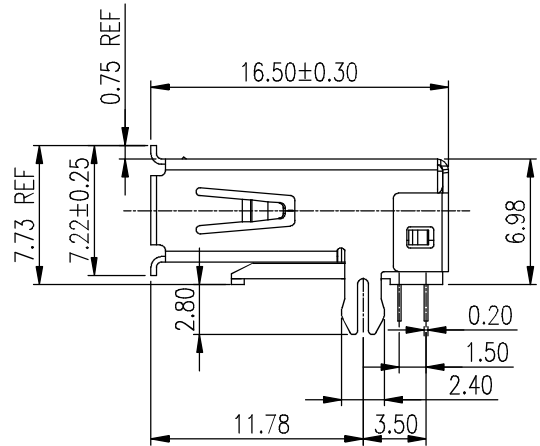
This document is the property of Amphenol Corporation and is delivered on the express condition that it is not to be disclosed, reproduced or used, in whole or in part, for manufacture or sale by anyone other than Amphenol Corporation without its prior consent, and that no right is granted to disclose or to use any information in this document.

The marking on this product doesn't contain environmental hazardous materials per Material Specification SS-00259 for Sony GP compliant or per directive 2011/65/EC for RoHS compliant.



PART NO. GSB311AX1EU

PLATING OF SOLDERING AREA
 4: 100u" MATTE TIN
 5: 2u" MIN. GOLD

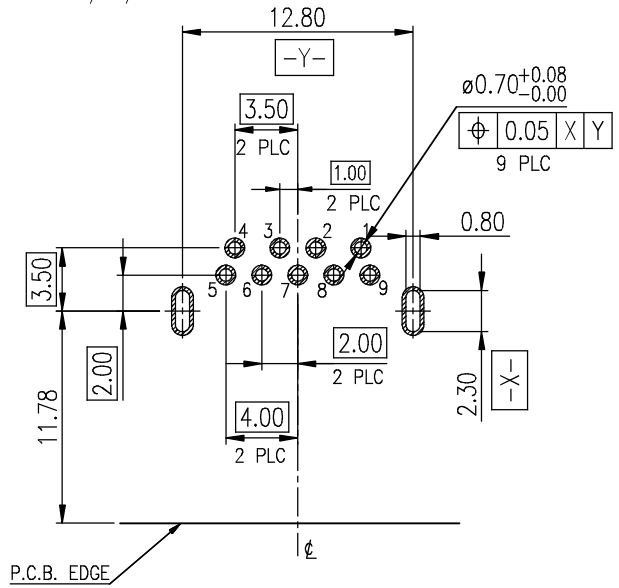


PIN NUMBER	SIGNAL NAME
1	VBUS
2	D-
3	D+
4	GND
5	StdA_SSRX-
6	StdA_SSRX+
7	GND_DRAIN
8	StdA_SSTX-
9	StdA_SSTX+

REVISIONS				
SYM	ECN No.	DESCRIPTION	DATE	APPROVED
A		RELEASE REVISION	10/25/2010	Arron Lin
B	EN-11036	ADDED DATE CODE	03/18/2011	Arron Lin
CX1	EDSR#5583	UPDATE DRAWING	05/29/2015	Arron Lin
CX2		ADDED DIM	06/01/2015	Arron Lin
CX3		UPDATE PACKAGE DRAWING	06/15/2015	Arron Lin
CX4		UPDATE DRAWING FOR CURRENT SAMPLE	06/22/2015	Arron Lin

NOTES:

- MATERIAL:
 - HOUSING: HIGH TEMPERATURE THERMAL PLASTIC LCP , UL94V-0, COLOR: BLUE.
 - SPACER: HIGH TEMPERATURE THERMAL PLASTIC LCP, UL94V-0, COLOR: BLUE.
 - USB 3.0 TERMINAL: COPPER ALLOY, USB 2.0 TERMINAL: COPPER ALLOY.
 - FRONT SHELL: STAINLESS STEEL.
 - REAR SHELL: STAINLESS STEEL.
- FINISH:
 - TERMINAL:
 - CONTACT AREA: GOLD PLATING 2 μ" THICKNESS MIN. OVER PALLADIUM NICKEL PLATING 30μ" THICKNESS MIN;
 - SOLDERING AREA: MATTE TIN PLATING 100 μ" THICKNESS MIN. OR GOLD PLATING 2 μ" THICKNESS MIN.;
 - UNDER PLATING: NICKEL PLATING 80 μ" THICKNESS MIN. OVERALL.
 - FRONT SHELL: NICKEL PLATING 30 μ" THICKNESS MIN. OVERALL.
- THIS PRODUCT DOESN'T CONTAIN ENVIRONMENTAL HAZARDOUS PER DIRECTIVE 2011/65/EC FOR RoHS COMPLIANT.



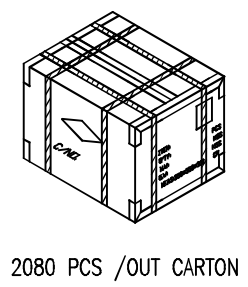
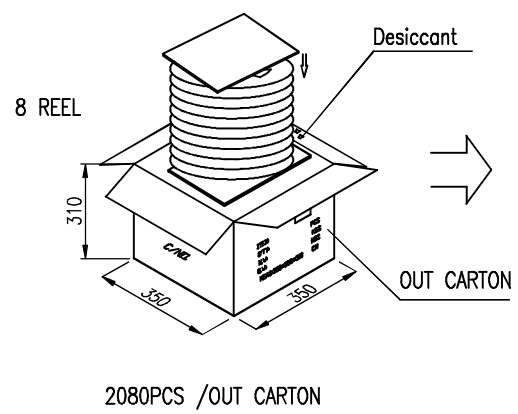
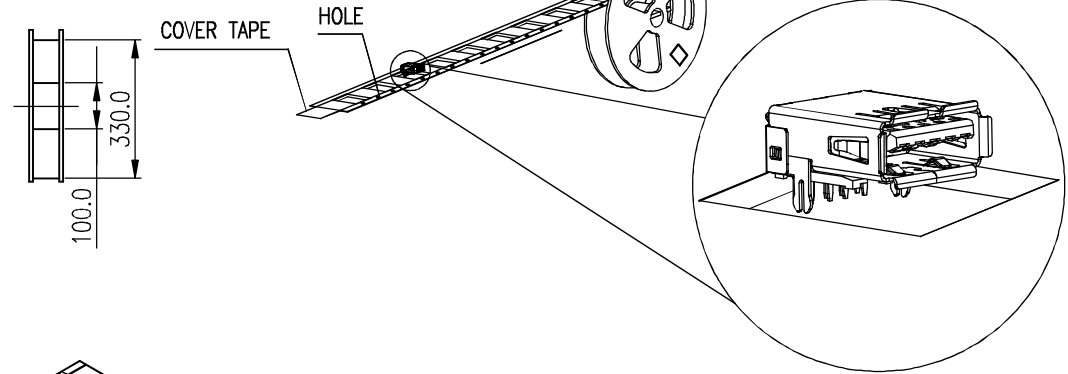
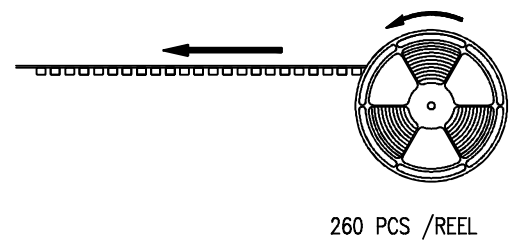
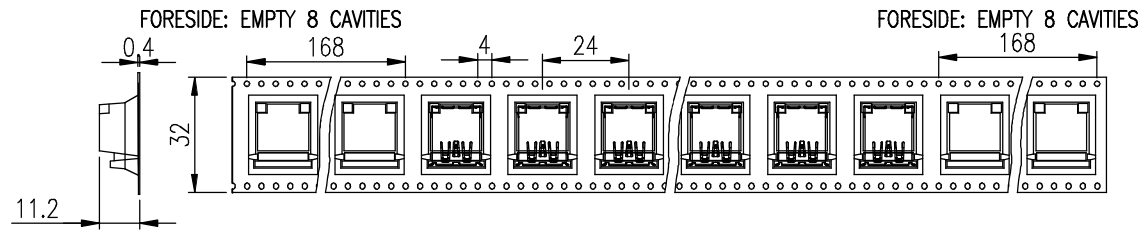
RECOMMEND P.C.B LAYOUT (THICKNESS=1.2mm)
 (COMPONENT SIDE) TOLERANCE±0.03

TOLERANCE	APPROVALS	DATE	TITLE		PART No.	
X. ±0.30	DRAWN Debby Hung	06/22/2015	USB 3.0 RECEPTACLE, REVERSE TYPE, CENTER HEIGHT= 4.13MM		Amphenol® Amphenol Corporation Amphenol Taiwan Corporation	
X.X ±0.20						
X.XX ±0.10	CHECKED Roger Tsai	06/22/2015	UNIT mm SIZE A3		PART No. GSB311AX1EU	
ANGULAR ±1°	APPROVED Arron Lin	06/22/2015			SCALE NA SHEET 1 OF 2	
UNLESS OTHERWISE SPECIFIED	DWG TYPE CUST DWG	PROJECT CODE OTHER				

This document is the property of Amphenol Corporation and is delivered on the express condition that it is not to be disclosed, reproduced or used, in whole or in part, for manufacture or sale by anyone other than Amphenol Corporation without its prior consent, and that no right is granted to disclose or to use any information in this document.


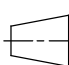
The marking on this product doesn't contain environmental hazardous materials per Material Specification SS-00259 for Sony GP compliant or per directive 2011/65/EC for RoHS compliant.

REVISIONS				
SYM	ECN No.	DESCRIPTION	DATE	APPROVED
A		RELEASE REVISION	10/25/2010	Arron Lin
B	EN-11036	ADDED DATE CODE	03/18/2011	Arron Lin
CX1	EDSR#5583	UPDATE DRAWING	05/29/2015	Arron Lin
CX2		ADDED DIM	06/01/2015	Arron Lin
CX3		UPDATE PACKAGE DRAWING	06/15/2015	Arron Lin
CX4		UPDATE DRAWING FOR CURRENT SAMPLE	06/22/2015	Arron Lin



260	8	2080	5.1	8.7	GSB311AX1EU
PCS/REEL	REELS/BOX	QUANTITY (PCS)	G/W (Kg)	N/W (Kg)	PART NUMBER

TOLERANCE	APPROVALS	DATE
X. ±0.30	DRAWN Debby Hung	06/22/2015
X.X ±0.20	CHECKED Roger Tsai	06/22/2015
X.XXX ±0.10	APPROVED Arron Lin	06/22/2015
ANGULAR ±1°	DWG TYPE CUST DWG	PROJECT CODE OTHER
UNLESS OTHERWISE SPECIFIED		

TITLE USB 3.0 RECEPTACLE, REVERSE TYPE, CENTER HEIGHT= 4.13MM			 		
UNIT mm	SIZE A3	PART No. GSB311AX1EU			
SCALE NA	SHEET 2 OF 2	DWG No. GSB311AX1EU		REV. CX4	

Amphenol[®]
Amphenol Corporation
Amphenol Taiwan Corporation