

THIS DRAWING IS UNPUBLISHED.		RELEASED FOR PUBLICATION		2007	
COPYRIGHT 2007 BY TYCO ELECTRONICS CORPORATION. ALL RIGHTS RESERVED.					
PART NUMBER	REV	FIRST USED	POWER UNIT	FEED TYPE	
567408-2	G	-	BENCH MODEL G	AIR FEED	

- △ RECOMMENDED SPARE PARTS.
- △ GREASE LIGHTLY.
- △ LUBRICATE DAILY USING NO. 20 MACHINE OIL.
- △ AFTER ASSEMBLY OF APPLICATOR, PROPER SPRING PRESSURE (ITEM 34) CAN BE OBTAINED BY TIGHTENING SET SCREW (ITEM 105) UNTIL CONTACT IS MADE WITH SPACER (ITEM 32) THEN TIGHTEN AN ADDITIONAL 5 1/2 - 6 REVOLUTIONS.
- △ GUARD MUST BE IN PLACE WHEN OPERATING APPLICATOR IN A BENCH MACHINE.

TERMINAL NAME: .250 SERIES FLAG POS LOK-EX RECEPTACLE					
-	175057	AMP TERMINAL - AMP CRIMP SPECS			
-	1743221				
-	-	PAD LTR	CRIMP HEIGHT	WIRE SIZE	Ø SOLDER
-	-	A	.069±.002	12	-
-	-	B	.059±.002	14	-
-	-	C	.053±.002	16	-
-	-	D	.049±.002	18	-
-	-	CRIMP	SIZE	TYPE	RANGE
-	-	WIRE	.160	TAB LOC	18-12
-	-	INSUL	.180	O	.110-.161
WIRE STRIP LENGTH	TERM APPL SPEC	FEED	APPL INSTRUCTIONS	SET UP GAGE	LAYOUT
.197-.236	114-5122	.744	408-8037	-	L1815

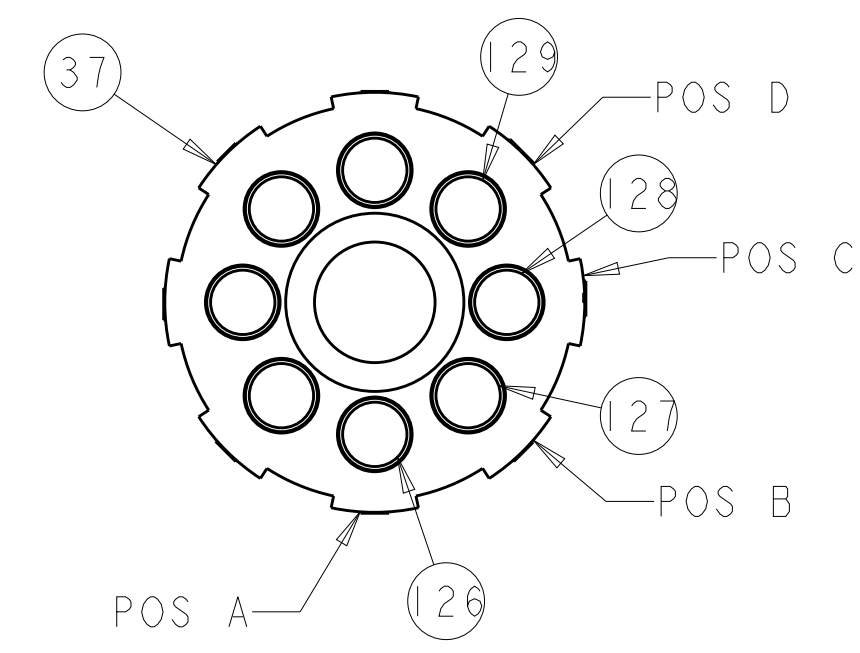
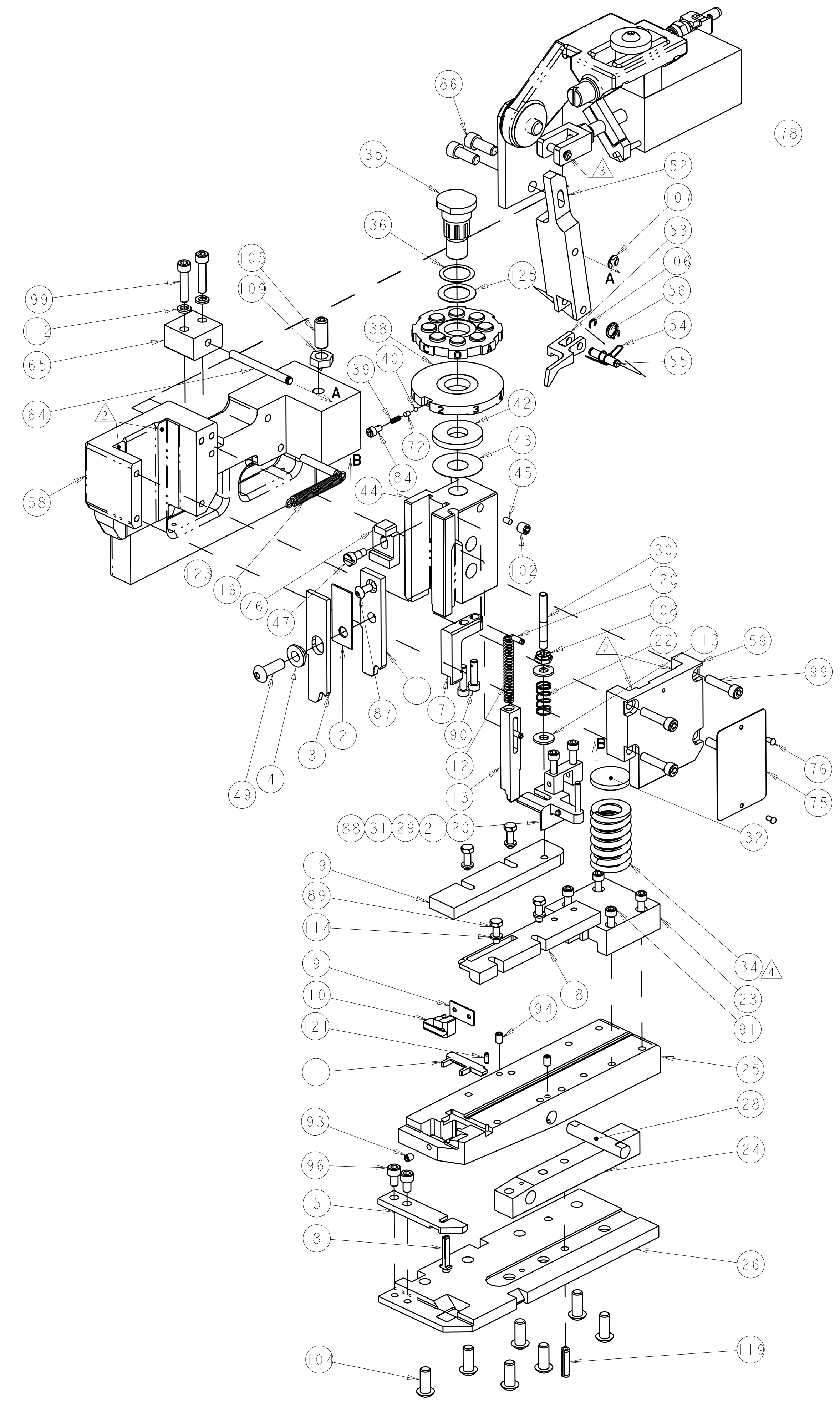
LOC	DIST	REVISIONS			
A	66	REV	DATE	BY	APP'D
		F	27MAR2007	BW	TE
		G	26FEB2009	BW	TE
		GI	18JAN2019	GK	GB

2	-	3-354779-4	PIN, WIRE DISC (.3160)	129
2	-	2-354779-6	PIN, WIRE DISC (.3120)	128
2	-	1-354779-4	PIN, WIRE DISC (.3060)	127
2	-	9-354778-5	PIN, WIRE DISC (.2970)	126
1	-	986950-1	WASHER, FLAT PRECISION	125
1	-	3-22183-9	PIN, GROOVED, TYPE 67	123
1	-	3-21028-2	PIN, SLOTTED SPRING .094 X .250	121
2	-	4-21028-9	PIN, SLOTTED SPRING .125 X .375	120
1	-	21029-5	PIN, SLOTTED SPRING .188 X .750	119
4	-	21024-4	WASHER, SPRG LOCK, REG NO 8	114
2	-	21899-2	WASHER, FLAT	113
2	-	21024-5	WASHER, SPRG LOCK, REG NO 10	112
1	-	1-22202-7	NUT, HEX, JAM 5/16-24/UNF	109
1	-	21022-3	NUT, HEX, SELF-LOCKING, THIN, 10-32	108
1	-	1-21986-2	RING, RETAIN, EXTERN, 3/16 E-RING	107
2	-	21045-3	RING, RETAIN, EXTERN, 3/16 CRESCENT	106
1	-	8-21007-5	SCR, SET, CUP POINT 5/16-24 X .750	105
7	-	2-22733-8	SCR, BHSC, SELF-LOCKING, 1/4-20 X .625	104
1	-	21009-2	SCR, SET, SELF LOCKING 1/4-20 X .250	102
6	-	3-21000-8	SCR, SKT HD CAP 10-32 X .875	99
2	-	7-21000-6	SCR, SKT HD CAP 10-32 X .312	96
2	-	4-21006-0	SCR, SET, CUP POINT 8-32 X .250	94
1	-	21061-9	SCR, SET, CONE POINT 8-32 X .250	93
4	-	2-21000-9	SCR, SKT HD CAP 8-32 X .750	91
2	-	1-23030-1	SCR, SKT HD CAP, S-LOCK, 8-32 X .625	90
4	-	2-22603-3	SCR, HEX HD CAP, 1N	89
2	-	2-21000-8	SCR, SKT HD CAP 8-32 X .625	88

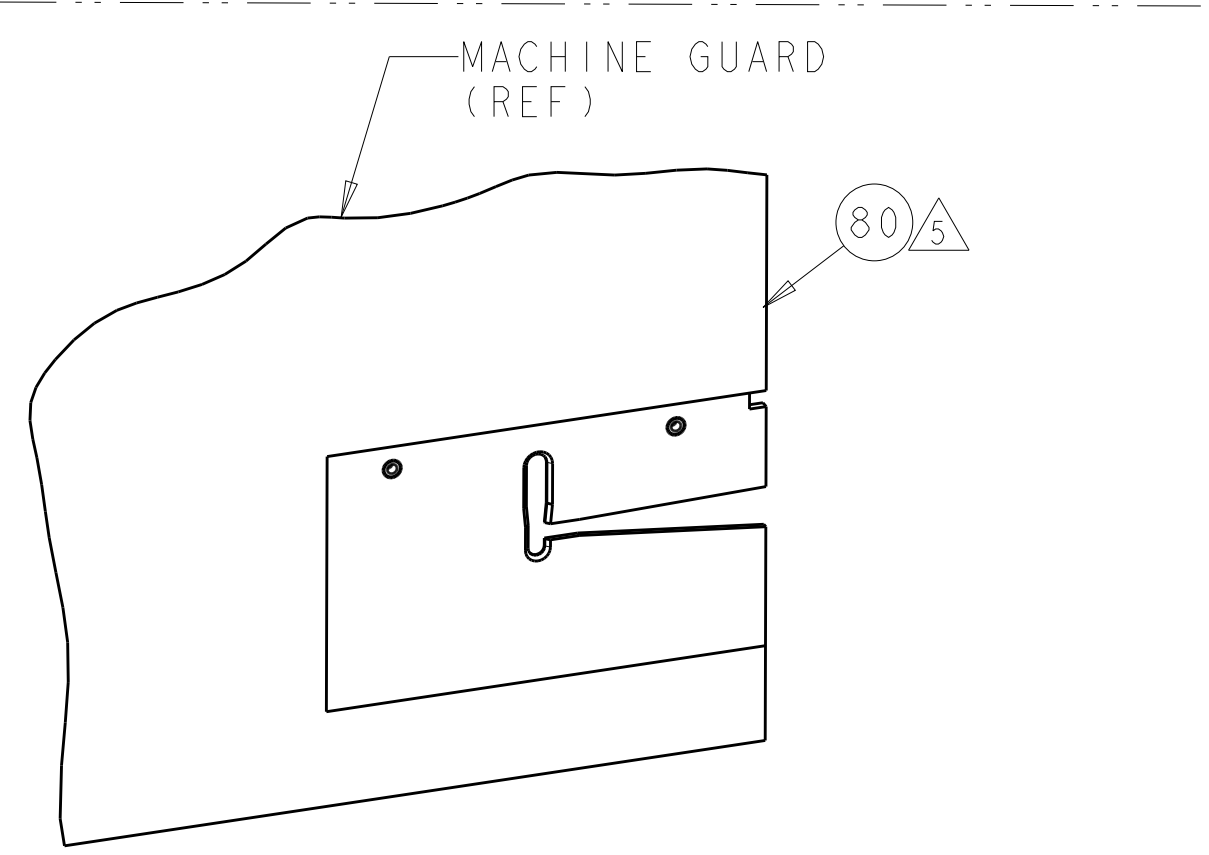
1	-	2-21002-1	SCR, BTN SKT HD CAP 8-32 X .375	87
2	-	21001-3	SCR, SKT HD CAP 1/4-20 X .625	86
1	-	23030-1	SCR, SKT HD CAP, S-LOCK, 6-32 X .25	84
REF	...	679532-1	INSERT, GUARD	80
1	-	462622-2	AIR FEED ASSEMBLY	78
2	-	21017-2	SCREW, DRIVE	76
1	-	461264-1	PLATE, IDENTIFICATION	75
1	-	690603-1	SPRING ASSIST AMP-O-MATOR APPLICATOR	72
1	-	456987-1	BLOCK, PIVOT	65
1	-	457058-1	PIN, PIVOT	64
1	-	318528-2	CAP, RAM	59
1	-	457079-1	HOUSING, MACHINING	58
1	-	25745-1	RING, SPLIT	56
1	-	240624-1	PIN, FEED FINGER	55
1	-	691499-1	SPRING-FEED FINGER	54
1	-	454568-3	FINGER, FEED	53
1	-	457057-1	PIVOT ARM	52
1	-	3-21002-5	SCR, BTN SKT HD CAP 1/4-20 X .750	49
1	-	22353-8	SCR, SHLD, SLOT HD, 3/16 DIA	47
1	-	690578-1	INSULATION ADJUST BLOCK	46
1	-	690191-1	PLUG, NYLON	45
1	-	454574-1	RAM, SPECIAL	44
1	-	690125-1	SHIM SUB-ASSY	43
1	-	1-690124-1	WASHER, RAM (.150)	42
1	-	23241-6	BALL, STEEL	40
1	-	690170-1	SPRING, COMPRESSION	39
1	-	690142-1	DISC, INSULATION	38
1	-	354777-1	WIRE DISC, ASSEMBLY	37
1	-	22480-5	WASHER, WAVE SPRING	36
1	-	690212-1	POST, RAM	35
1	-	3-23846-5	SPRING, DIE	34
1	-	690573-1	SPACER, SPRING	32
1	-	454569-2	MOUNT, DRAG	31
1	-	1-22354-8	STUD, THREADED	30
1	-	21030-2	PIN, DOWEL .1250 X .500	29
1	-	690582-1	PIN, HINGE	28
1	-	684905-1	PLATE, BASE	26
1	-	454579-5	BAR, HINGE	25
1	-	690571-1	STABILIZER	24
1	-	690585-2	BLOCK, SPRING PRESSURE	23
1	-	22282-5	SPRING, COMPRESSION	22
1	-	21030-6	PIN, DOWEL .1250 X 1.000	21
1	-	454570-1	DRAG, STOCK	20
1	-	454573-1	GUIDE, STRIP, REAR	19
1	-	318739-7	GUIDE, FRONT STRIP	18
1	-	2-22287-6	SPRING, EXTENSION	16
1	-	1-692134-8	TERMINAL POSITIONER	13
1	-	5-22280-5	SPRING, COMPRESSION	12
1	-	454712-7	PLATE, REAR SHEAR	11
1	-	454709-1	ANVIL, INSERT	10
1	-	690569-1	PLATE, SHEAR, FRONT	9
1	-	691523-3	ANVIL	8
1	-	454575-9	BLADE, SHEAR	7
1	-	684906-1	ANVIL RETAINING	5
1	-	690574-1	SPACER, TUBULAR	4
1	-	690588-1	CRIMPER, INSULATION PREMIUM	3
1	-	681153-1	SPACER, CRIMPER	2
1	-	690587-1	CRIMPER, WIRE	1
-1	U/M	PART NO	DESCRIPTION	ITEM NO

DIMENSIONS: IN 		TOLERANCES UNLESS OTHERWISE SPECIFIED: 0 PLC ±. 1 PLC ±. 2 PLC ±. 3 PLC ±. 4 PLC ±. ANGLES ±. FINISH		DWG: B. WEAVER 07FEB2007 CHK: T. ELBIN 07FEB2007 APVD: T. ELBIN 07FEB2007 PRODUCT SPEC APPLICATION SPEC WEIGHT CUSTOMER DRAWING		tyco Tyco Electronics Harrisburg, PA 17105-3608 NAME: APPLICATOR, HINGE BAR, .250 FLAG POS LOK-EX RECEPTACLE SIZE: A 00779 C=567408-2 SCALE: 1:1 SHEET 1 OF 2 REV: GI	
-----------------------	--	---	--	---	--	--	--

LOC		DIST		REVISONS			
A	66	P	LTN	DESCRIPTION	DATE	DWN	APVD
		-	-	SEE SHEET 1	-	-	-



SCALE 1:1



G-TERMINATOR GUARD

<small>THIS DRAWING IS UNPUBLISHED. IT IS THE PROPERTY OF TYCO ELECTRONICS CORPORATION. IT IS TO BE USED ONLY FOR THE PURPOSES AND IN THE MANNER SPECIFIED BY THE DRAWING. IT IS TO BE RETURNED TO TYCO ELECTRONICS CORPORATION UPON REQUEST.</small>		DWN: B. WEAVER 07FEB2007 CHK: T. ELBIN 07FEB2007 APVD: T. ELBIN 07FEB2007	tyco Electronics Tyco Electronics Harrisburg, PA 17105-3608
DIMENSIONS: IN 		TOLERANCES UNLESS OTHERWISE SPECIFIED: 0 PLC ±. 1 PLC ±. 2 PLC ±. 3 PLC ±. 4 PLC ±. ANGLES ±. FINISH	NAME: APPLICATOR, HINGE BAR, .250 FLAG POS LOK-EX RECEPTACLE PRODUCT SPEC: APPLICATION SPEC: SIZE: CAGE CODE DRAWING NO: A100779C=567408-2 WEIGHT: CUSTOMER DRAWING
MATERIAL:		SCALE: 3:5 SHEET: 2 OF 2 REV: G1	RESTRICTED TO:

CUSTOMER VIEWABLE ASSEMBLY