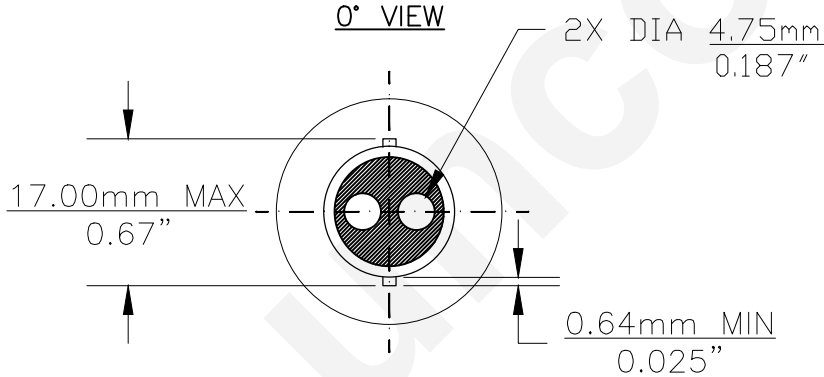
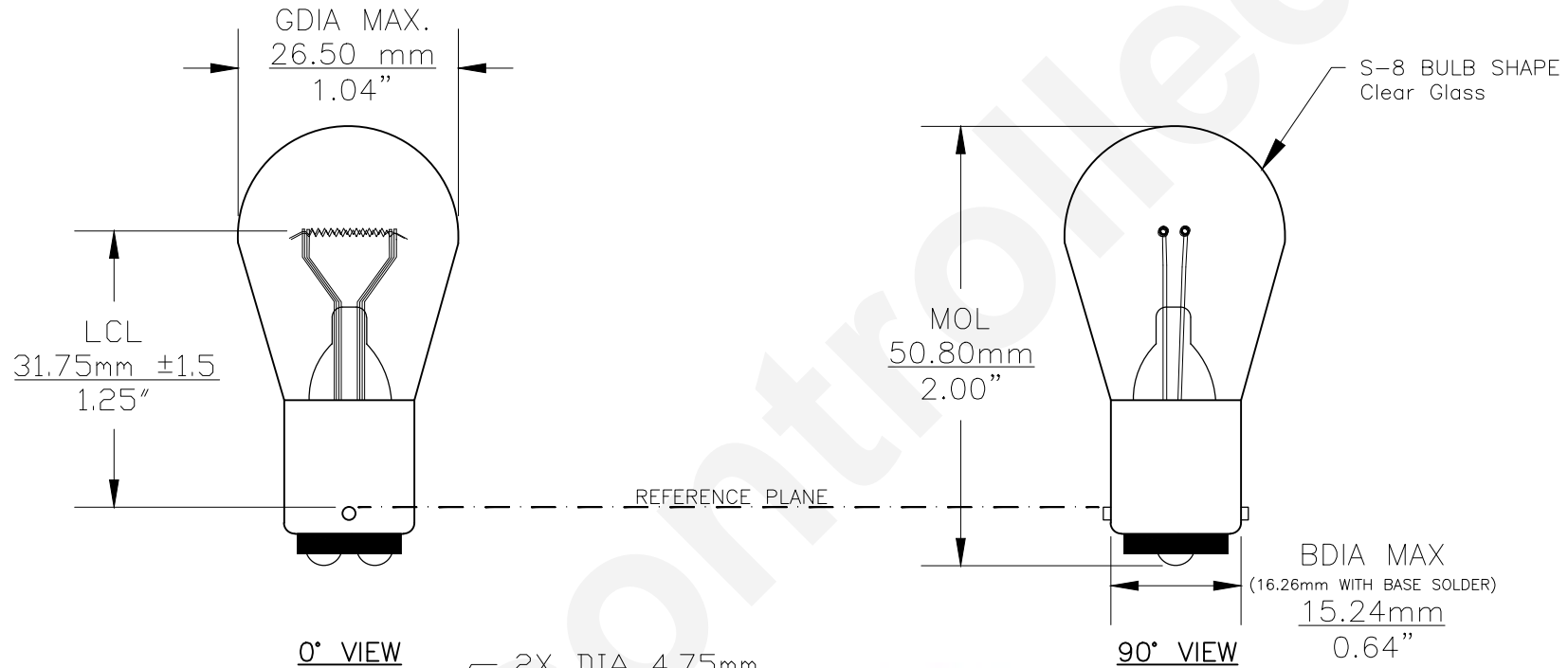




PART NO.	BASE TYPE	DESIGN VOLTS	DESIGN AMPS	MSCD	FILAMENT TYPE	AVERAGE LIFE HOURS	REVISIONS			
							REV #	DESCRIPTION	DATE	APPROVED
1638	D.C. BAYONET (BA15d)	28.0V	1.02±10%	32±15%	2C-6	500	1	ISSUED	02/02/2001	E.S.
							2	ADDITIONAL VIEW AND NOTES	11/02/2010	D.C.
							3	REDRAWN FOR ADDITIONAL VIEW	10/27/2014	R.M.



BASE BOTTOM VIEW



Note: Made according to SAE specifications

UNLESS OTHERWISE SPECIFIED: DIMENSIONS ARE IN INCHES TOLERANCES		CEC INDUSTRIES LTD			
DECIMALS .XX ± .05		599 BOND STREET		LINCOLNSHIRE, IL 60069	
ANGULAR .XXX ± .010		TITLE LIGHT BULB NO. 1638			
FRACTIONAL ±1/64		DATE 02/02/2001	SIZE A	FSCM NO. 1638	REV 1
DRAWN ELIZABETH SONANES	CHECKED	DESIGN	SCALE	PLOT SCALE	SHEET 1 OF 1
MATERIAL		FILE 1638.pdf	DRAWING NOT TO SCALE		