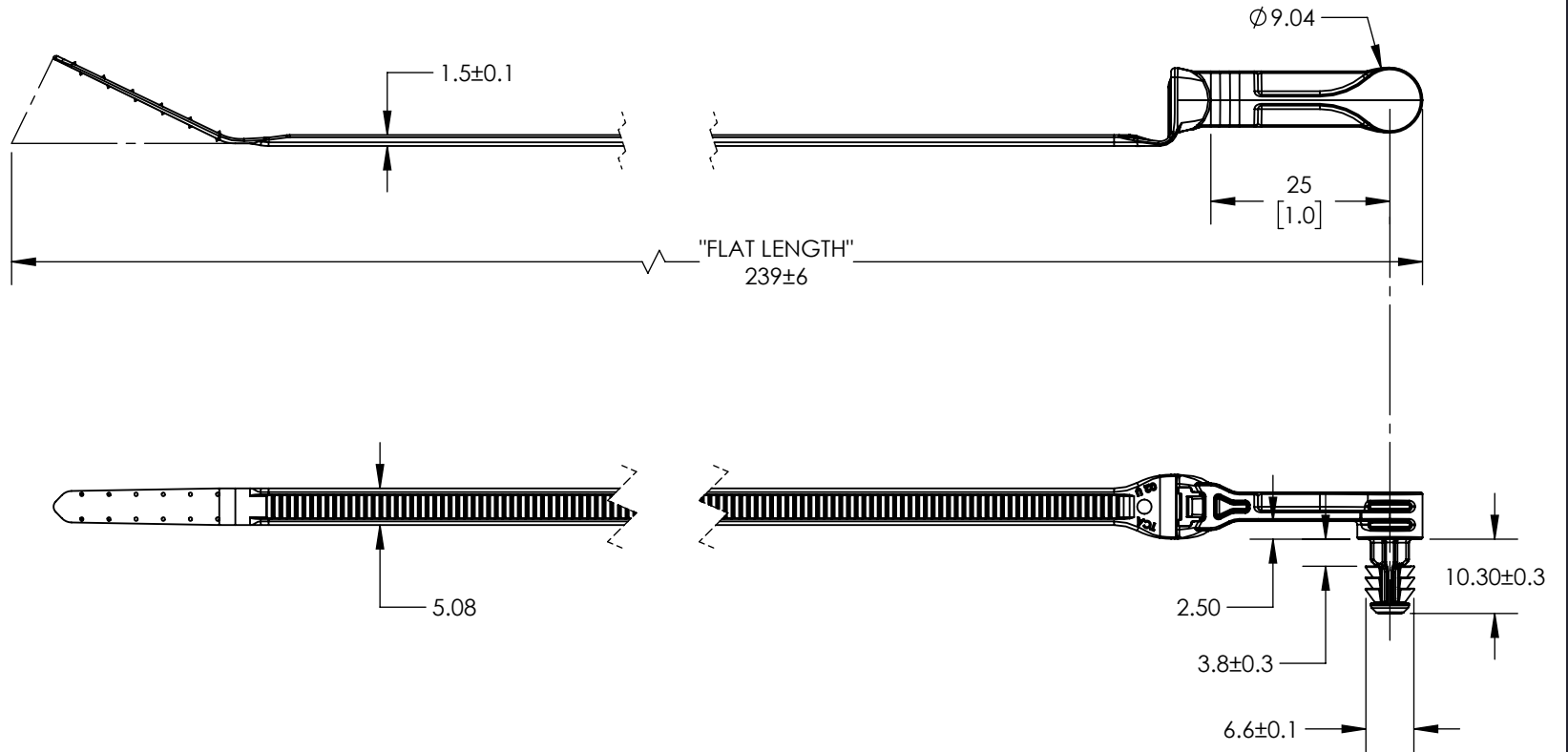


SW2017



| Revision level |                |      | Revision Record | Changed | Date      | Approved | Date      |
|----------------|----------------|------|-----------------|---------|-----------|----------|-----------|
| Drawing        | State          | Part |                 |         |           |          |           |
| 04.1           | Design Release | A    | SEE ECN# 014513 | GAL     | 7/30/2018 | JPG      | 7/30/2018 |



REFERENCE:

PERFORMANCE REQUIREMENTS:

1. FIR TREE PUSH IN FORCE: 45 NEWTONS (10LBS) MAX IN THE APPLICABLE NOMINAL HOLE SIZE AND A PLATE THICKNESS OF 3.0mm.
2. FIR TREE PERPENDICULAR TO MOUNT PULL OUT FORCE: 178 NEWTONS (40LBS) MIN IN THE APPLICABLE NOMINAL HOLE SIZE AND A PLATE THICKNESS OF 3.0mm.
3. SHEET METAL THICKNESS RANGE: 3.00mm - 4.25mm
4. APPLICABLE HOLE SIZES:  
A. 5.6mm +/- 0.2mm
5. CABLE TIE MIN. LOOP TENSILE STRENGTH: 225 NEWTONS (50LBS) MIN
6. BUNDLE RANGE: 1.8mm TO 50mm



| GLOBAL PART DESCRIPTION         | MATERIAL    | COLOR |
|---------------------------------|-------------|-------|
| T50ROSFT5.6SO25R-PA12-BK        | PA12        | BLACK |
| T50ROSFT5.6SO25R-PA66HIRHSUV-BK | PA66HIRHSUV | BLACK |

|                              |  |   |          |                        |                        |                 |  |                |             |
|------------------------------|--|---|----------|------------------------|------------------------|-----------------|--|----------------|-------------|
| Material<br><b>SEE CHART</b> | Units: <b>millimeters</b>  | The copyright of this drawing is reserved by HellermannTyton. It is issued on condition that it is not reproduced, copied, or disclosed to a third party, either wholly or in part, without the consent of HellermannTyton. | Drawn    | GAL                    | 8/11/17                | Article/Type-No | T50ROSFT5.6SO25R   | Scale          | 1:1         |
|                              | Dimension without tolerances details to:<br>.xxx = ±.013<br>.xx = ±.13<br>.x = ±.3<br>None = ±.8<br>∠ = ±0.5°<br>Dimension Formatted mm/[in] |   | Approved | KAC                    | 8/11/17                | Title           | <b>50LB LOW PROFILE TIE WITH 25mm OFFSET AND FT5.6 FIR TREE (ROTATED SERIES)</b> | Project Number | PRP 17-1045 |
|                              | <b>HellermannTyton</b><br>North America<br>Email: corp@htamericas.com<br>Web: www.hellermann.tyton.com                                       |   |          | Drawing-No             | Pre-Production : Phase |                 | Format   | AH             |             |
|                              |  |   |          | <b>17-1045-001-CSU</b> |                        |                 | Sheet  | 1/1            |             |