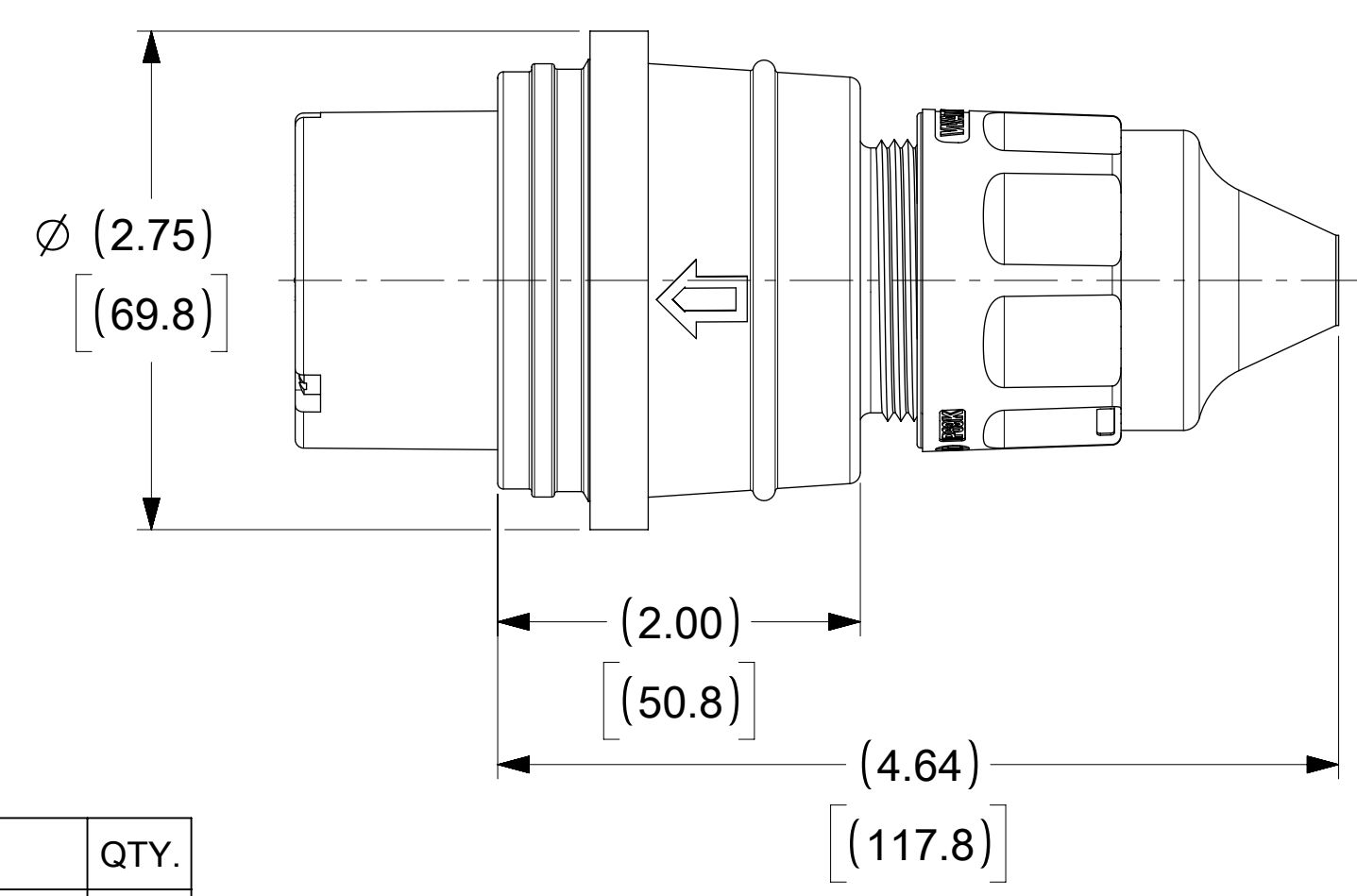
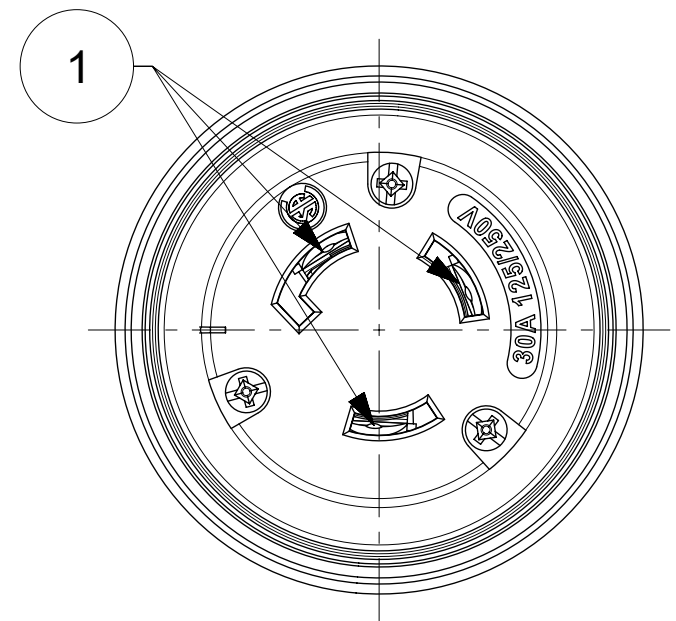
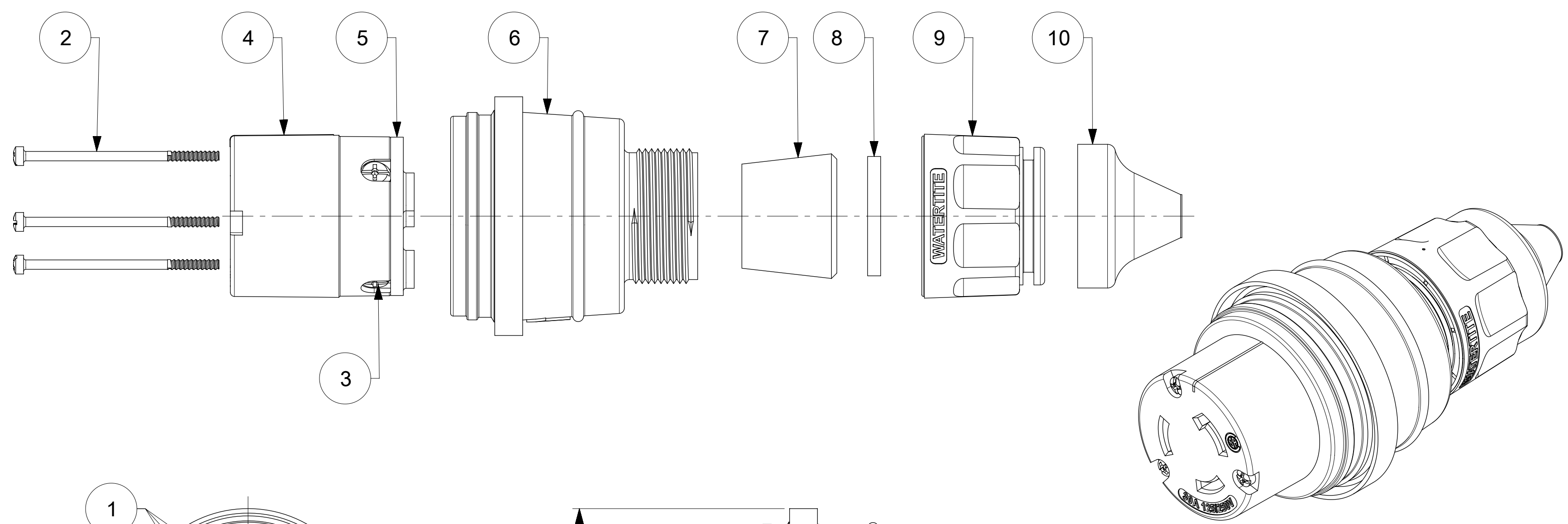


ORDER NO.	WOODHEAD NO.	COLOR
130147-0090	29W08MB	YELLOW



NOTE:  
1. "ACCEPT CABLE RANGE FROM .562" TO 1.00"

ITEM NO.	DESCRIPTIONS	MATERIAL	QTY.
1	BLADE	BRASS, NICKEL PLATED	3
2	RETAINING SCREWS	STAINLESS STEEL	3
3	CLAMP AND TERMINAL SCREW ASSY	BRASS, ZINC PLATED	3
4	INSERT	NYLON	1
5	TERMINAL COVER	POLYCARBONATE	1
6	HOUSING	SILICONE WITH NYLON THREAD	1
7	GROMMET	RUBBER	4
8	FRICTION RING	NYLON	1
9	COMPRESSION NUT	NYLON	1
10	CABLE GLOVE	SILICONE	1

SYMBOLS		THIS DRAWING CONTAINS INFORMATION THAT IS PROPRIETARY TO MOLEX ELECTRONIC TECHNOLOGIES, LLC AND SHOULD NOT BE USED WITHOUT WRITTEN PERMISSION	
▽ = 0	INCH[MM]	SCALE	CURRENT REV DESC:
▽ = 0	NTS	GENERAL TOLERANCES (UNLESS SPECIFIED)	
▽ = 0		MM	INCH
▽ = 0	4 PLACES ±		
▽ = 0	3 PLACES ±		
▽ = 0	2 PLACES ±		
▽ = 0	1 PLACE ±		
▽ = 0	0 PLACES ±		
▽ = 0	ANGULAR TOL ± °		
▽ = 0	DRAFT WHERE APPLICABLE MUST REMAIN WITHIN DIMENSIONS	THIRD ANGLE PROJECTION	DRAWING SERIES
		C-SIZE	130147
EC NO: 617525		2019/02/15	
DRWN: SRPATIL		2019/05/30	
CHK'D: DNGUYEN62		2019/10/16	
APPR: HKNEELAND		INITIAL REVISION:	
		DRWN: SRPATIL	
		2019/02/15	
		APPR: HKNEELAND	
		2019/10/16	
DOCUMENT NUMBER		DOC TYPE	DOC PART
1301470090		PSD	000
MATERIAL NUMBER		CUSTOMER	SHEET NUMBER
SEE TABLE		GENERAL MARKET	1 OF 1