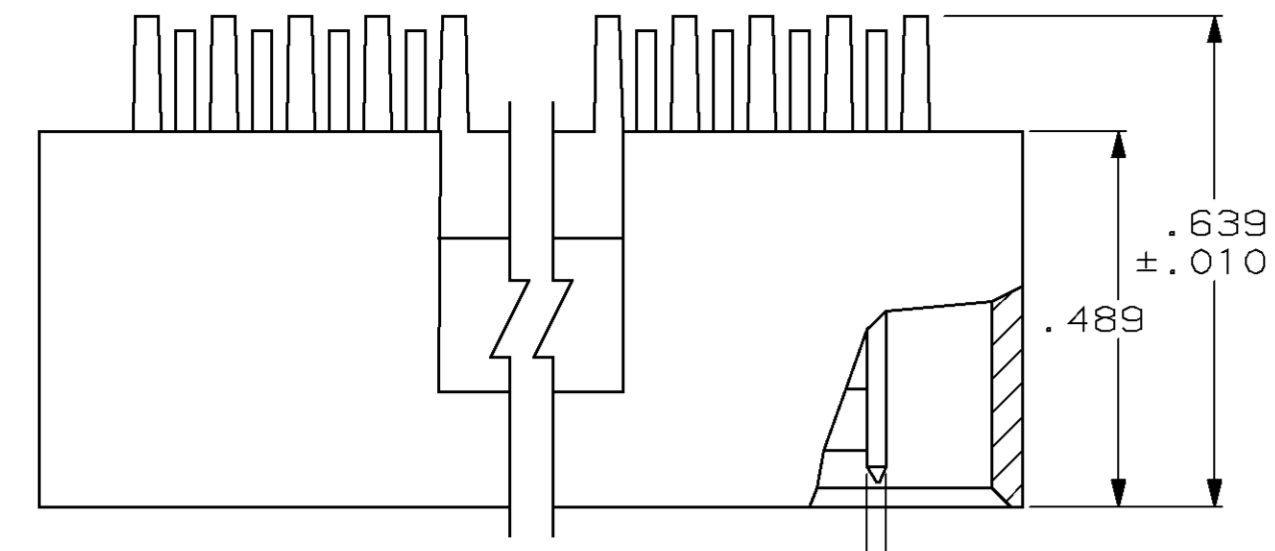
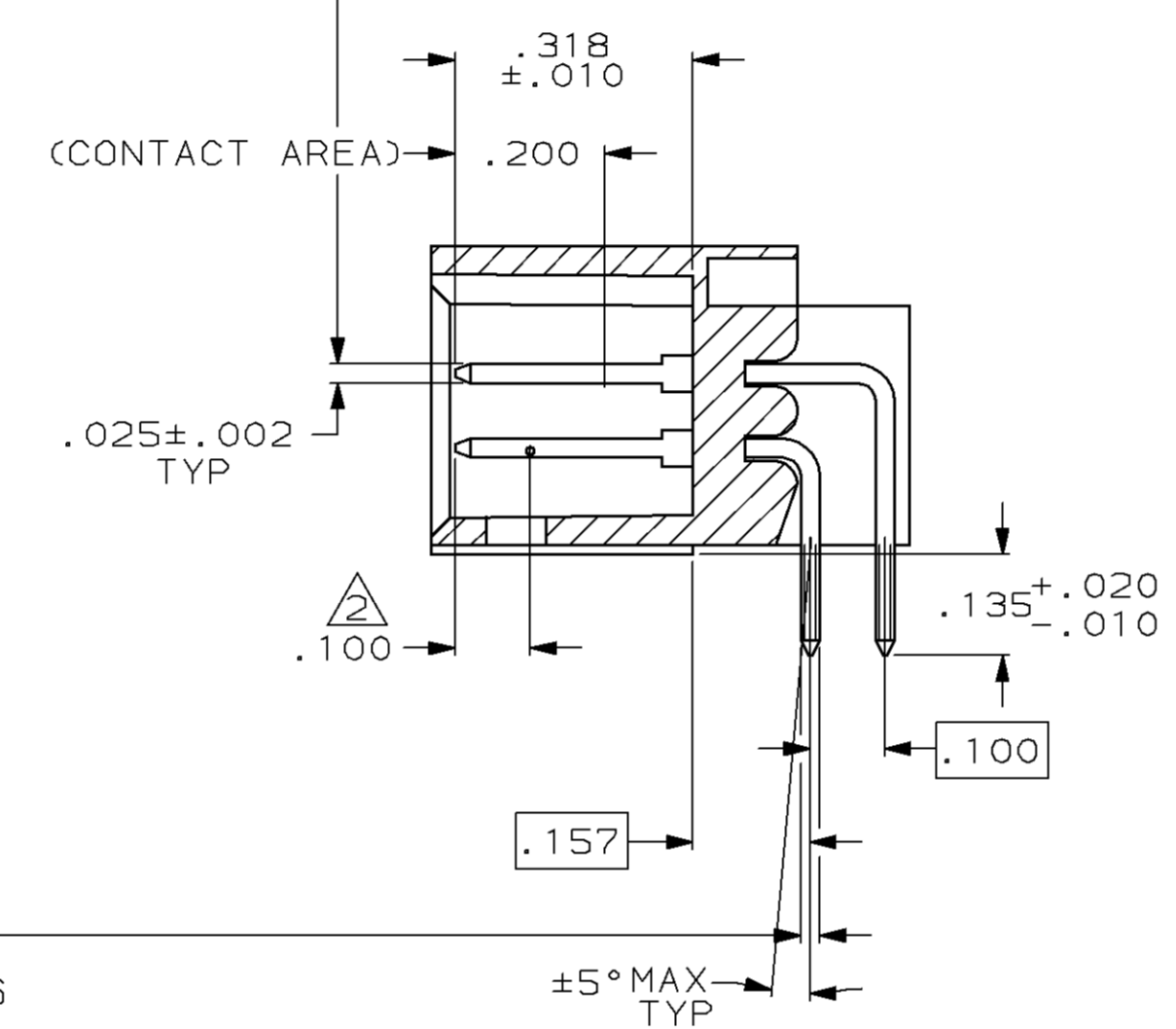
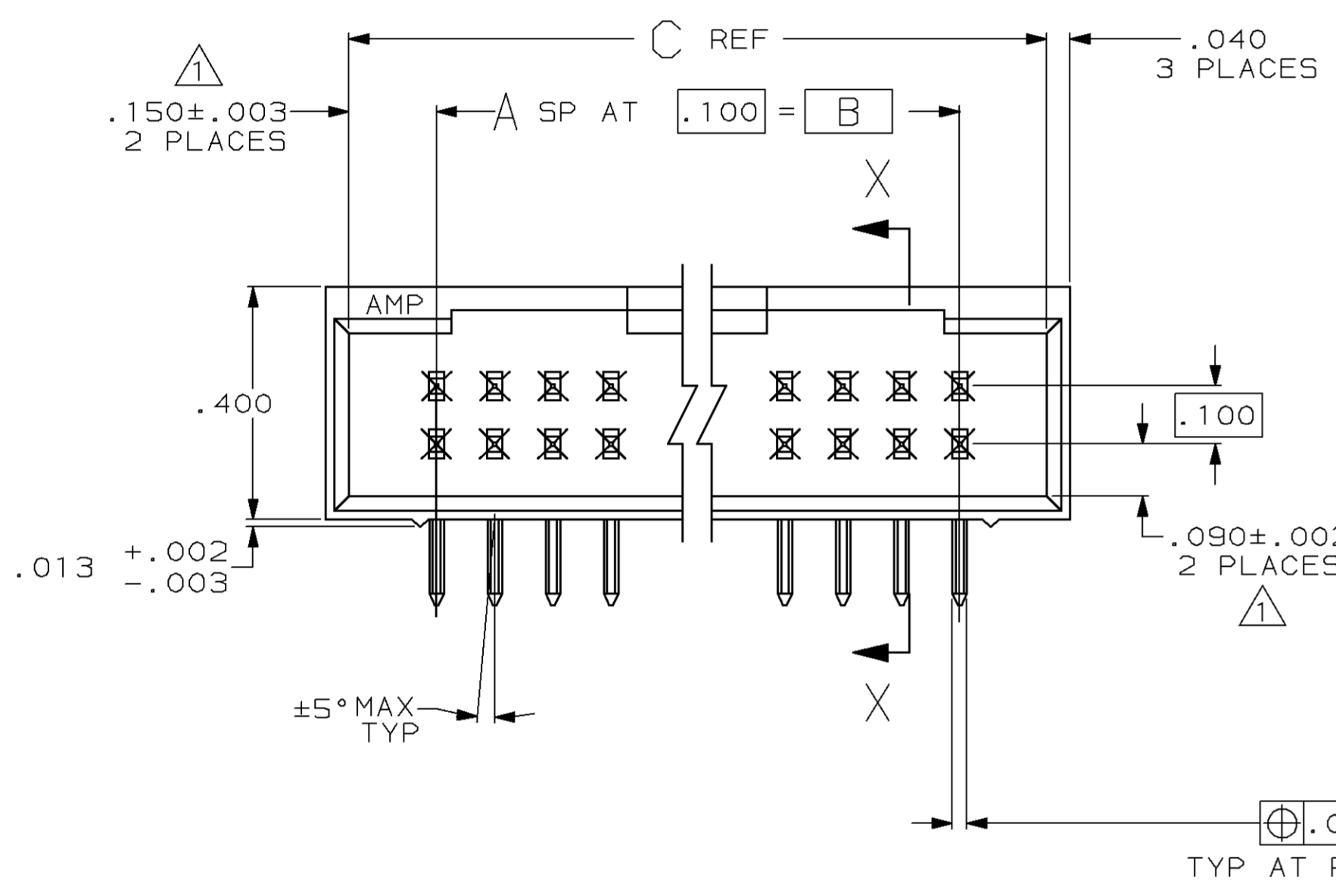


① THE NOTED DIMENSIONS APPLY AT THE INTERSECTION OF THE POST AND HOUSING
 ② POINT OF MEASUREMENT FOR PLATING THICKNESS
 ③ OBSOLETE PART NUMBER

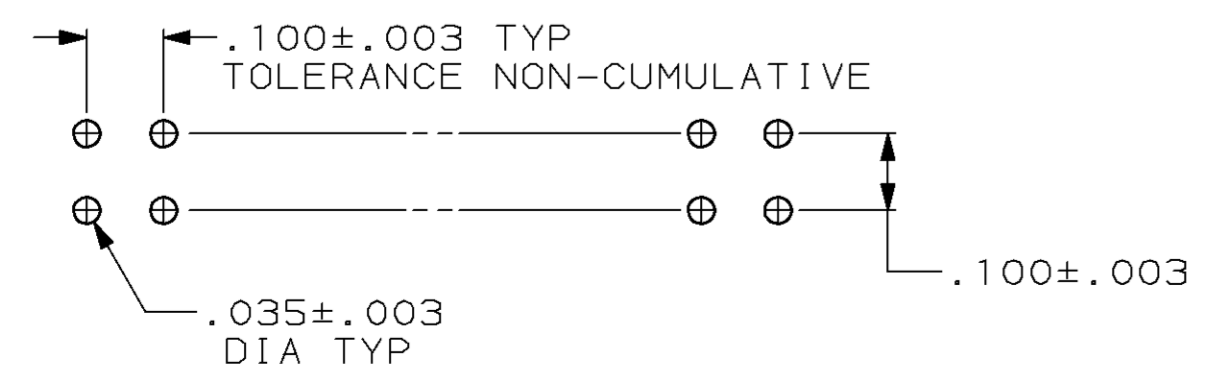
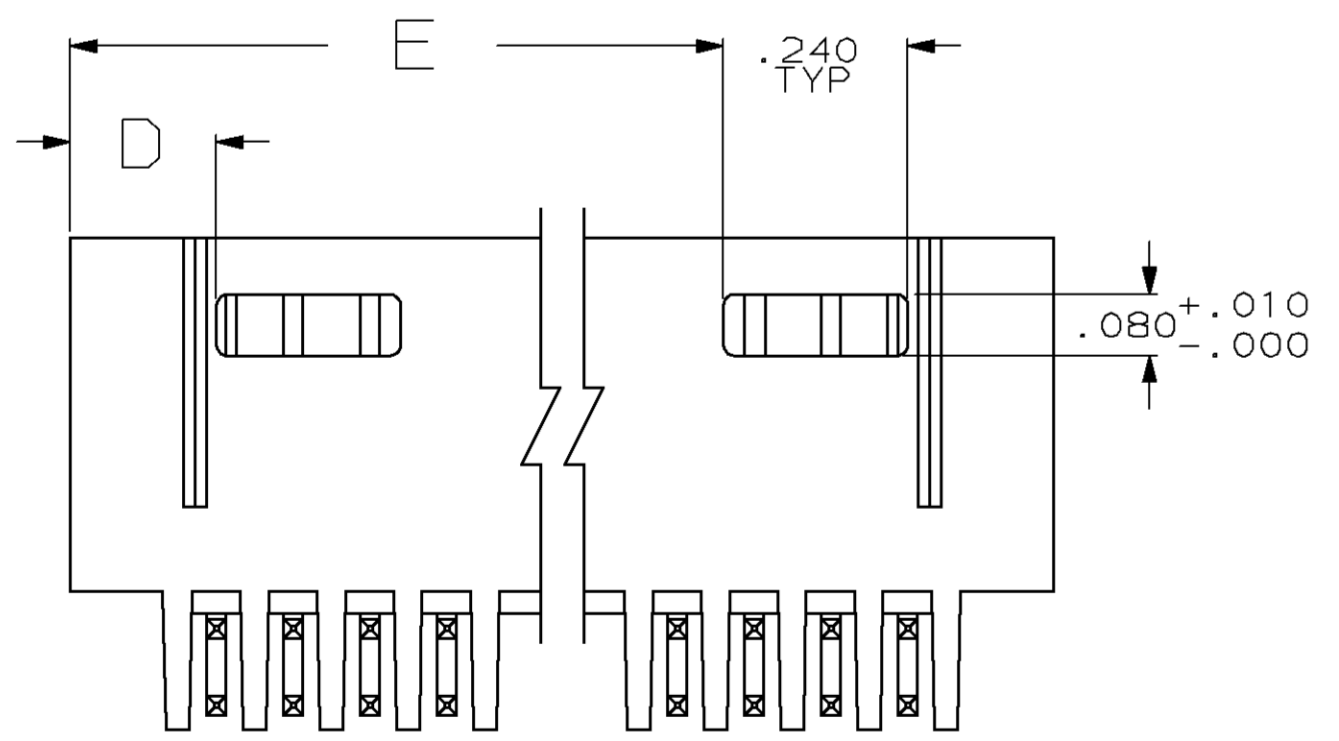
MOD	LOC	DIST	P	F	ZONE	LTR	DESCRIPTION	DATE	APPD
25	AD	39							
						A	REV&REDRAWN ECN 1643	-	-
						B	REV PER AR-2217	BM	-
						C	REV PER ECN AR2699	10-03-89	KIH
						D	REV LOC & DIST AD-4171	3-90	BF
						E	ECN AD-4707	08/02/90	KIH
						F	REV PER 0310-0040-96	12-16-96	SAS
						G	REV PER 0310-0431-97	18JUL97	SAS



.025 ± .001 TYP
 TYP AT POST TIPS



SECTION X-X



RECOMMENDED HOLE LAYOUT

3.490	.190	3.800	3.500	35	72	3-102570-3
3.390	.190	3.700	3.400	34	70	3-102570-2
3.290	.190	3.600	3.300	33	68	3-102570-1
3.190	.190	3.500	3.200	32	66	3-102570-0
3.090	.190	3.400	3.100	31	64	2-102570-9
2.990	.190	3.300	3.000	30	62	2-102570-8
2.890	.190	3.200	2.900	29	60	2-102570-7
2.790	.190	3.100	2.800	28	58	2-102570-6
2.690	.190	3.000	2.700	27	56	2-102570-5
2.590	.190	2.900	2.600	26	54	2-102570-4
2.490	.190	2.800	2.500	25	52	2-102570-3
2.390	.190	2.700	2.400	24	50	2-102570-2
2.290	.190	2.600	2.300	23	48	2-102570-1
2.190	.190	2.500	2.200	22	46	2-102570-0
2.090	.190	2.400	2.100	21	44	1-102570-9
1.990	.190	2.300	2.000	20	42	1-102570-8
1.790	.190	2.100	1.800	18	38	1-102570-7
1.690	.190	2.000	1.700	17	36	1-102570-6
1.590	.190	1.900	1.600	16	34	1-102570-5
1.490	.190	1.800	1.500	15	32	1-102570-4
1.390	.190	1.700	1.400	14	30	1-102570-3
1.290	.190	1.600	1.300	13	28	1-102570-2
1.190	.190	1.500	1.200	12	26	1-102570-1
1.090	.190	1.400	1.100	11	24	1-102570-0
.990	.190	1.300	1.000	10	22	102570-9
.890	.190	1.200	.900	9	20	102570-8
.790	.190	1.100	.800	8	18	102570-7
.690	.190	1.000	.700	7	16	102570-6
.590	.190	.900	.600	6	14	102570-5
.490	.190	.800	.500	5	12	102570-4
.390	.190	.700	.400	4	10	102570-3
.290	.190	.600	.300	3	8	102570-2
1.890	.190	2.200	1.900	19	40	102570-1

UNLESS OTHERWISE SPECIFIED DIMENSIONS ARE IN INCHES TOLERANCES ON :		DR 8-25-87 H MOLL		AMP INCORPORATED Harrisburg, Pa. 17105
2 PL DEC ± .005 3 PL DEC ± .005 ANGLES ± .		CHK 8-21-87 L A MAYER		
MATERIAL: HOUSING: FLAME RETARDANT THERMOPLASTIC, COLOR-BLACK		APPD 8-21-87 R FEIDT		NAME HDR ASSY, MOD II, SHROUDED, 4 SIDES, DBL ROW, .100X.100¢, RIGHT ANGLE, W/ .025 SQ POSTS
POSTS: PHOS BRONZE FINISH: POSTS: .000015 GOLD IN CONTACT AREA, .000100-.000200 MATTE TIN- LEAD ON SOLDER TAIL, ALL OVER .000050 NICKEL		APPD 8-25-87 R ELICKER PRODUCT SPEC		
SIZE: D		FSCM NO	DRAWING NO	SHEET 1 OF 1 CUSTOMER DRAWING
SCALE 4:1		00779	102570	