

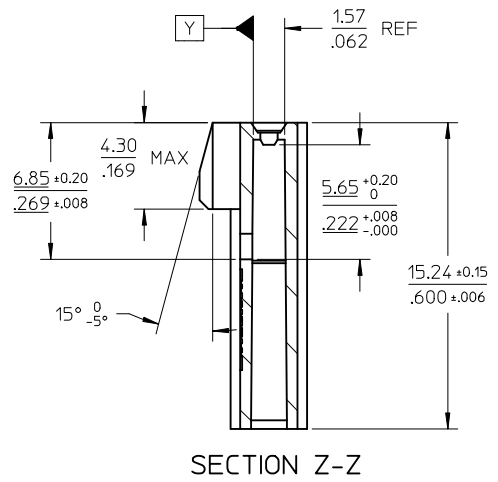
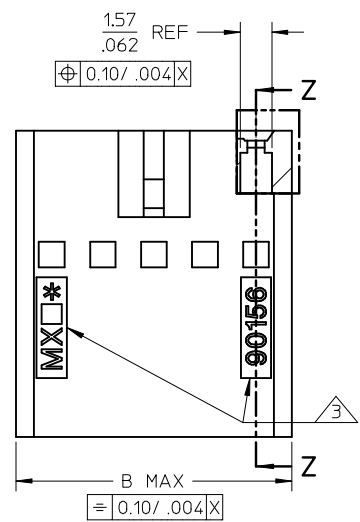
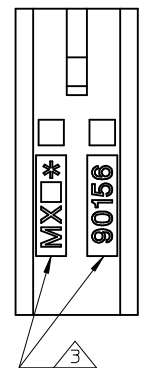
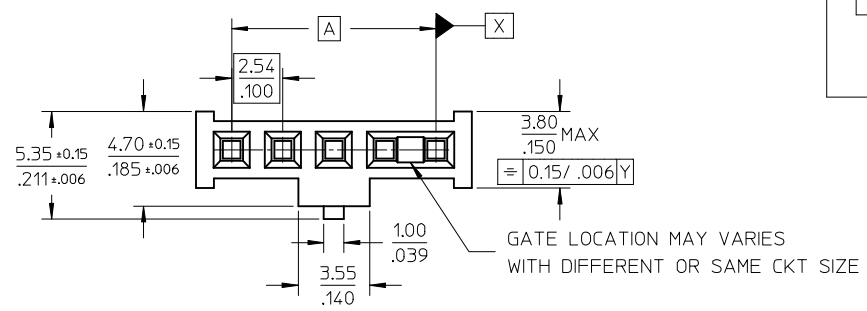
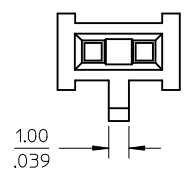
10 9 8 7 6 5 4 3 2 1

2 & 3  
CIRCUITS

4 TO 32  
CIRCUITS

PART NUMBER:  
90156-XXXX

CIRCUIT SIZE  
REF. NO  
(SEE CHART)  
MATERIAL CODE :  
SEE NOTE 1



No. OF CKTS	PART NUMBER	DIM A	DIM B
2	90156-XX42	( 2.54 ) / .100	( 6.14 ) / .342
3	-XX43	( 5.08 ) / .200	( 8.68 ) / .342
4	-XX44	( 7.62 ) / .300	( 11.22 ) / .442
5	-XX45	( 10.16 ) / .400	( 13.76 ) / .542
6	-XX46	( 12.70 ) / .500	( 16.30 ) / .642
7	-XX47	( 15.24 ) / .600	( 18.84 ) / .742
8	-XX48	( 17.78 ) / .700	( 21.38 ) / .842
9	-XX49	( 20.32 ) / .800	( 23.92 ) / .942
10	-XX50	( 22.86 ) / .900	( 26.46 ) / 1.042
11			
12	-XX52	( 27.94 ) / 1.100	( 31.54 ) / 1.242
13	-XX53	( 30.48 ) / 1.200	( 34.08 ) / 1.342
14	-XX54	( 33.02 ) / 1.300	( 36.62 ) / 1.442
15	-XX55	( 35.56 ) / 1.400	( 39.16 ) / 1.542
16	-XX56	( 38.10 ) / 1.500	( 41.70 ) / 1.642
17			
18	-XX58	( 43.18 ) / 1.700	( 46.78 ) / 1.842
19			
20	-XX60	( 48.26 ) / 1.900	( 51.86 ) / 2.042
21			
22	-XX62	( 53.34 ) / 2.100	( 56.94 ) / 2.242
23			
24			
25	-XX65	( 60.96 ) / 2.400	( 64.56 ) / 2.542
26			
27			
28			
29			
30	-XX70	( 73.66 ) / 2.900	( 77.26 ) / 3.042
31			
32	90156-XX72	( 78.74 ) / 3.100	( 82.34 ) / 3.242

- NOTES:
- MATERIAL CODE XX: 90156 - XX \*\* :  
01 - POLYPHENYLENE OXIDE (PPO) UL94 V-1 COLOR: BLACK  
10 - GLOW WIRE OPTION POLYESTER (PBT) UL94 V-2 COLOR: NATURAL
  - PRODUCT SPECIFICATION: PS-99020-0001
  - MOLEX LOGO, SERIES NUMBER AND CAVITY ID TO BE PLACED ON THIS FACE.

+ MX LOGO & SERIES	EC NO: S2017-0535	2017/04/10	2017/04/10
	DRWN:CGOH	2017/04/17	2017/04/17
	CHKD:FCSS00		
	APPR:KHLIM		
REV	Q4		

QUALITY SYMBOLS	$F_A=0$	GENERAL TOLERANCES (UNLESS SPECIFIED)	DIMENSION STYLE	
	$F_C=0$		mm	INCH
	$F_P=0$	4 PLACES ± --- ± ---	DRAWN BY DATE	
		3 PLACES ± --- ± .004	GMC SWEEN 2004/05/07	
		2 PLACES ± 0.20 ± ---	CHECKED BY DATE	
		1 PLACE ± --- ± ---	J DENNEHY 2004/05/13	
		0 PLACE ± --- ± ---	APPROVED BY DATE	
			KHLIM 2015/11/05	
		ANGULAR ± 2 °	MATERIAL NO.	
		DRAFT WHERE APPLICABLE MUST REMAIN WITHIN DIMENSIONS	SEE TABLE	

SCALE NTS	DESIGN UNITS METRIC	THIRD ANGLE PROJECTION	TITLE C GRID III SINGLE ROW CRIMP CONNECTOR HOUSING
DOCUMENT NO. SDA-90156		SHEET NO. 1 OF 1	
THIS DRAWING CONTAINS INFORMATION THAT IS PROPRIETARY TO MOLEX INCORPORATED AND SHOULD NOT BE USED WITHOUT WRITTEN PERMISSION			

9 8 7 6 5 4 3 2 1

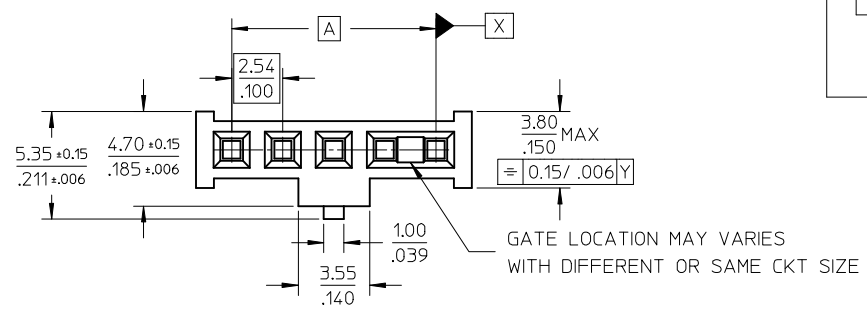
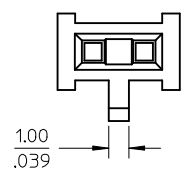
10 9 8 7 6 5 4 3 2 1

2 & 3  
CIRCUITS

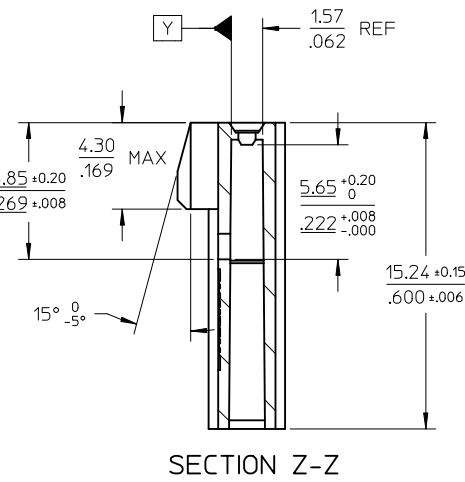
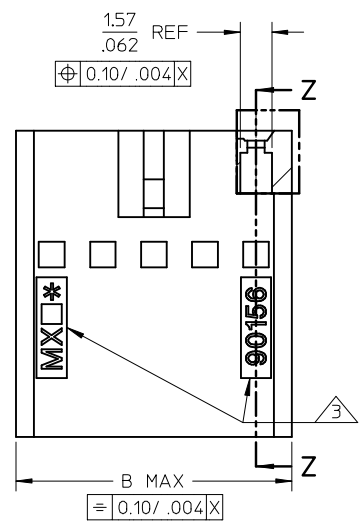
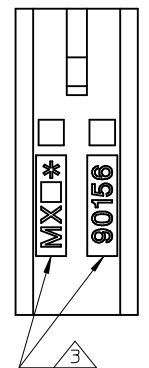
4 TO 32  
CIRCUITS

PART NUMBER:  
90156-XXXX

CIRCUIT SIZE  
REF. NO  
(SEE CHART)  
MATERIAL CODE :  
SEE NOTE 1



GATE LOCATION MAY Varies  
WITH DIFFERENT OR SAME CKT SIZE



No. OF CKTS	PART NUMBER	DIM A	DIM B
2	90156-XX42	( 2.54 ) / .100	( 6.14 ) / .342
3	-XX43	( 5.08 ) / .200	( 8.68 ) / .342
4	-XX44	( 7.62 ) / .300	( 11.22 ) / .442
5	-XX45	( 10.16 ) / .400	( 13.76 ) / .542
6	-XX46	( 12.70 ) / .500	( 16.30 ) / .642
7	-XX47	( 15.24 ) / .600	( 18.84 ) / .742
8	-XX48	( 17.78 ) / .700	( 21.38 ) / .842
9	-XX49	( 20.32 ) / .800	( 23.92 ) / .942
10	-XX50	( 22.86 ) / .900	( 26.46 ) / 1.042
11			
12	-XX52	( 27.94 ) / 1.100	( 31.54 ) / 1.242
13	-XX53	( 30.48 ) / 1.200	( 34.08 ) / 1.342
14	-XX54	( 33.02 ) / 1.300	( 36.62 ) / 1.442
15	-XX55	( 35.56 ) / 1.400	( 39.16 ) / 1.542
16	-XX56	( 38.10 ) / 1.500	( 41.70 ) / 1.642
17			
18	-XX58	( 43.18 ) / 1.700	( 46.78 ) / 1.842
19			
20	-XX60	( 48.26 ) / 1.900	( 51.86 ) / 2.042
21			
22	-XX62	( 53.34 ) / 2.100	( 56.94 ) / 2.242
23			
24			
25	-XX65	( 60.96 ) / 2.400	( 64.56 ) / 2.542
26			
27			
28			
29			
30	-XX70	( 73.66 ) / 2.900	( 77.26 ) / 3.042
31			
32	90156-XX72	( 78.74 ) / 3.100	( 82.34 ) / 3.242

- NOTES:
- MATERIAL CODE XX: 90156 - XX \*\* :  
01 - POLYPHENYLENE OXIDE (PPO) UL94 V-1 COLOR: BLACK  
10 - GLOW WIRE OPTION POLYESTER (PBT) UL94 V-2 COLOR: NATURAL
  - PRODUCT SPECIFICATION: PS-99020-0001
  - MOLEX LOGO, SERIES NUMBER AND CAVITY ID TO BE PLACED ON THIS FACE.

+ MX LOGO & SERIES	EC NO: S2017-0535	2017/04/10	2017/04/10
	DRWN:CGOH	2017/04/10	2017/04/10
	CHKD:FCSS00	2017/04/10	2017/04/10
	APPR:KHLIM	2017/04/10	2017/04/10
REV	Q4		

QUALITY SYMBOLS	$F_A=0$	$F_C=0$	$F_P=0$
	GENERAL TOLERANCES (UNLESS SPECIFIED)		
	mm	INCH	
	4 PLACES	± ---	± ---
	3 PLACES	± ---	± .004
	2 PLACES	± 0.20	± ---
	1 PLACE	± ---	± ---
	0 PLACE	± ---	± ---
	ANGULAR ± 2 °		
	DRAFT WHERE APPLICABLE MUST REMAIN WITHIN DIMENSIONS		

DIMENSION STYLE		SCALE	DESIGN UNITS	THIRD ANGLE PROJECTION
MM/IN		NTS	METRIC	
DRAWN BY	DATE	TITLE		
GMC SWEEN	2004/05/07	C GRID III SINGLE ROW CRIMP CONNECTOR HOUSING		
CHECKED BY	DATE			
JDENNEHY	2004/05/13			
APPROVED BY	DATE			
KHLIM	2015/11/05			
MATERIAL NO.	DOCUMENT NO.	SHEET NO.		
SEE TABLE	SDA-90156	1 OF 1		

THIS DRAWING CONTAINS INFORMATION THAT IS PROPRIETARY TO MOLEX INCORPORATED AND SHOULD NOT BE USED WITHOUT WRITTEN PERMISSION

9 8 7 6 5 4 3 2 1