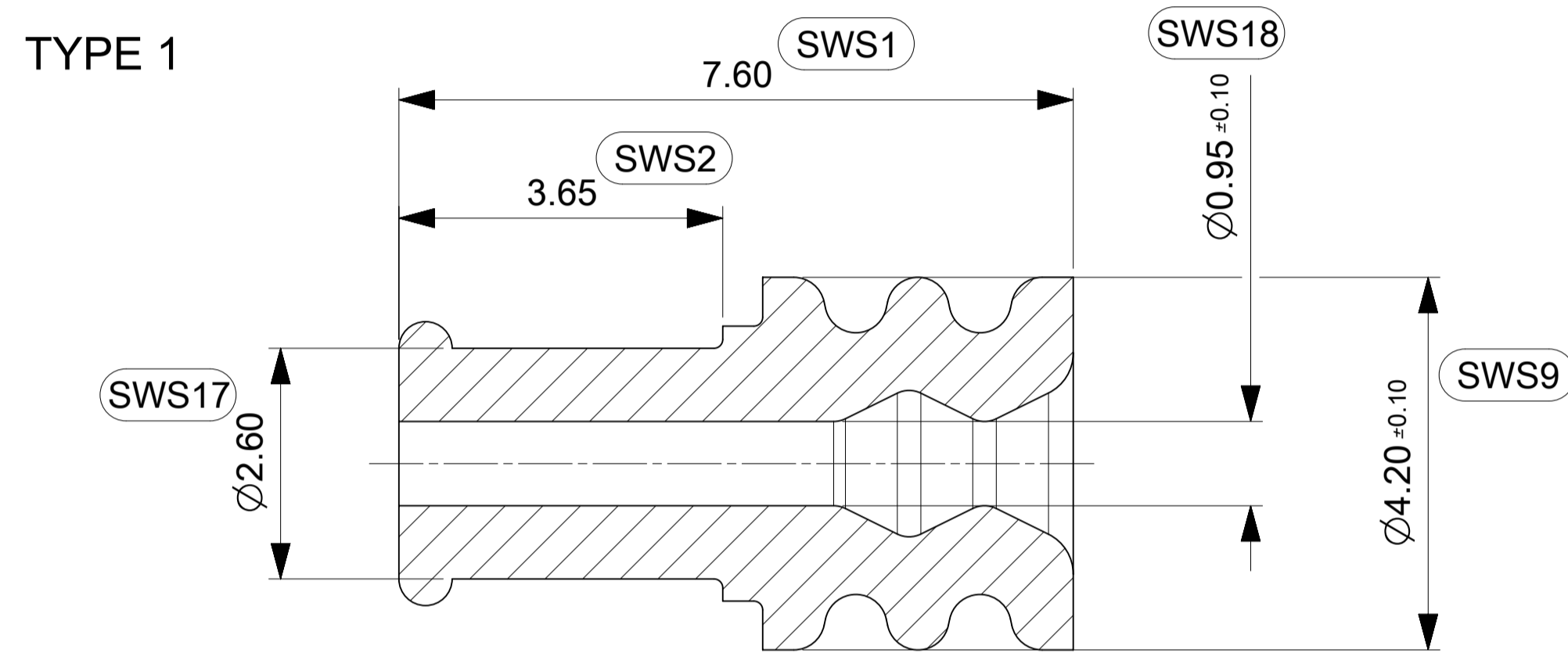
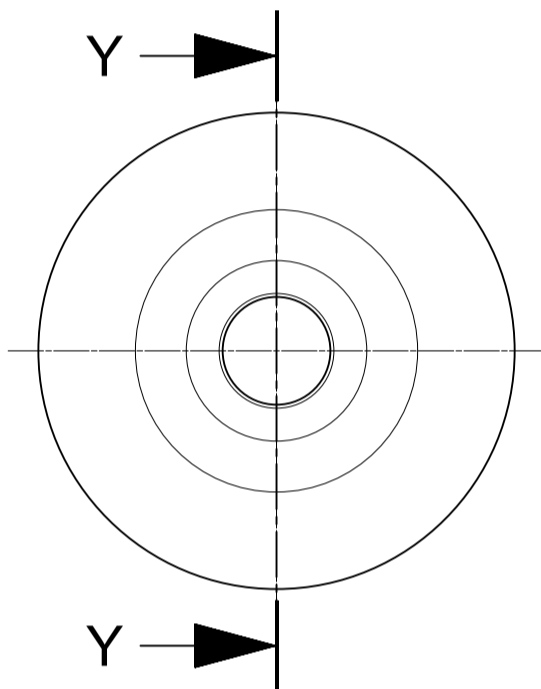
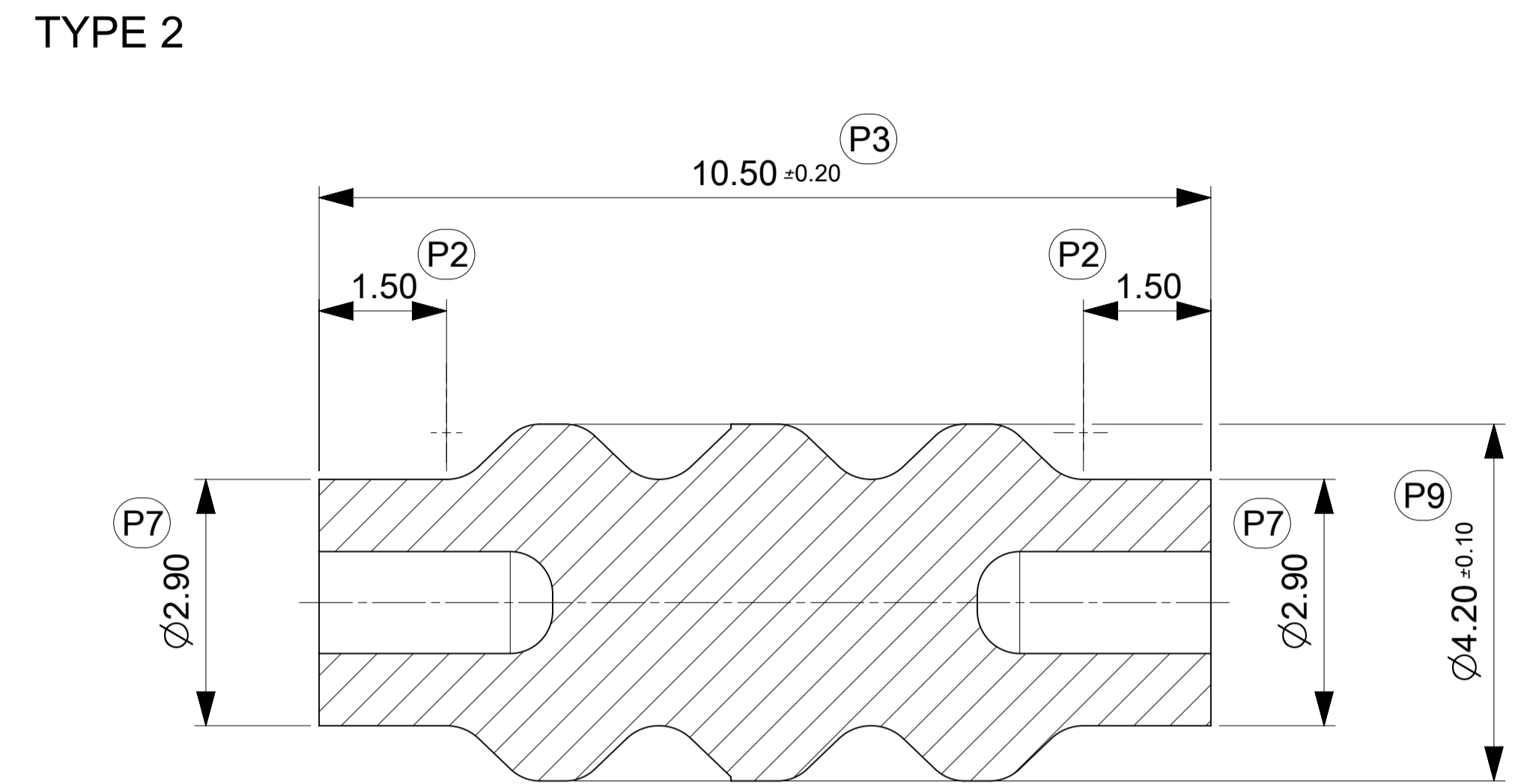
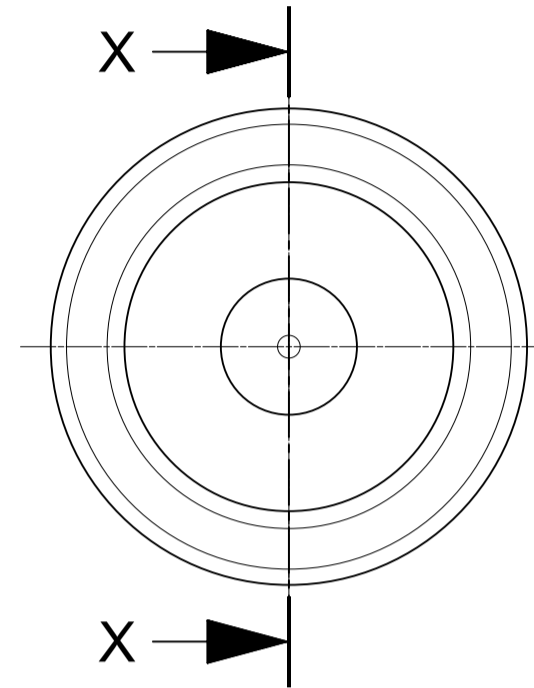


SECTION Z-Z  
P/N : 0643251085

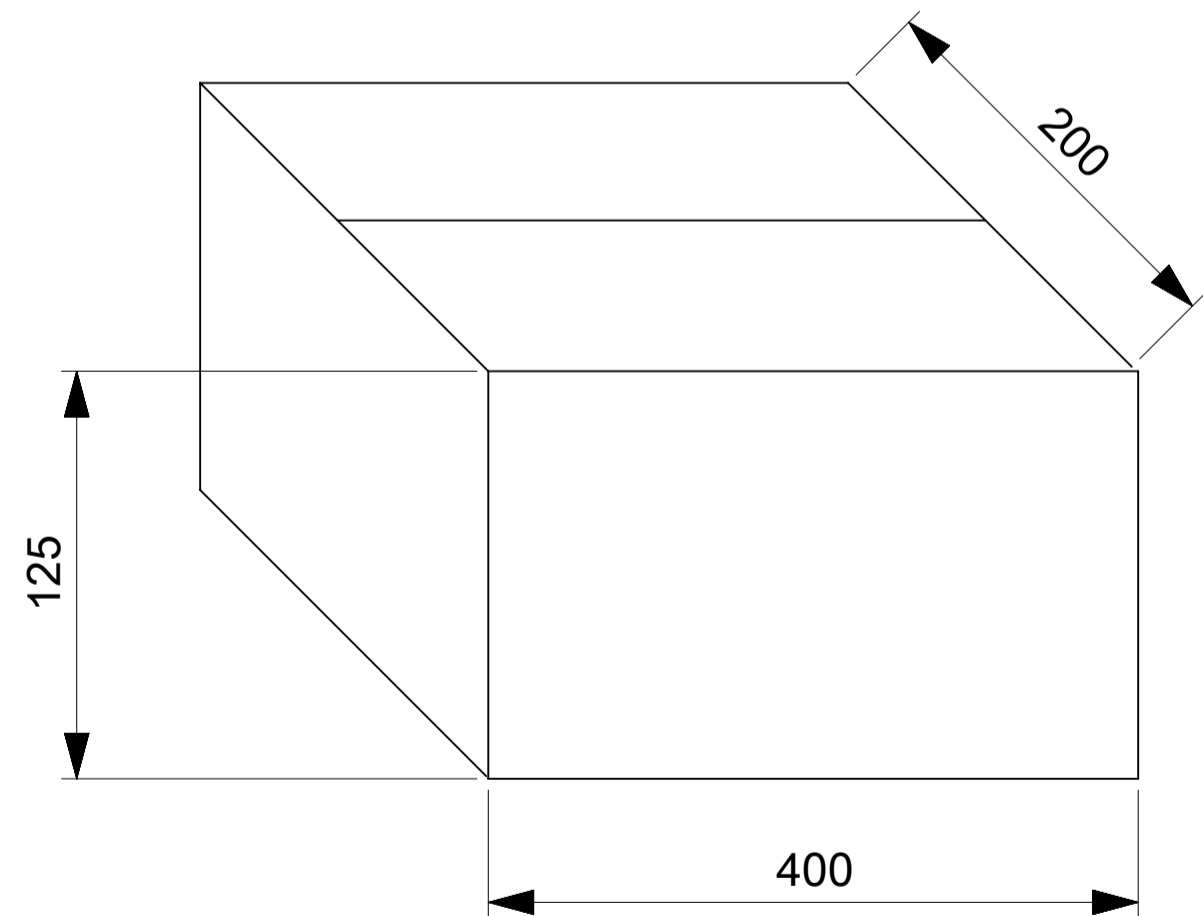


SECTION Y-Y  
P/N : 0643251086



SECTION X-X  
P/N : 0643251088

CONDITIONNEMENT LIVRAISON EN VRAC / BULK PACKAGING



0643251085: 30 000 SEALS (1 BAG) PER CARDBOARD.  
0643251086: 30 000 SEALS (1 BAG) PER CARDBOARD.  
0643251088: 25 000 SEALS (1 BAG) PER CARDBOARD.

PACKAGING SIZE : 400 mm x 200 mm x 125 mm

NOTA:  
FLASH 0.1 MAX. NO CUT, NO SHORT SHOTS,  
NO TEAR, NO DISTORTION ON SEAL LIPS ALLOWED.



MOLEX P/N	COLOR	TYPE	ALLOWED WIRE DIAMETER	WEIGHT (g)	MATERIAL SPECIFICATION
0643251085	LIGHT GREY	1	1.75/2.40	0.0706	40 DUROMETER INHERENTLY LUBRICATED SILICON
0643251086	LIGHT BLUE	1	1.25/1.90	0.0630	40 DUROMETER INHERENTLY LUBRICATED SILICON
0643251088	YELLOW	2	-	0.1218	50 DUROMETER INHERENTLY LUBRICATED SILICON

THIS DRAWING CONTAINS INFORMATION THAT IS PROPRIETARY TO MOLEX ELECTRONIC TECHNOLOGIES, LLC AND SHOULD NOT BE USED WITHOUT WRITTEN PERMISSION					
DIMENSION UNITS	SCALE	CURRENT REV DESC: REMASTERED IN ECTR			
mm	15:1				
GENERAL TOLERANCES (UNLESS SPECIFIED)					
	MM	INCH			
4 PLACES	±	±	EC NO: 633640		
3 PLACES	±	±	DRWN: MKP 2020/03/03		
2 PLACES	± 0.16	±	CHK'D: OPLESSIS 2020/03/17		
1 PLACE	± 0.16	±	APPR: CBOUCHAN 2020/03/18		
0 PLACES	± 0.16	±	INITIAL REVISION:		
ANGULAR TOL	± 2.0°		DRWN: PGRANDCL 2015/06/23		
			APPR: OPLESSIS 2016/01/25		
DRAFT WHERE APPLICABLE MUST REMAIN WITHIN DIMENSIONS		FIRST ANGLE PROJECTION	DRAWING	SERIES	MATERIAL NUMBER
			A1-SIZE	64325	SEE CHART
			CUSTOMER	SHEET NUMBER	
			GENERAL MARKET	1 OF 1	

**molex**

SEAL PLUG AND SGL WIRE SEALS  
1.5 TERM

PRODUCT CUSTOMER DRAWING

DOCUMENT NUMBER: SD-64325-007  
DOC TYPE: PSD  
DOC PART: 001  
REVISION: A1

DOCUMENT STATUS	RELEASE DATE
-----------------	--------------