

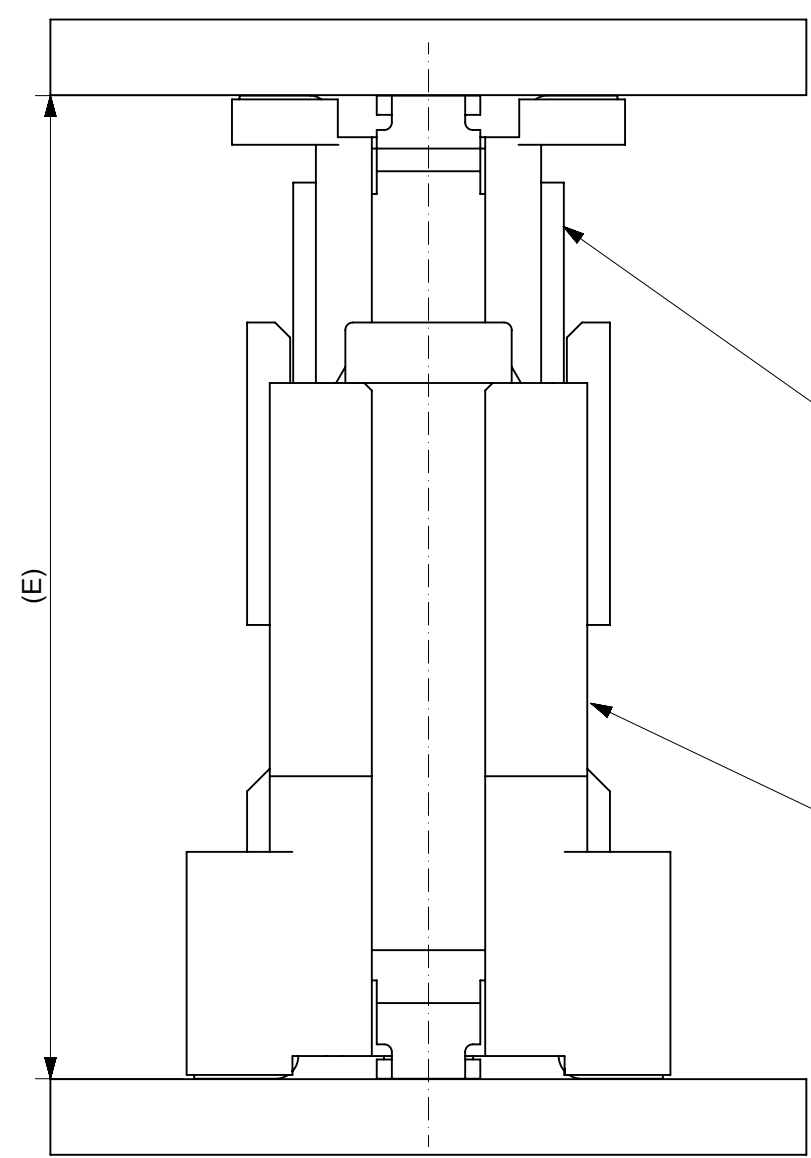
NOTES

1. 材質
MATERIAL
ハウジング: ガラス入りPPS、茶色、UL94V-0
HOUSING: POLYPHENYLENE SULFIDE, GLASS FILLED, BROWN, UL94V-0
ターミナル: 銅合金 (t=0.2)、ニッケルメッキ下地1.5マイクロメートル以上
TERMINAL: COPPER ALLOY, UNDER-PLATING: NICKEL 1.5 MICROMETER MIN.
接点部 : 金メッキ 0.25マイクロメートル以上
CONTACT AREA: GOLD 0.25 MICROMETER MIN.
半田付け部 : 錫メッキ1.0マイクロメートル以上
SOLDER TAIL AREA: TIN 1.0 MICROMETER MIN.
ネール : リン青銅(t=0.2)、ニッケルメッキ下地1.0マイクロメートル以上
NAIL: PHOSPHOR BRONZE, UNDER-PLATING: NICKEL 1.0 MICROMETER MIN.
錫メッキ1.0マイクロメートル以上
TIN 1.0 MICROMETER MIN.
吸着カバー: ステンレス (t=0.2)
VACUUM COVER: STAINLESS STEEL

無し WITHOUT	66.47	65.37	62.865	70.37	53627-2074	-	200
	60.12	58.22	56.515	64.02	53627-1874	-	180
	53.77	52.67	50.165	57.67	53627-1674	53627-1675	160
	47.42	46.32	43.815	51.32	53627-1474	-	140
	41.07	39.97	37.465	44.97	53627-1274	-	120
	34.72	33.62	31.115	38.62	53627-1074	-	100
	31.35	30.45	27.94	35.45	53627-0974	-	90
有り WITH	28.37	27.27	24.765	32.27	53627-0874	-	80
	25.2	24.1	21.59	29.1	53627-0774	-	70
	22.02	20.92	18.415	25.92	53627-0674	-	60
	18.85	17.75	15.24	22.75	53627-0574	-	50
	15.67	14.57	12.065	19.57	53627-0474	-	40
	12.5	11.4	8.89	16.4	53627-0374	-	30
	9.32	8.22	5.715	13.22	53627-0274	-	20
ハウジングロック HSG LOCK	D	C	B	A	エンボス梱包 EMBOSSED PACKAGE	スティック梱包 STICK PACKAGE	極数 CKT
オーダー番号 ORDER NO.							

2. テールのバラツキ寸法
TAIL COPLANARITY
テール平坦度は、0.1ミリ以下とする。
TAILS COPLANARITY TO BE 0.1 MILLIMETER MAX.

GENERAL TOLERANCES (UNLESS SPECIFIED)		THIS DRAWING CONTAINS INFORMATION THAT IS PROPRIETARY TO MOLEX ELECTRONIC TECHNOLOGIES, LLC AND SHOULD NOT BE USED WITHOUT WRITTEN PERMISSION	
10 UNDER	± 0.2	DIMENSION UNITS	SCALE
10 OVER 30 UNDER	± 0.25	mm	-
30 OVER	± 0.3	CURRENT REV DESC:	
ANGULAR ± 3 °		EC NO: 602629	
DRAFT WHERE APPLICABLE MUST REMAIN WITHIN DIMENSIONS		DRWN: RMIYAMOTO 2018/08/16	
		CHK'D: KSASAKI 2018/08/17	
		APPR: TKUSUHARA01 2018/08/17	
		INITIAL REVISION:	
		DRWN: YSAKIYAMA 2004/03/15	
		APPR: MSASAO 2004/03/16	
		THIRD ANGLE PROJECTION	DRAWING
		⊕	A3-SIZE
		SERIES	53627
		MATERIAL NUMBER	SEE CHART
		CUSTOMER	GENERAL MARKET
		SHEET NUMBER	1 OF 2



55091 series
53625 series
53647 series
53649 series
53627 series
Plug

52885 series
52901 series
Receptacle

嵌合高さ一覧 Stacking Height variation			
	6	52885 series	55091 series
	7		53625 series
	8		53647 series
	9		53649 series
○	10		53627 series
	12	52901 series	55091 series
	13		53625 series
	14		53647 series
	15		53649 series
○	16		53627 series
本図製品該当高さ Height Application	嵌合高さ E Stacking Height	リセプタクル Receptacle	プラグ Plug

GENERAL TOLERANCES (UNLESS SPECIFIED)		THIS DRAWING CONTAINS INFORMATION THAT IS PROPRIETARY TO MOLEX ELECTRONIC TECHNOLOGIES, LLC AND SHOULD NOT BE USED WITHOUT WRITTEN PERMISSION	
10 UNDER	± 0.2	DIMENSION UNITS	SCALE
10 OVER 30 UNDER	± 0.25	mm	-
30 OVER	± 0.3	CURRENT REV DESC:	
ANGULAR	± 3 °	EC NO: 602629	
DRAFT WHERE APPLICABLE MUST REMAIN WITHIN DIMENSIONS		DRWN: RMIYAMOTO 2018/08/16	
		CHK'D: KSASAKI 2018/08/17	
		APPR: TKUSUHARA01 2018/08/17	
		INITIAL REVISION:	
		DRWN: YSAKIYAMA 2004/03/15	
		APPR: MSASAO 2004/03/16	
		THIRD ANGLE PROJECTION	
		DRAWING	
		SERIES	
		MATERIAL NUMBER	
		CUSTOMER	
		SHEET NUMBER	
		A3-SIZE	
		53627	
		SEE CHART	
		GENERAL MARKET	
		2 OF 2	

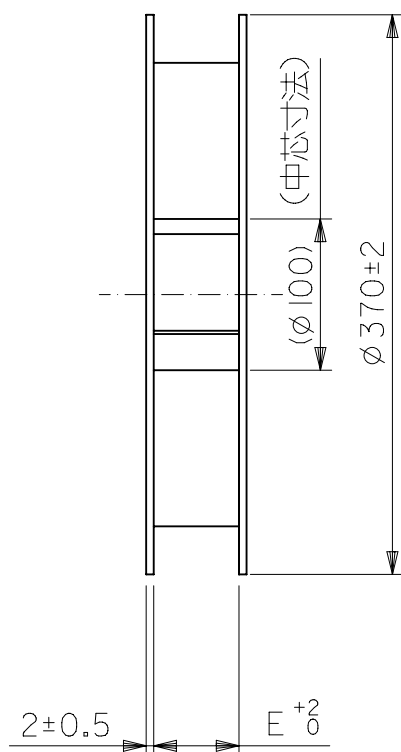
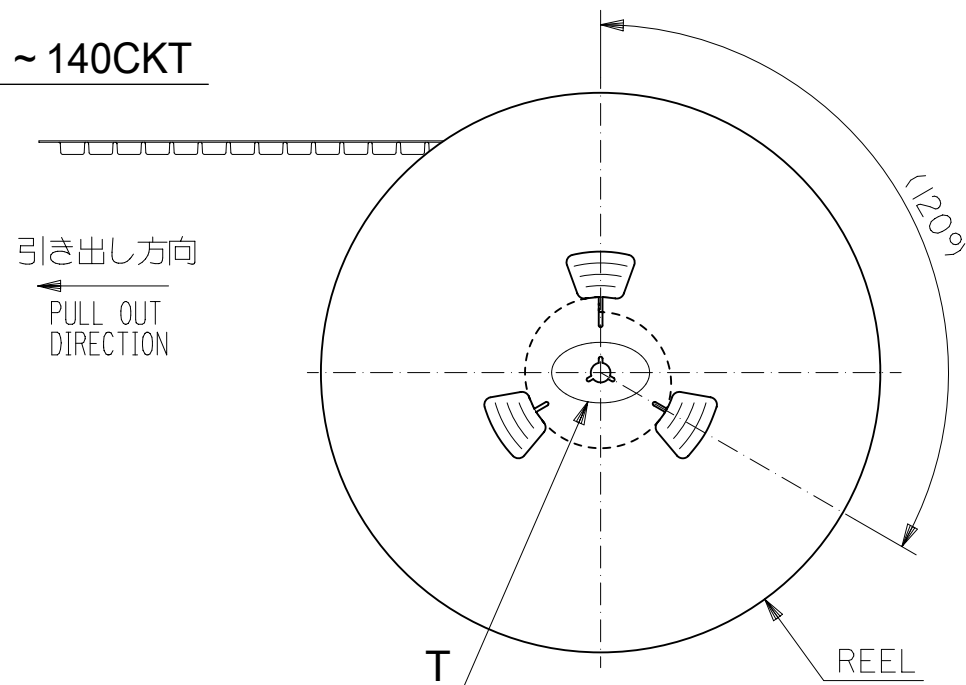


0.635 PITCH B/B CONN.
PLUG HSG COVER ASSY -LEAD FREE-

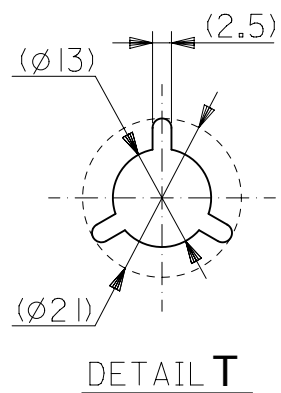
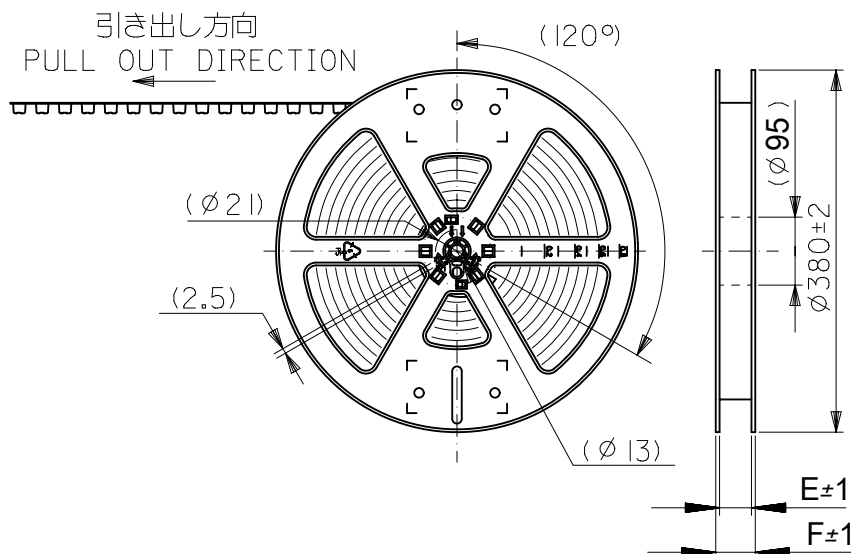
PRODUCT CUSTOMER DRAWING

DOCUMENT NUMBER	DOC TYPE	DOC PART	REVISION
SD-53627-001	PSD	001	E

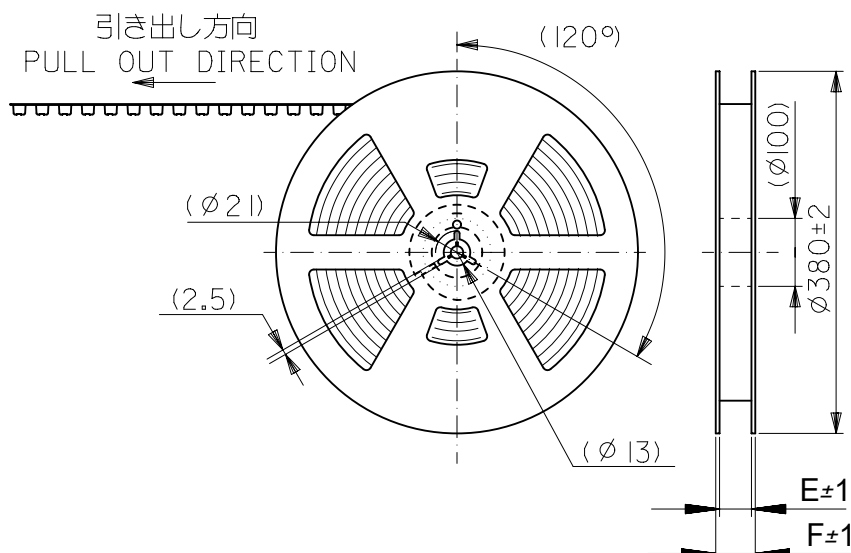
20 ~ 140CKT



160CKT

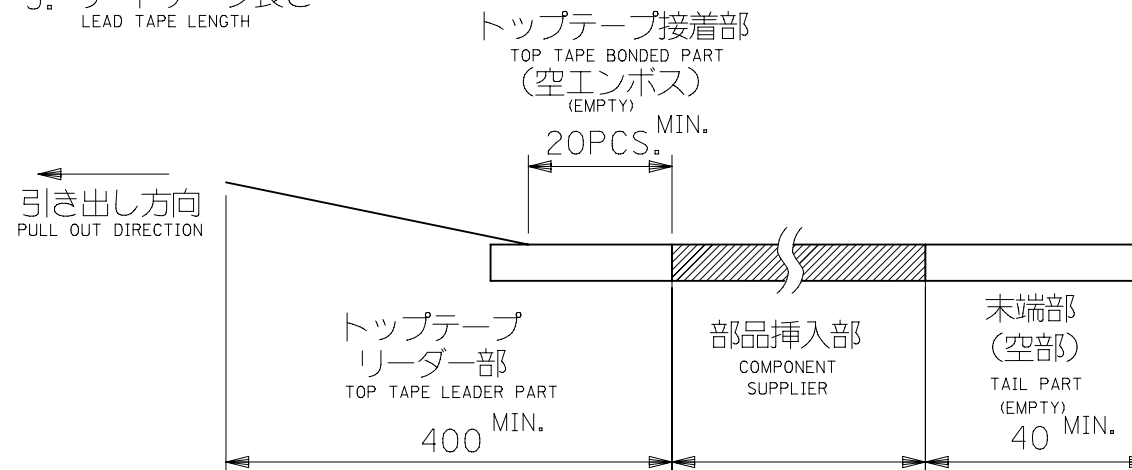


180, 200CKT



NOTES

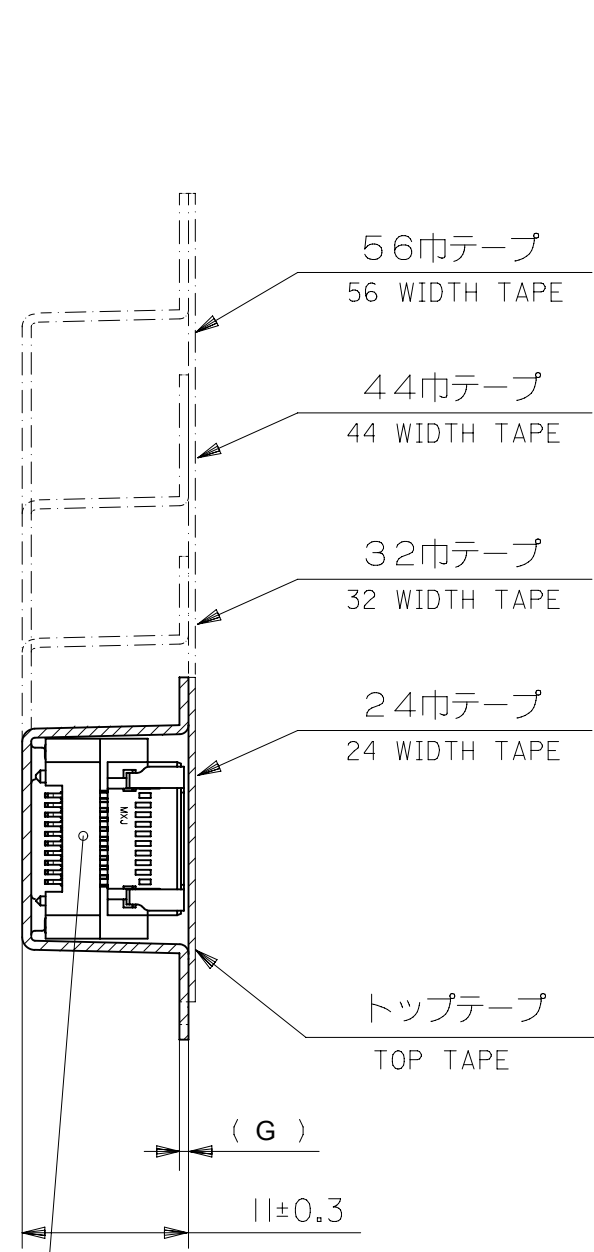
- 製品番号 53627-**72 の詳細寸法については SD-53627-001 を参照下さい。
IN THE PACKAGE , PART NO. 53627-**72 DETAILED DIMENSIONS , SEE SD-53627-001.
- 梱包数量 : 700個/リール
NUMBER OF CONNECTORS : 700 PCS/REEL
- リードテープ長さ
LEAD TAPE LENGTH



4. 材料

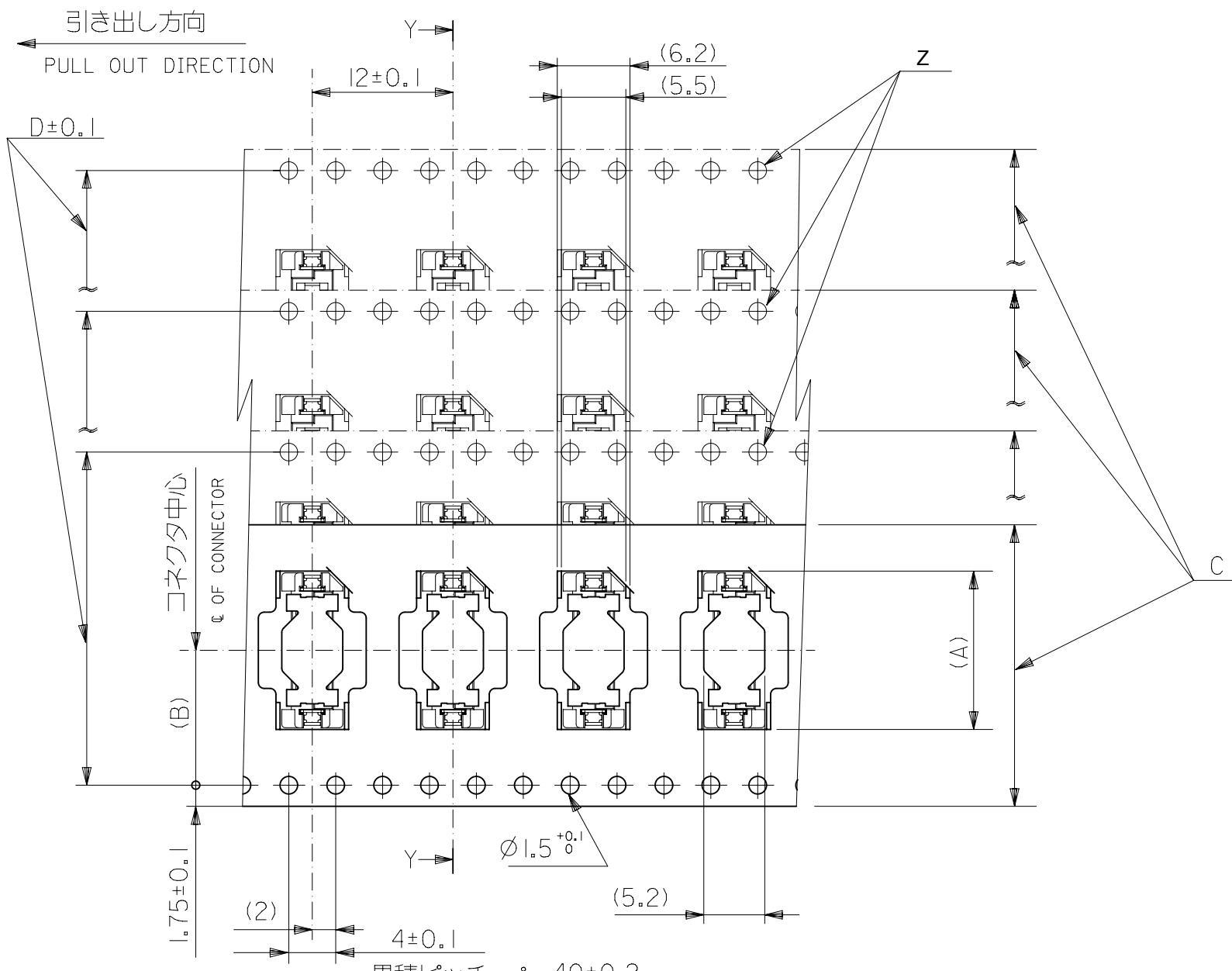
MATERIAL
 キャリアテープ : ポリプロピレン (PP) : 20~140, 200極
 ポリスチレン (PS) : 160, 180極
 CARRIER TAPE : POLYPROPYLENE (PP) : 20~140, 200CKT
 POLYSTYRENE (PS) : 160, 180CKT
 トップテープ : PET, PE, PEF
 TOP TAPE : PET, PE, PEF
 リール : 紙 : 20~140極
 ポリスチレン : 160~200極
 REEL : CARD BOARD : 20~140, 200CKT
 POLYSTYRENE : 160, 180CKT

THIS DRAWING CONTAINS INFORMATION THAT IS PROPRIETARY TO MOLEX ELECTRONIC TECHNOLOGIES, LLC AND SHOULD NOT BE USED WITHOUT WRITTEN PERMISSION		CURRENT REV DESC:		molex	
DIMENSION UNITS	SCALE	EC NO: 175909			
mm	-	DRWN: RMIYAMOTO 2018/03/16		PLUG HSG ASSY (H=10) -LEAD FREE-	
GENERAL TOLERANCES (UNLESS SPECIFIED)		CHK'D: KSASAKI 2018/05/01		PRODUCT CUSTOMER DRAWING	
ANGULAR TOL	± 30°	APPR: RTAKEUCHI 2018/05/01		DOCUMENT NUMBER	
4 PLACES	± 0.2	INITIAL REVISION:		SD-53627-002	DOC TYPE
3 PLACES	± 0.25	DRWN: YSAKIYAMA 2004/03/15		PSD	DOC PART
2 PLACES	± 0.3	APPR: MSASAO 2004/03/16		001	REVISION
1 PLACE	±	DRAWING		C	
0 PLACES	±	SERIES			
DRAFT WHERE APPLICABLE MUST REMAIN WITHIN DIMENSIONS		THIRD ANGLE PROJECTION	A3-SIZE	53627	MATERIAL NUMBER
					CUSTOMER
					GENERAL MARKET
					SHEET NUMBER
					1 OF 3

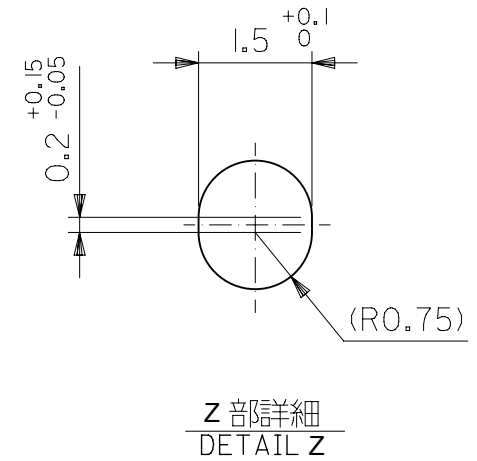


53627-***72
CONNECTOR

断面 Y-Y
SECTION Y-Y



累積ピッチ : 40±0.2
ACCUMULATIVE
PITCH : 40±0.2



CARD BOARD	PP	0.6	-	56.4	52.4	56±0.3	26.2	38.9	55091-1074	100
								35.8	55091-0974	90
								32.6	55091-0874	80
								29.4	55091-0774	70
								26.2	55091-0674	60
				23.1	55091-0574	50				
				32.4	28.4	32±0.3	14.2	19.9	55091-0474	40
				24.4	-	24±0.3	11.5	16.7	55091-0374	30
								13.5	55091-0274	20
リール REEL	キャリアテープ CARRIER TAPE	G	F	E	D	C キャリアテープ幅 CARRIER TAPE WIDTH	B	A	オーダー番号 ORDER NO.	極数 CKT.NO.

THIS DRAWING CONTAINS INFORMATION THAT IS PROPRIETARY TO MOLEX ELECTRONIC TECHNOLOGIES, LLC AND SHOULD NOT BE USED WITHOUT WRITTEN PERMISSION

DIMENSION UNITS mm	SCALE -	CURRENT REV DESC:		molex		
GENERAL TOLERANCES (UNLESS SPECIFIED)		EC NO: 175909				
ANGULAR TOL ± 30°		DRWN: RMIYAMOTO	2018/03/16	PRODUCT CUSTOMER DRAWING		
4 PLACES ± 0.2		CHK'D: KSASAKI	2018/05/01	DOCUMENT NUMBER		
3 PLACES ± 0.25		APPR: RTAKEUCHI	2018/05/01	SD-53627-002		
2 PLACES ± 0.3		INITIAL REVISION:		DOC TYPE	DOC PART	REVISION
1 PLACE ±		DRWN: YSAKIYAMA	2004/03/15	PSD	001	C
0 PLACES ±		APPR: MSASAO	2004/03/16	SHEET NUMBER		
DRAFT WHERE APPLICABLE MUST REMAIN WITHIN DIMENSIONS	THIRD ANGLE PROJECTION	DRAWING	SERIES	MATERIAL NUMBER	CUSTOMER	
		A3-SIZE	53627	SEE CHART	GENERAL MARKET	2 OF 3

9 8 7 6 5 4 3 2 1

引き出し方向
PULL OUT DIRECTION

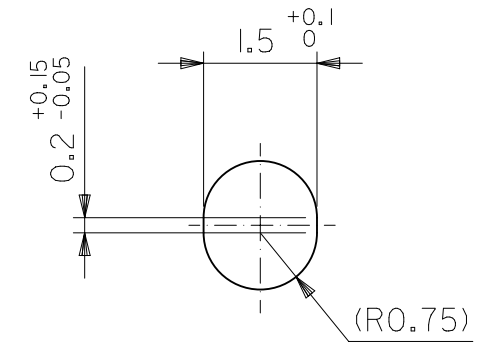
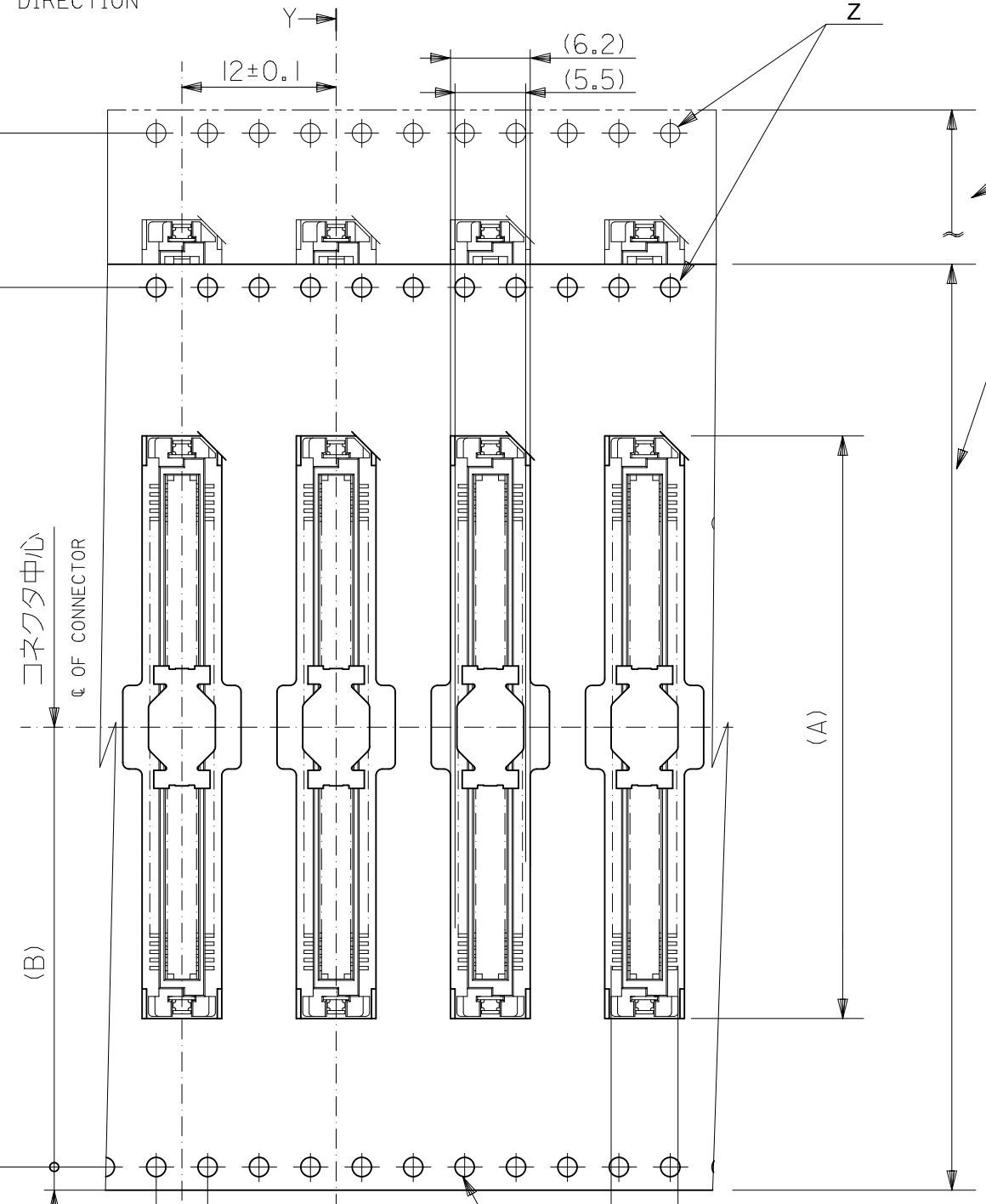
88巾テープ
88 WIDTH TAPE

72巾テープ
72 WIDTH TAPE

トップテープ
TOP TAPE

53627-**-72
CONNECTOR

断面 Y-Y
SECTION Y-Y



Z部詳細
DETAIL Z

累積ピッチ : 40±0.2
ACCUMULATIVE
PITCH : 40±0.2

PS	PP	0.6	94	90	84.4	88±0.3	42.2	70.7	53627-2074	200
PS	PS	0.5	78.1	73.5				64.4	53627-1874	180
CARD BOARD	PP	0.6	-	72.4	68.4	72±0.3	34.2	58.0	53627-1674	160
								51.6	53627-1474	140
								45.3	53627-1274	120
リール REEL	キャリアテープ CARRIER TAPE	G	F	E	D	C キャリアテープ幅 CARRIER TAPE WIDTH	B	A	オーダー番号 ORDER NO.	極数 CKT.NO.

THIS DRAWING CONTAINS INFORMATION THAT IS PROPRIETARY TO MOLEX ELECTRONIC TECHNOLOGIES, LLC AND SHOULD NOT BE USED WITHOUT WRITTEN PERMISSION

DIMENSION UNITS	SCALE	CURRENT REV DESC:		molex	
mm	-				
GENERAL TOLERANCES (UNLESS SPECIFIED)		EC NO: 175909		EMBSTP PKG FOR 0.635 B/B	
ANGULAR TOL	± 30°	DRWN: RMIYAMOTO	2018/03/16	PLUG HSG ASSY (H=10) -LEAD FREE-	
4 PLACES	± 0.2	CHK'D: KSASAKI	2018/05/01	PRODUCT CUSTOMER DRAWING	
3 PLACES	± 0.25	APPR: RTAKEUCHI	2018/05/01	DOCUMENT NUMBER	
2 PLACES	± 0.3	INITIAL REVISION:		SD-53627-002	
1 PLACE	±	DRWN: YSAKIYAMA	2004/03/15	DOC TYPE	DOC PART
0 PLACES	±	APPR: MSASAO	2004/03/16	PSD	001
DRAFT WHERE APPLICABLE MUST REMAIN WITHIN DIMENSIONS		THIRD ANGLE PROJECTION	DRAWING	SERIES	MATERIAL NUMBER
			A3-SIZE	53627	CUSTOMER
					GENERAL MARKET
					SHEET NUMBER
					3 OF 3

9 8 7 6 5 4 3 2 1