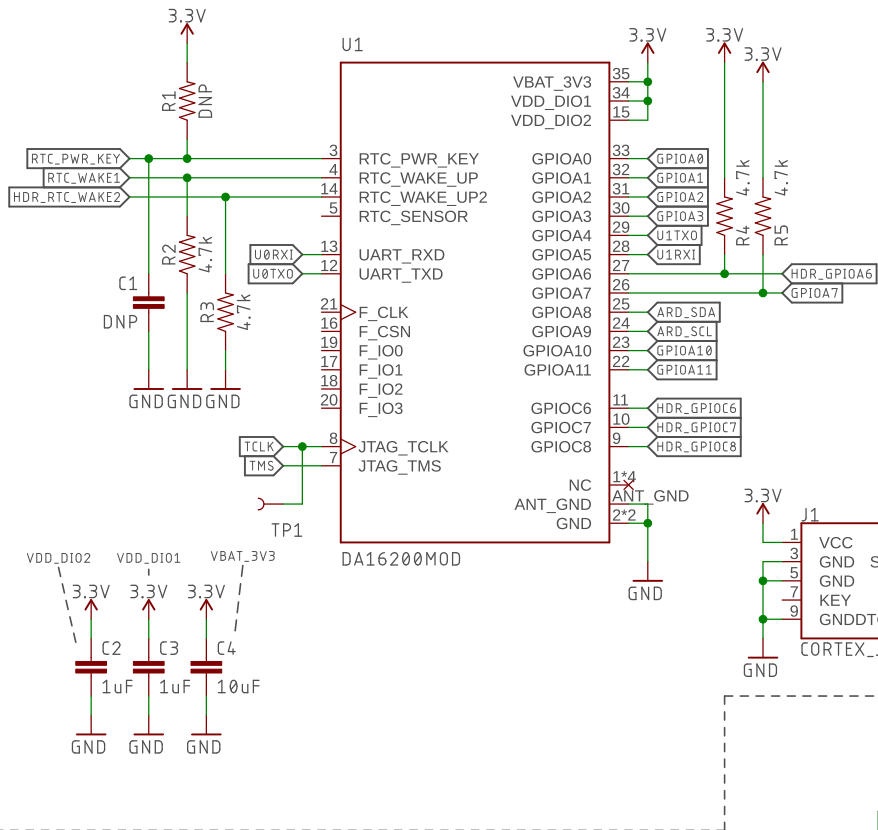
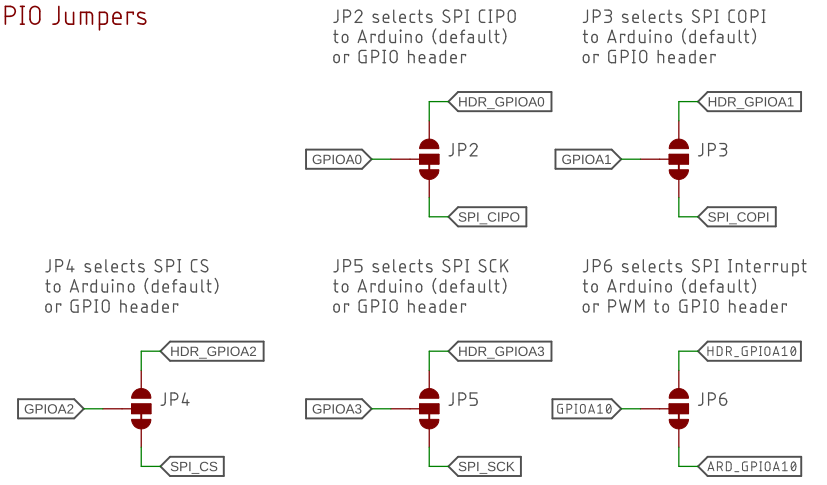


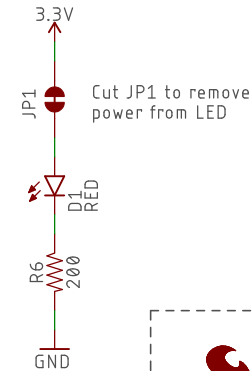
DA16200 Module



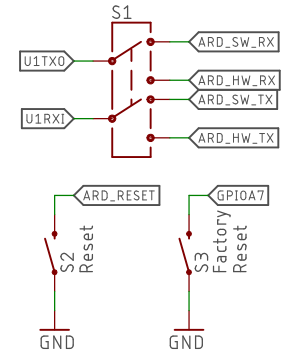
GPIO Jumpers



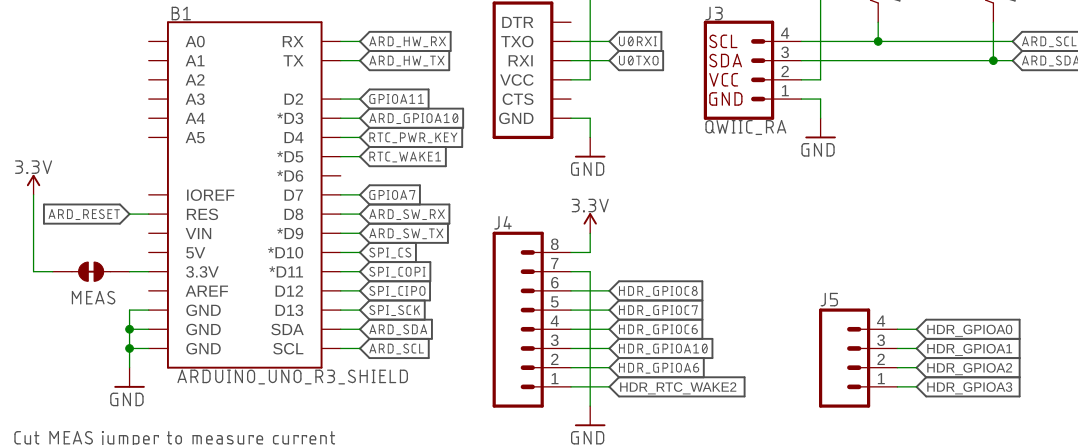
Power LED



Switches



Arduino R3 Shield & Connectors



Released under the Creative Commons

Attribution Share-Alike 4.0 License

<https://creativecommons.org/licenses/by-sa/4.0/>



TITLE: SparkFun WiFi Shield – DA16200

Design by Alex Wende

REV:
V10

Date: 8/10/2021 1:41 PM

Sheet: 1/1

Cut MEAS jumper to measure current