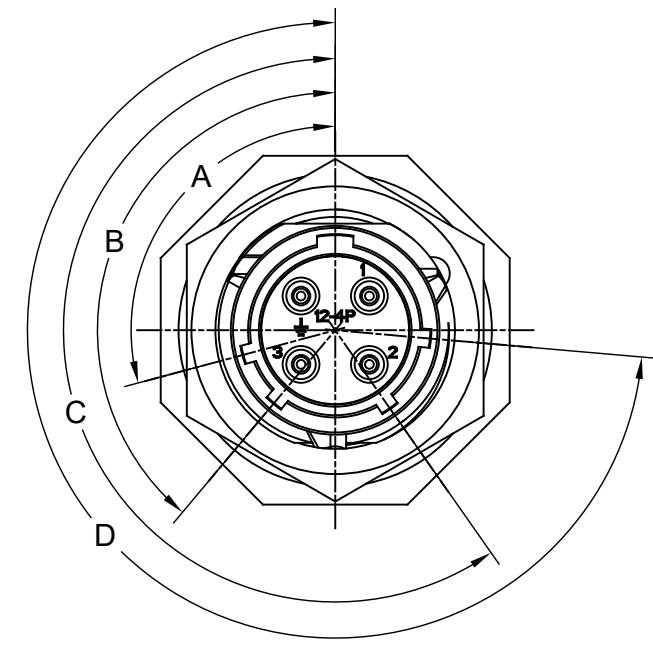
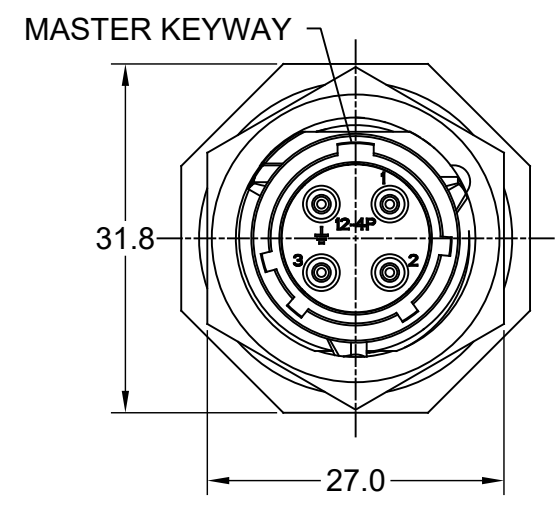
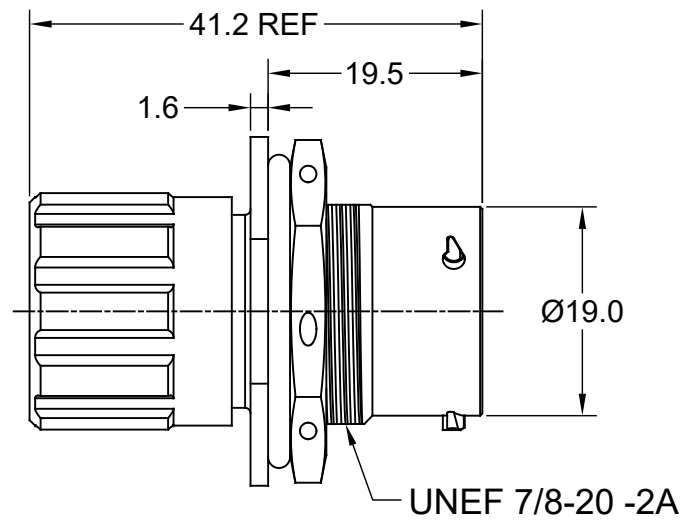
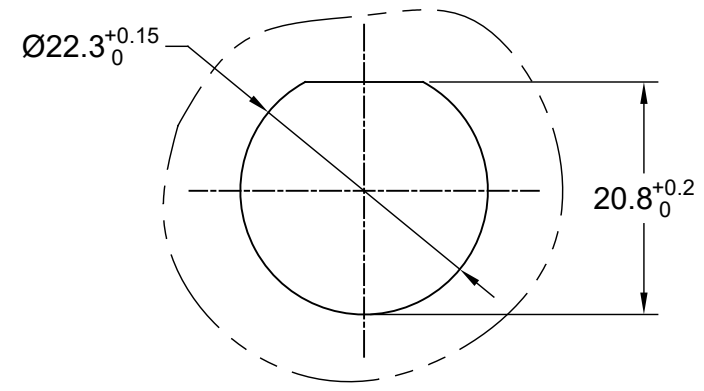


REVISIONS					
REV	ECO	DESCRIPTION	DATE	BY	APPR
A1	-	RELEASED DRAWING	Oct-13-2020	Ronald	Tommy

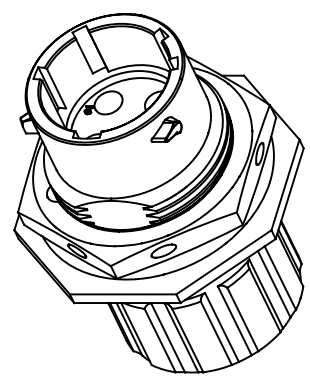


NOTES: (UNLESS OTHERWISE SPECIFICATION)

- MATERIAL:
 - SHELL: ZINC ALLOY, NICKEL PLATED.
 - INSERT: THERMOPLASTIC, UL94 V-0.
 - END CAP: THERMOPLASTIC, UL94 V-0.
 - PLASTIC BUSHING: THERMOPLASTIC, UL94 V-0.
 - NUTS: AL ALLOY NICKEL PLATED.
 - SEAL GASKET: NBR/SILICONE RUBBER.
 - O-RING: NBR/SILICONE RUBBER.
 - WIRE SEAL: SILICONE RUBBER.
- SPECIFICATIONS:
 - 2.1 RATED CURRENT: 13A (MAX).
 - 2.2 RATED VOLTAGE: 500V(AC/DC).
 - 2.3 OPERATING TEMPERATURE: SEE CHART.
 - 2.4 DIELECTRIC WITHSTANDING VOLTAGE: LESS THAN 2 MILLIAMPS CURRENT LEAKAGE@2000 VOLTS AC.
 - 2.5 INSULATION RESISTANCE: 5000 MEGOHMS MIN.
 - 2.6 IP--CLASS: IP67 (MATED CONNECTOR).
 - 2.7 MATING CYCLES DURABILITY: 500 CYCLES MIN.
 - 2.8 RoHS COMPLIANT.
- SUITABLE CONTACTS: 16# CONTACTS.
- ALL DIMENSIONS ARE FOR REFERENCE USE ONLY.
- CONTACT SIZE AND REAR SEAL WIRE RANGE:



PANEL CUT OUT REFERENCE



Contact Size	Insulation Overall Diameter(min-max)	Wire Range
16#	Ø1.2mm - Ø2.1mm	14 - 24AWG

KEY POS	PART NUMBER		A	B	C	D
	-40°C ~ 105°C	-40°C ~ 125°C				
N	RT07124PNHECR	RT07124PNHEC03R	105°	140°	215°	265°
W	RT07124PWHECR	RT07124PWHEC03R	60°	140°	215°	265°
X	RT07124PXHECR	RT07124PXHEC03R	105°	160°	215°	265°
Y	RT07124PYHECR	RT07124PYHEC03R	105°	140°	225°	265°
Z	RT07124PZHECR	RT07124PZHEC03R	105°	140°	215°	295°

QUANTITY	PART NUMBER	DESCRIPTION	ITEM
MATERIALS LIST			
UNLESS OTHERWISE SPECIFIED		SIGNATURES DATE	
1) All dimensions are in metric(mm).		DRAWN: Ronald Oct-13-2020	
2) Tolerances are as follows:		CHECKED: Flan Oct-14-2020	
1 PL DEC ±0.30		ENGINEER:	
2 PL DEC ±0.15		FRACTIONS ±1/64	
3 PL DEC ±0.08		ANGLES ±1°	
3) Note reference =		APPROVAL: Tommy Oct-15-2020	
MATERIAL SPECIFICATIONS:		CUSTOMER:	
PROCESS SPECIFICATIONS:		THIS DRAWING IS SUPPLIED FOR INFORMATION ONLY. DESIGN FEATURES, SPECIFICATIONS AND PERFORMANCE DATA SHOWN HEREON ARE THE PROPERTY OF THE AMPHENOL CORPORATION. NO RIGHTS OF REPRODUCTION ARE IMPLIED. ALL DIMENSIONS ARE SUBJECT TO NORMAL MANUFACTURING VARIATIONS.	
NEXT ASSY:		SCALE: NONE	

Amphenol

Sine Systems - www.amphenol-sine.com
44724 Morley Drive
Clinton Township, MI 48036

SIZE	TYPE	DWG NO.	REVISION
B	C-	RT07124P*HECxxR	A1

SHEET 1 OF 1

TITLE: ECOMATE RM, RECEPTACLE, JAM NUT, END CAP, PIN CONTACT, SIZE 12,4 POS
DWG NO.: RT07124P*HECxxR
REV: A1
SH: 1
OF: 1