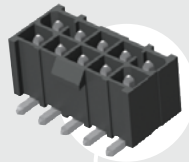


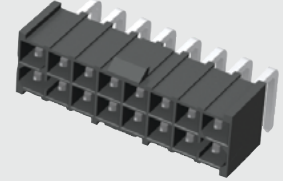


POWERMATE®

IPBT-105-H2-T-D-K



IPBT-108-H1-T-D-RA-K



IPBT-105-H1-T-D-GP

IPBT SERIES

(4.19 mm) .165"

ISOLATED TERMINAL POWER HEADER

SPECIFICATIONS

For complete specifications see www.samtec.com?IPBT

Insulator Material: Black Liquid Crystal Polymer

Contact Material: High Copper Alloy

Plating: Sn over 50 μm (1.27 μm) Ni

Operating Temp Range: -55 °C to +105 °C

Voltage Rating: 400 VAC/565 VDC

Standard Creepage: (3.66 mm) .144" (-S)

(3.63 mm) .143" (-D)

Standard Clearance: (3.05 mm) .120"

RoHS Compliant: Yes

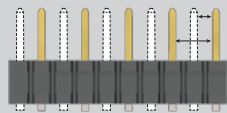
Lead-Free Solderable: Yes

IPBT/IPBS	
PINS POWERED	CURRENT RATING (PER CONTACT)
2	10.3 A
4	8.4 A
6	7.6 A
8	7.1 A
30	6.0 A

Board Mates: IPBS

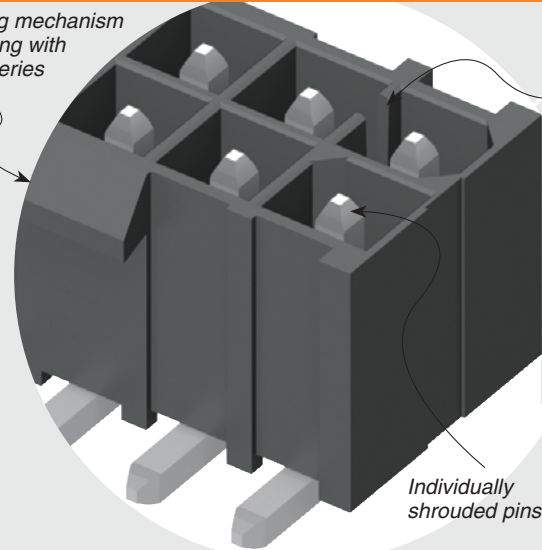
Cable Mates: PMSD, PMSS

CREEPAGE AND CLEARANCE



Selectively loading contacts achieves customer specific creepage and clearance requirements. Contact asp@samtec.com

Latching mechanism for mating with IPBD Series



Keyed polarization

Individually shrouded pins

RUGGEDIZED BY SAMTEC

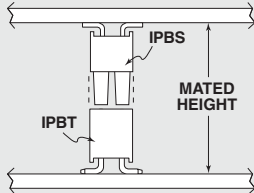
- Individually shrouded contacts
- Polarized guide post hole option

RECOGNITIONS

For complete scope of recognitions see www.samtec.com/quality



APPLICATION



IPBT/IPBS LEAD STYLE	MATED HEIGHT*
H1-01	(15.25) .600
-H2-02	(16.84) .663

*Processing conditions will affect mated height.

ALSO AVAILABLE (MOQ Required)

- Other sizes
- Other lead styles

Note: Some lengths, styles and options are non-standard, non-returnable.

IPBT — 1 — NO. OF POSITIONS PER ROW — LEAD STYLE — PLATING OPTION — ROW OPTION — OPTION

02, 03, 04, 05, 08, 10, 15
(-D only)

02, 03, 04, 05, 08, 10
(-S only)
(Standard sizes)

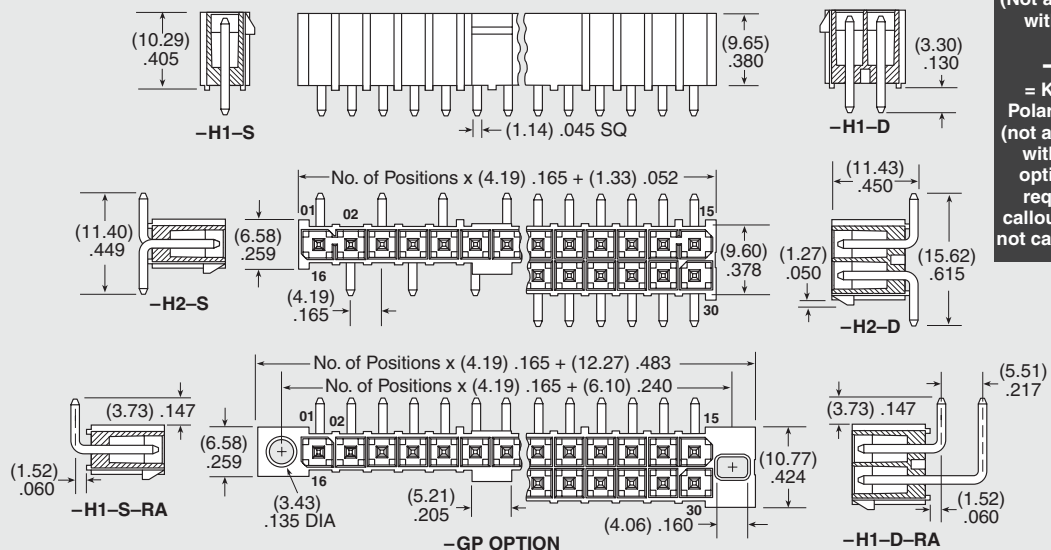
-H1 = Through-hole
-H2 = Surface Mount

-T = Matte Tin

-S = Single Row
-D = Double Row

-RA = Right-angle (Lead Style -H1 only)
-GP = Guide Post Holes (Not available with -K)

-K = Keyed Polarization (not available with -GP option, is required callout if -GP not called out)



Due to technical progress, all designs, specifications and components are subject to change without notice.

WWW.SAMTEC.COM

All parts within this catalog are built to Samtec's specifications. Customer specific requirements must be approved by Samtec and identified in a Samtec customer-specific drawing to apply.