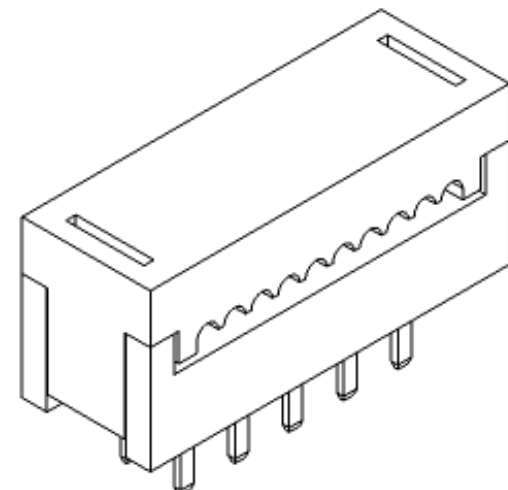
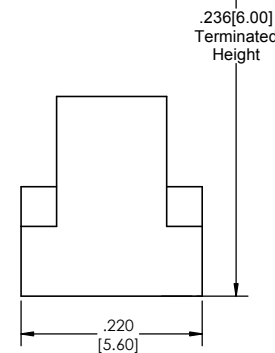
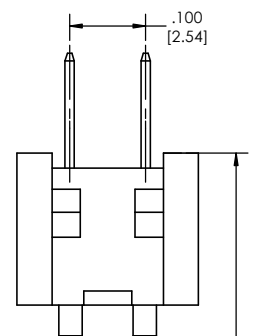
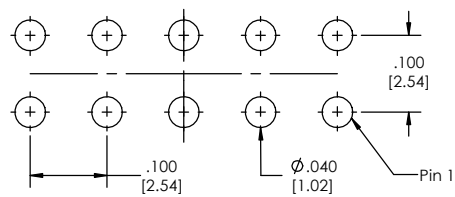


Recommended P.C. Board Layout
SCALE 8:1



IDP-1 **XX** - **D** - **02** - **T** - **XXX** - **LF**
(A) (B) (C) (D) (E) (F)

- A. Pins Per Row
- 3 through 32
- B. Row Specification
- D= Double Row
- C. Style
- 02= Black
- D. Plating Options
- See Plating Options below
- E. Polarized position
- 006-064
- F. Lead free

Plating options
T - Matte Tin all over

Specifications:
 Current Rating: 1.0 Ampere
 Insulation Resistance: 3000M Ohms Min.
 Dielectric Withstanding: 500V AC for one minute
 Contact Resistance: 30M Ohms Max.
 Operation Temperature: -40°C to +105°C
 Terminated with: .050" [1.27mm] pitch flat ribbon cable

Materials:
 Contact Material: Phosphor Bronze
 Insulator Material: PBT, glass reinforced, rated UL 94V-0

Pins Per Row	Dimensions	
	A	B
3	.461[11.72]	.200[5.08]
4	.561[14.26]	.300[7.62]
5	.661[16.80]	.400[10.16]
6	.761[19.34]	.500[12.70]
7	.861[21.88]	.600[15.24]
8	.961[24.42]	.700[17.78]
10	1.161[29.50]	.900[22.86]
12	1.361[34.58]	1.100[27.94]
13	1.461[37.12]	1.200[30.48]
15	1.661[42.20]	1.400[35.56]
16	1.761[44.74]	1.500[38.10]
17	1.861[47.28]	1.600[40.64]
20	2.161[54.90]	1.900[48.26]
25	2.661[67.60]	2.400[60.96]
30	3.161[80.30]	2.900[73.66]
32	3.361[85.38]	3.100[78.74]

Tails may be clipped to achieve specific dimensions.
 Products cut to specific sizes are uncancellable/ nonreturnable.
 Parts are subject to change without notice.



PROPRIETARY AND CONFIDENTIAL
 THE INFORMATION CONTAINED IN THIS DRAWING IS THE SOLE PROPERTY OF Major League Electronics. ANY REPRODUCTION IN PART OR AS A WHOLE WITHOUT THE WRITTEN PERMISSION OF Major League Electronics IS PROHIBITED.

UNLESS OTHERWISE SPECIFIED:		NAME	DATE
DIMENSIONS ARE IN INCHES		EOW	04/10/14
TOLERANCES:		CHECKED	GWE
ONE DECIMALS ±.100		ENG APPR.	04/10/14
TWO DECIMAL ±.010		MFG APPR.	
THREE DECIMAL ±.005		ADDRESS:	
FOUR DECIMAL ±.002		2533 Centennial Blvd.	
NEXT ASSY	USED ON	Jeffersonville, In 47130	
		Phone: 812-670-4174	
		Fax: 812-670-4175	
		E-Mail: mle@mlelectronics.com	
APPLICATION	DO NOT SCALE DRAWING	TITLE: IDP-1 Series	
		SIZE	DWG. NO.
		C	
		SCALE 8:1	SHEET 1 OF 1

2533 Centennial Blvd.
 Jeffersonville, In 47130
 Phone: 812-670-4174
 Fax: 812-670-4175
 E-Mail: mle@mlelectronics.com



TITLE: IDP-1 Series
 SIZE: C
 DWG. NO.:
 REV: A
 SCALE 8:1
 SHEET 1 OF 1