

4

3

2

DWG NO. GE-2159 SH REV 1 D

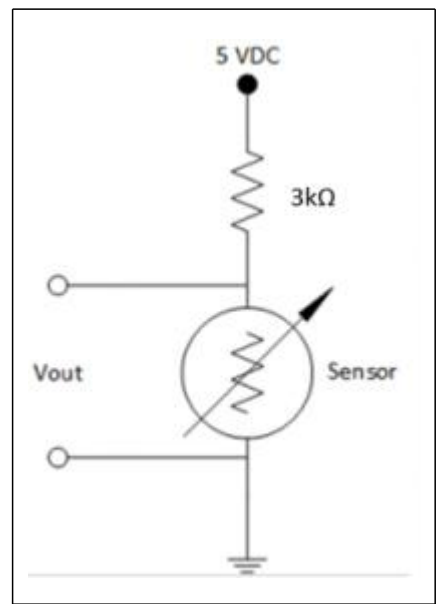
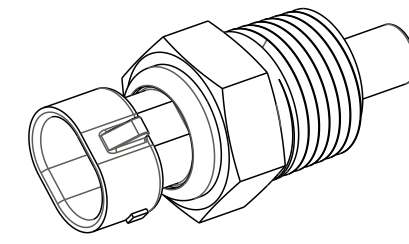
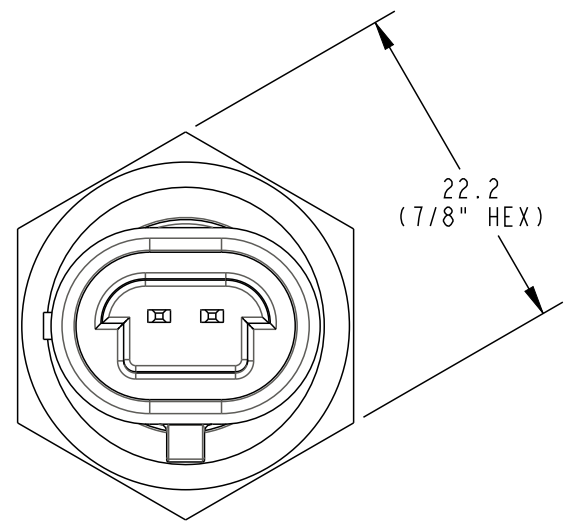
1

PROPRIETARY NOTICE: THE INFORMATION CONTAINED IN THIS DOCUMENT IS PROPRIETARY TO AMPHENOL AND SHALL NOT BE DISCLOSED IN WHOLE OR IN PART IN ANY FORM OR FOR ANY REASON EXCEPT AS EXPRESSLY STATED IN WRITING BY AMPHENOL.

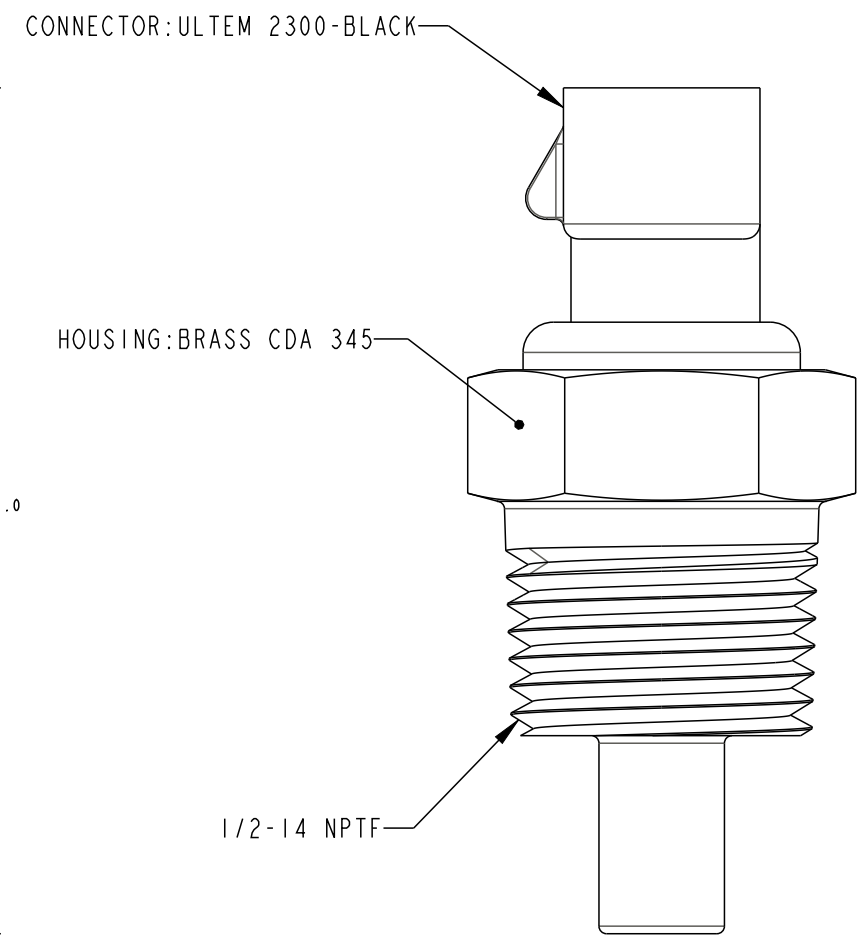
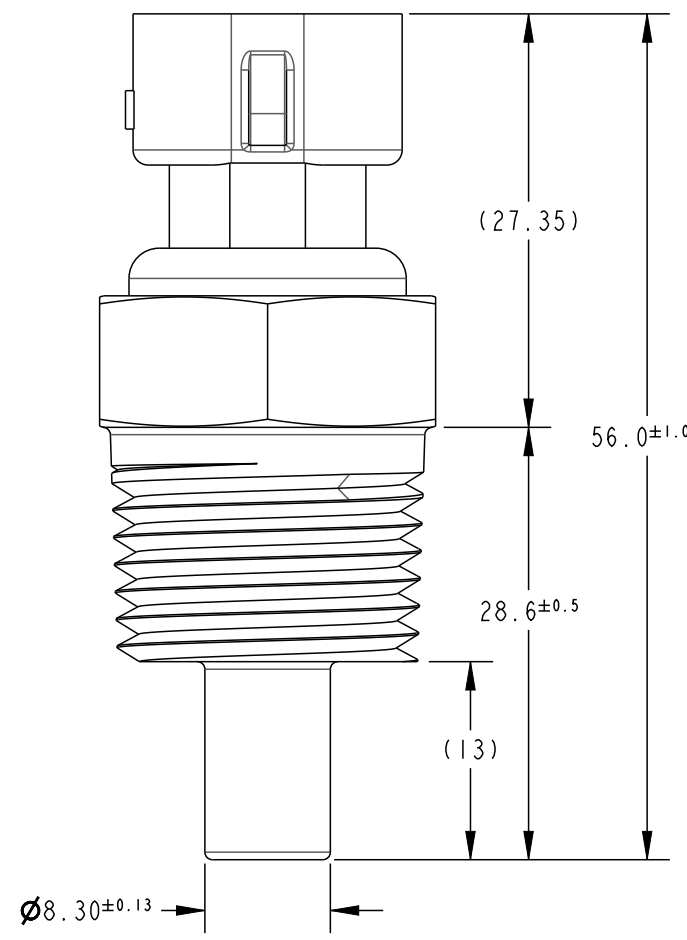
- NOTES:
1. CONTINUOUS OPERATING TEMPERATURE -40°C TO 150°C.
 2. CONNECTOR: METRI-PACK 150.2 OR GT150 3.5mm \varnothing MATING APTIV(DEPLHI) NUMBER: 12162193,15336004, OR EQUIVILANT
 3. VOLTAGE: 5V
 4. LOCITIE 503 , 516 OR 517 THREAD SEALANT APPLIED TO THE THREADS

TEMP (°C)	RESISTANCE (OHMS)	RES TOL (±%)
-40	100865	4.87
25	2795	2.50
50	980.3	2.27
85	283.5	2.00
125	88.3	2.75
128	81.7	2.77
150	47.5	2.90

REVISIONS				
REV	REVISION HISTORY	DATE	DWN	APVD
A	INITIAL RELEASE	10/27/17	MED	JD
B	85°C WAS 80°C ADDED 128°C ROW	11/01/18	MED	JD
C	ADDED NOTE # 4... THREAD SEALANT	11/29/18	MED	JD
D	UPDATED NOTES,ULTEM 2300-BLACK WAS NYLON 66 GF 33%, 28.6+/- .13 WAS 28.60,22.2 WAS 22.23	5/31/19	MED	STS



TYPICAL, 25°C CIRCUIT



Amphenol
Advanced Sensors St. Marys, PA 15857

TITLE: FLUID TEMPERATURE SENSOR

UNLESS OTHERWISE SPECIFIED DIMENSIONS ARE IN MM TOLERANCES ARE: .X ± 0.5 .XX ± 0.25	APPROVALS	DATE
	DRAWN DAM/MED	06/04/18
ANGLES ± 2°	CHECKED STS	06/04/18
	ENGR JD	06/04/18
THIRD ANGLE PROJECTION	OC	
INTERPRET DRAWING LAW ASME Y14.5	MFG	
MATERIAL SEE DRAWING		
SIZE B	DWG NO. GE-2159	REV D
SCALE 2:1		SHEET 1 OF 1

LEGAL NOTICE - THIS DRAWING AND ANY INTELLECTUAL PROPERTY RIGHTS THERE IN ARE PROPERTY OF AMPHENOL AND NO LICENSES ARE GRANTED UNDER THOSE RIGHTS.

4

3

2

1