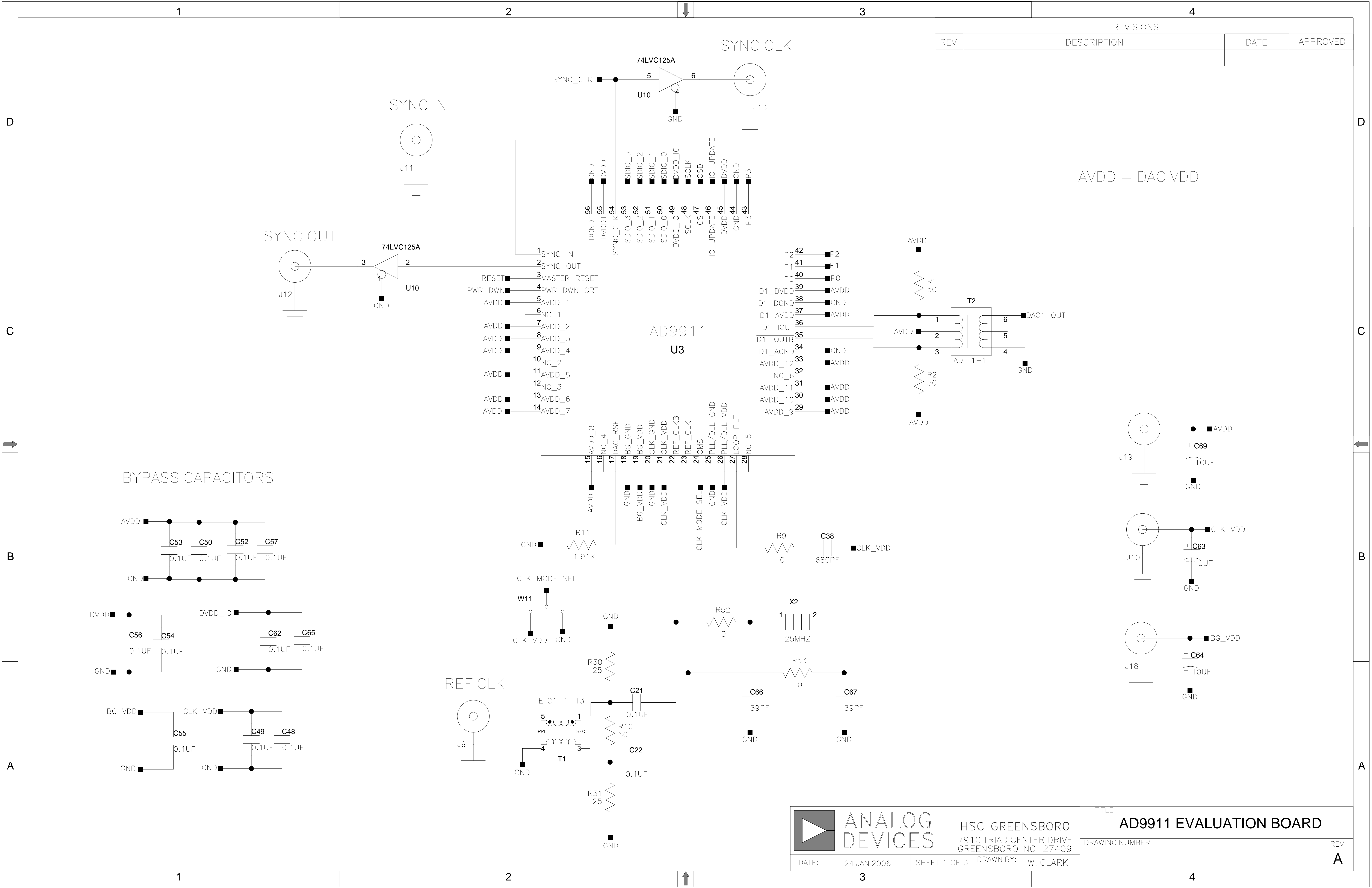
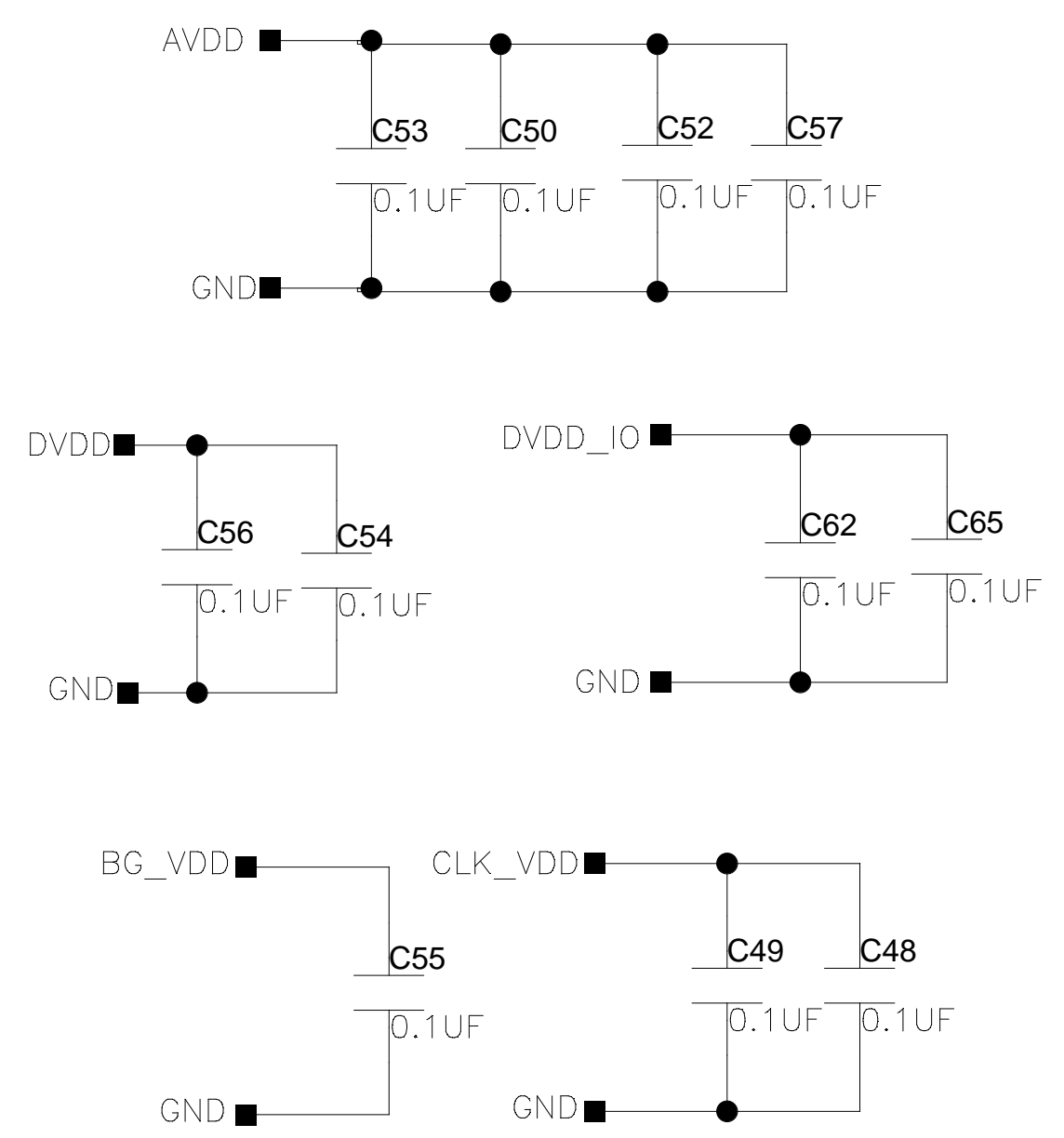


REVISIONS			
REV	DESCRIPTION	DATE	APPROVED



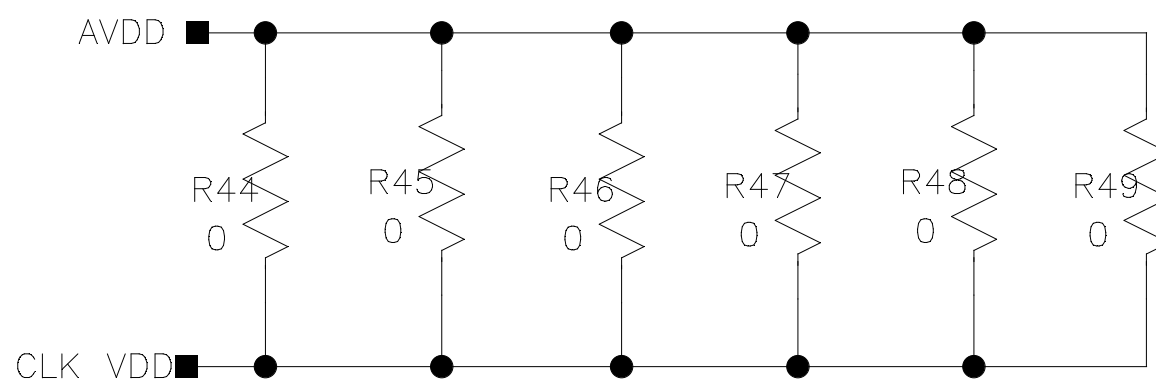
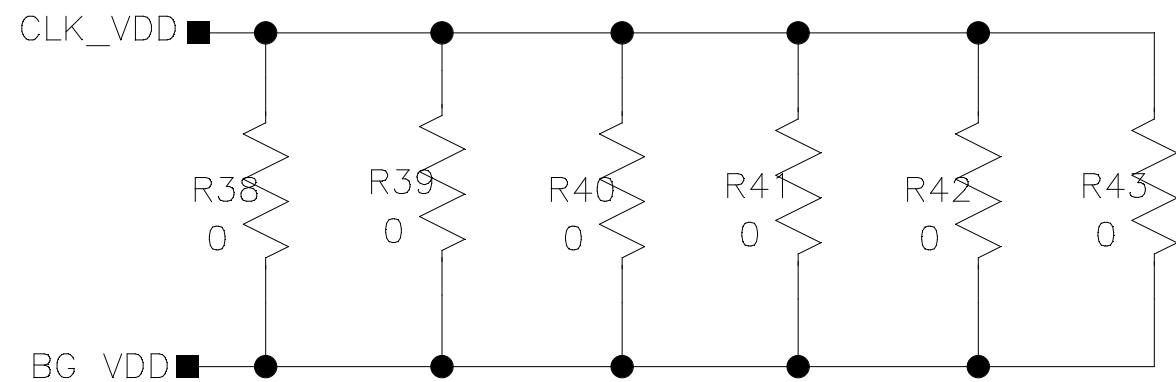
BYPASS CAPACITORS



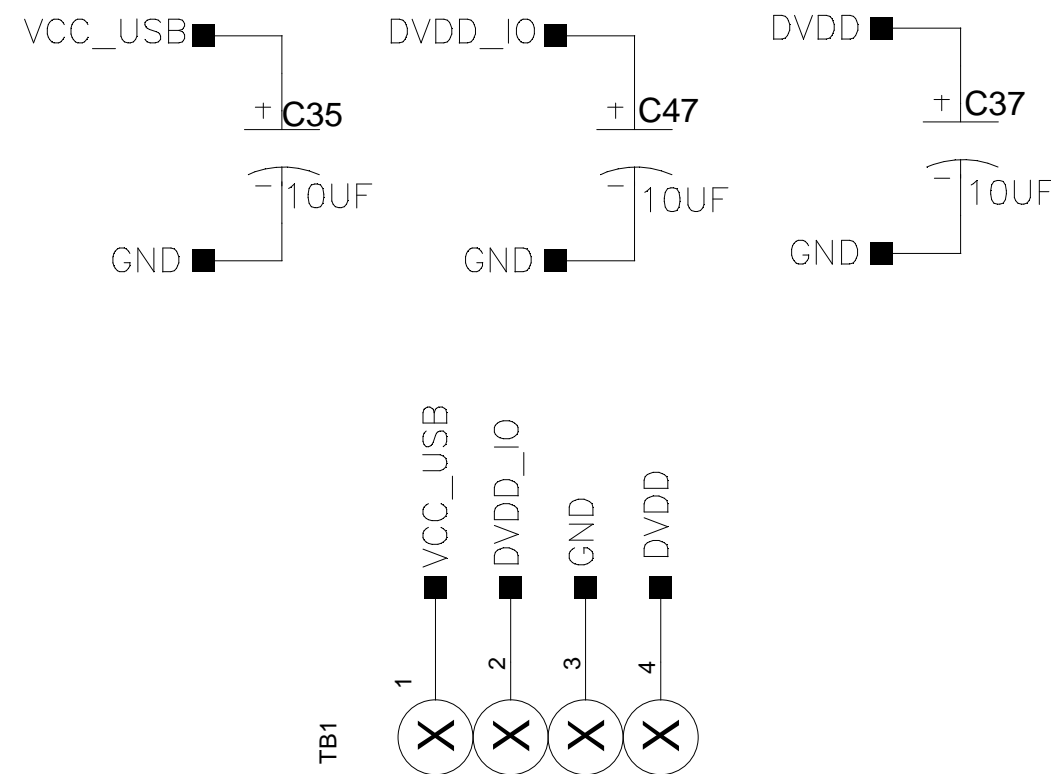
	<b>HSC GREENSBORO</b> 7910 TRIAD CENTER DRIVE GREENSBORO NC 27409		<b>TITLE</b> <b>AD9911 EVALUATION BOARD</b>	
	DATE: 24 JAN 2006	SHEET 1 OF 3	DRAWN BY: W. CLARK	DRAWING NUMBER

REVISIONS			
REV	DESCRIPTION	DATE	APPROVED

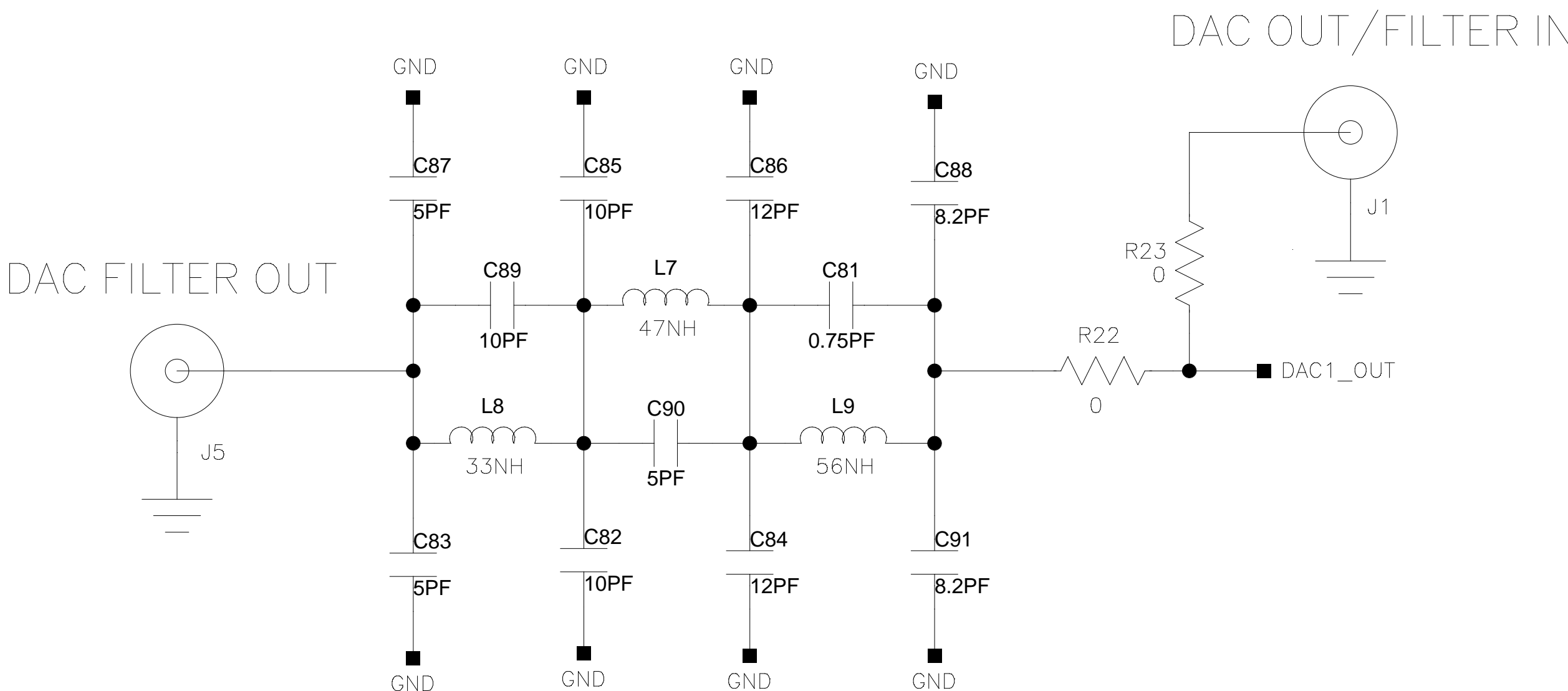
OPTIONAL POWER PLANE STITCH



POWER SUPPLY CONNECTION

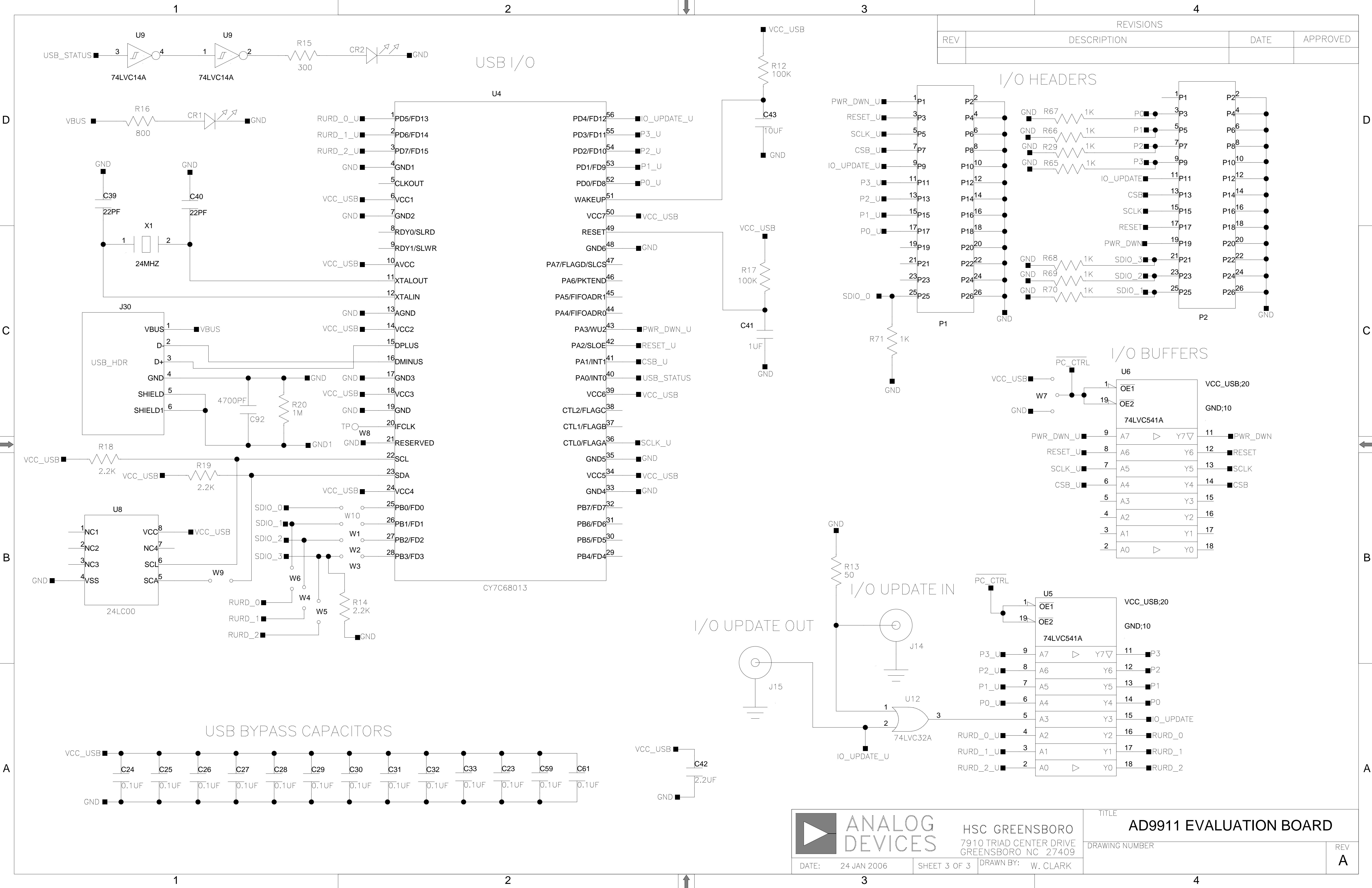


200 MHz LOW PASS FILTER



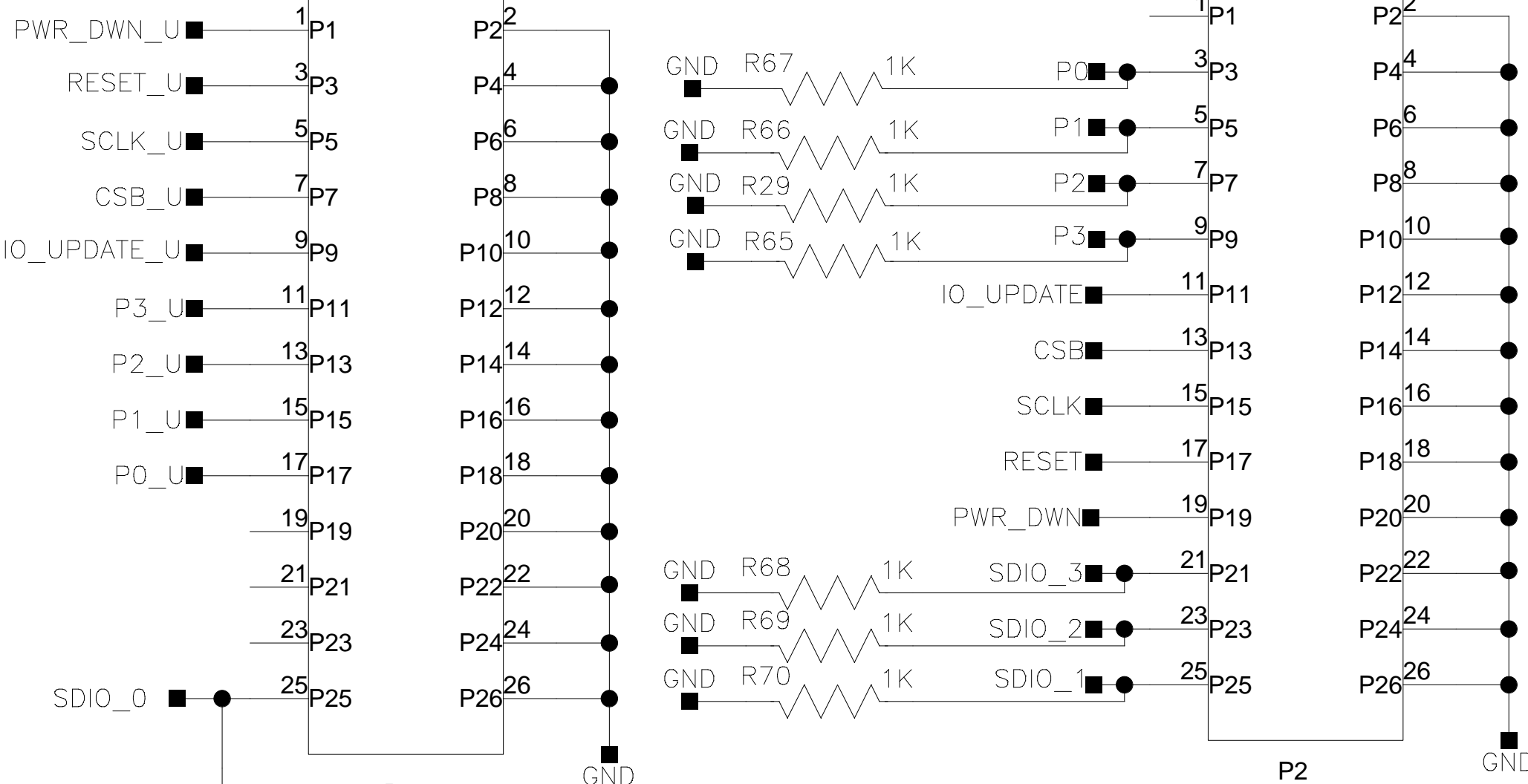
	<b>ANALOG DEVICES</b>	HSC GREENSBORO 7910 TRIAD CENTER DRIVE GREENSBORO NC 27409	TITLE <b>AD9911 EVALUATION BOARD</b>
	DATE: 24 JAN 2006	SHEET 2 OF 3	DRAWN BY: W. CLARK

REV  
**A**

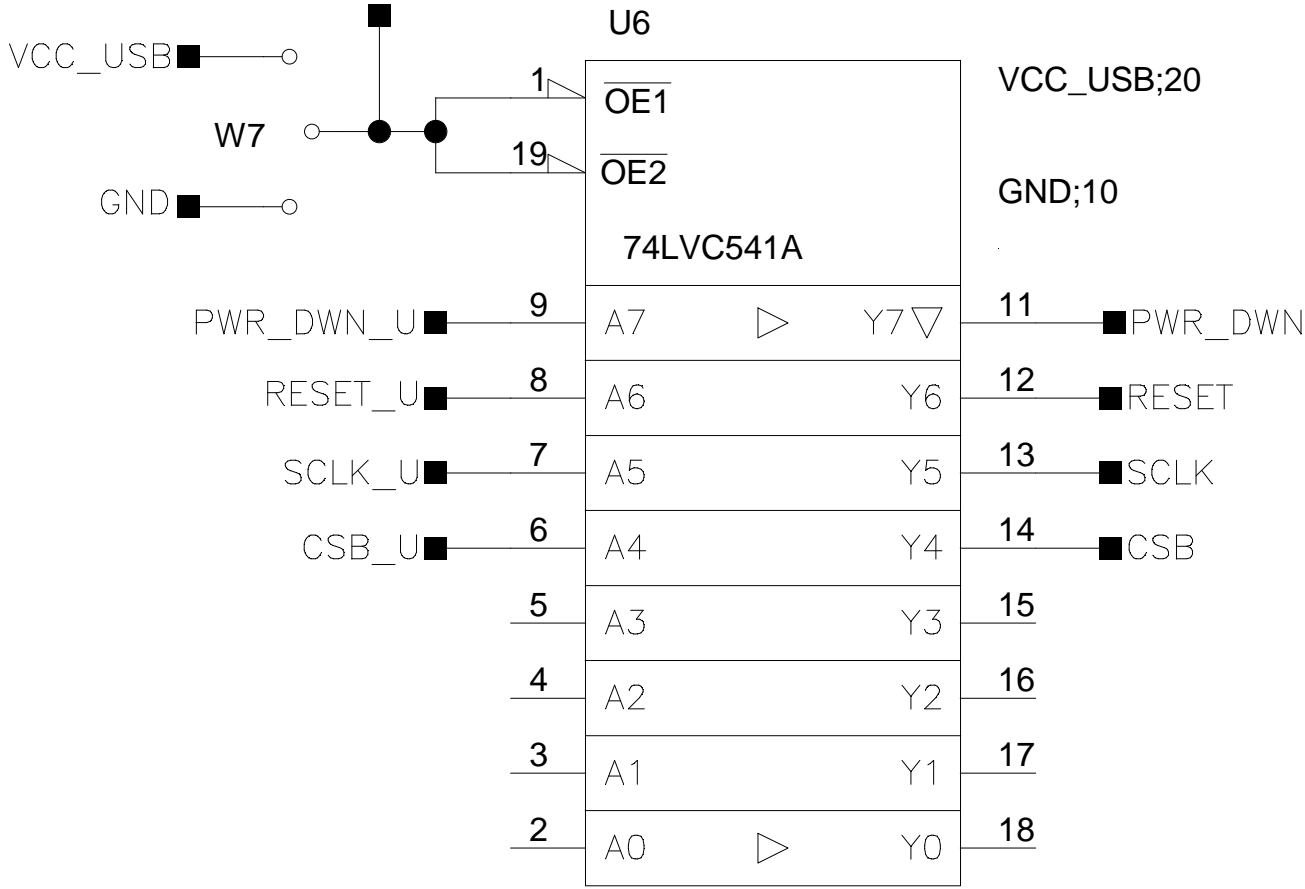


REVISIONS			
REV	DESCRIPTION	DATE	APPROVED

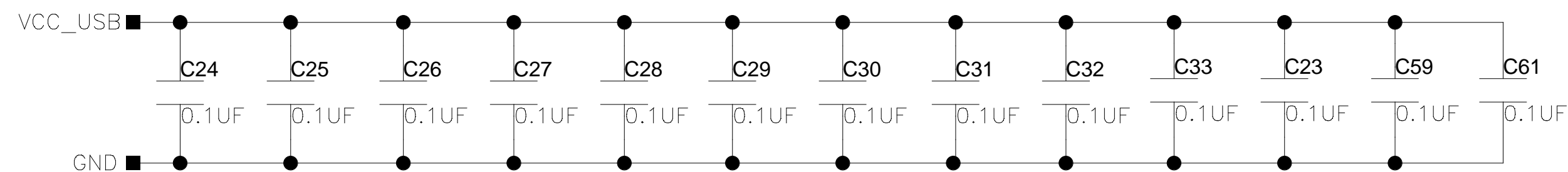
I/O HEADERS



I/O BUFFERS



USB BYPASS CAPACITORS



	HSC GREENSBORO 7910 TRIAD CENTER DRIVE GREENSBORO NC 27409	TITLE <b>AD9911 EVALUATION BOARD</b>	
	DATE: 24 JAN 2006	SHEET 3 OF 3	DRAWING NUMBER
DATE: 24 JAN 2006	SHEET 3 OF 3	DRAWN BY: W. CLARK	REV <b>A</b>