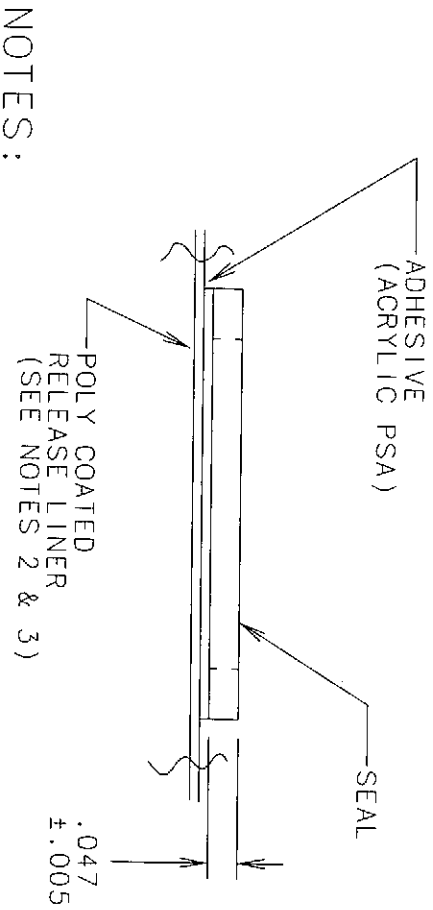
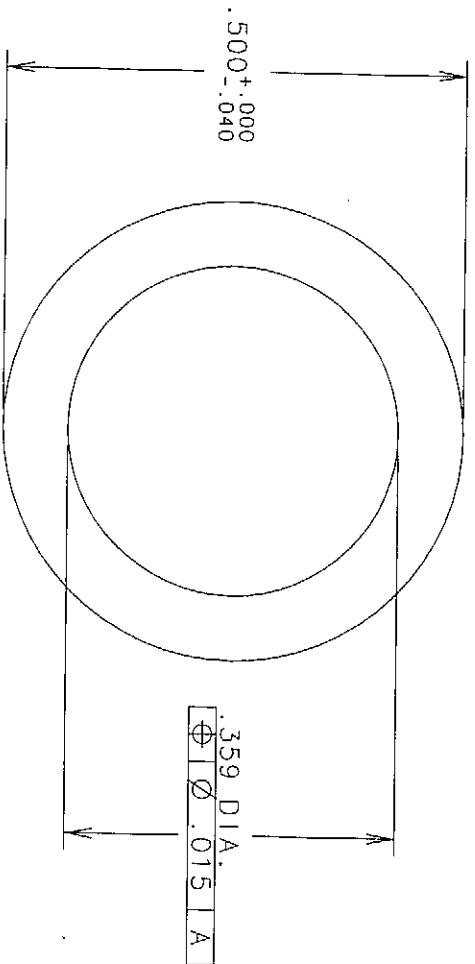


ENG1108

DWG. NO.

51M5169

ALL REVISIONS TO THIS DRAWING
MUST BE MADE ON THE CAD SYSTEM



- NOTES:
1. SEALS WILL BE RED IN COLOR AND SUPPLIED ON SHEETS.
 2. SEALS WILL BE TOTALLY CUT THROUGH WITH PAPER LINER INTACT.
 3. NICKS ON EITHER EDGE ARE ACCEPTABLE IF DIMENSIONS REMAIN WITHIN PRINT TOLERANCE.
 4. SURFACE SCRATCHES ARE ACCEPTABLE IF THEY DO NOT COMPLETELY CROSS BETWEEN THE I.D AND O.D.
 5. MATERIAL: ZZ-R765 CLASS 2A & 2B GRADE 70.

ISSUE	APP/DATE	DESCRIPTION
C	CSR	CHANGED NOTE 1. ECN#367495 CMJ 08/06/07
B	CSR	CHANGED NOTE 2. ECN#367302 CMJ 07/18/07
A	JTK	ORIGINAL ECN#357641 CSR 07/14/05

REVISIONS



GRAYHILL, INC.
561 HILLGROVE AVE.
LA GRANGE, IL 60525
PHONE (708) 354-1040

UNLESS OTHERWISE SPECIFIED TOLERANCES AND DIMENSIONS ARE IN INCHES
LINEAR $\pm .005$ DIAMETERS $\pm .015$
ANGULAR $\pm 0^{\circ} 0'$
LIMITS APPLY BEFORE FINISHING
DO NOT SCALE THIS PRINT

D.O.C. INSTR.		APPROVED DATE	JTK 07/14/05
FINISH		CHECKED DATE	JTK 07/14/05
MATERIAL	SEE NOTE 5.	DRAWN DATE	CSR 07/14/05
NAME	GASKET	CADAM DRAWING	51M5169_C_001
CAGE NO.	81073	DWG. NO.	51M5169
SIZE	A	ISSUE	C
SCALE	5:1 (R)	SHEET	1 OF 1