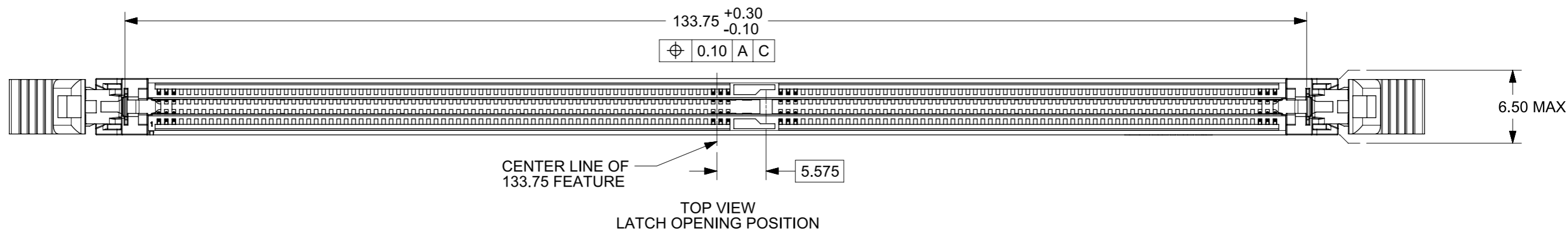


NOTES:

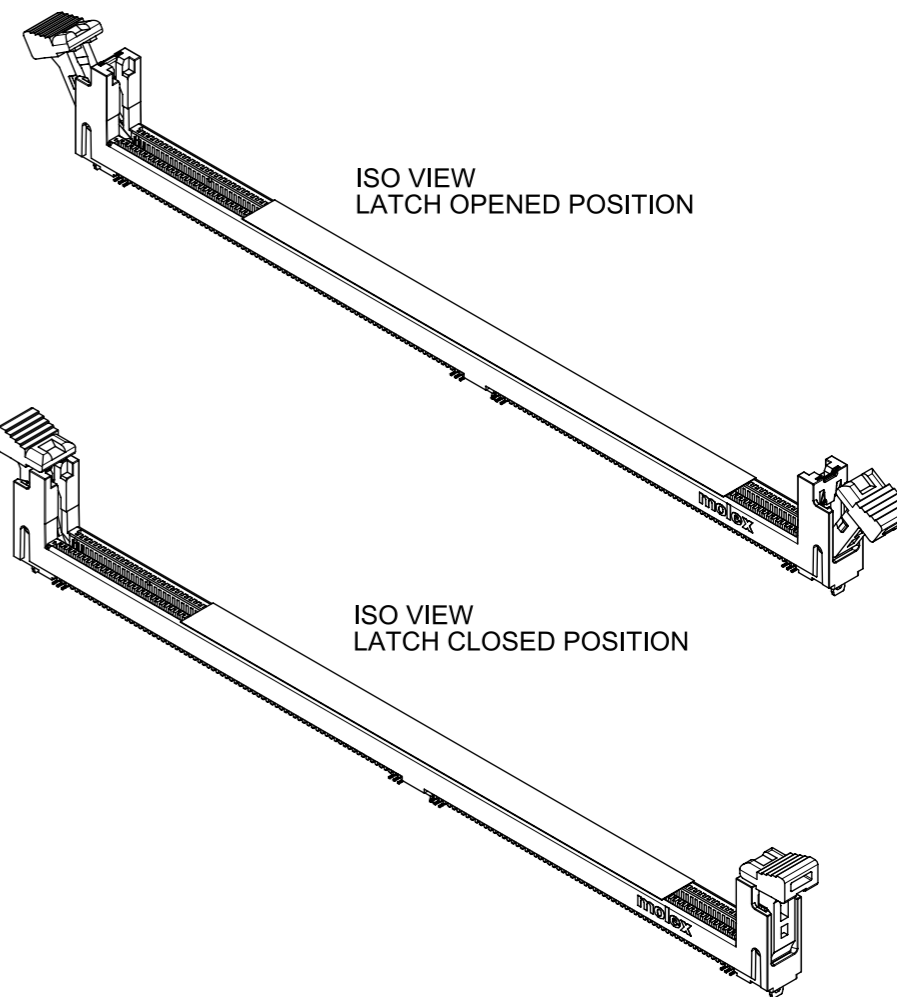
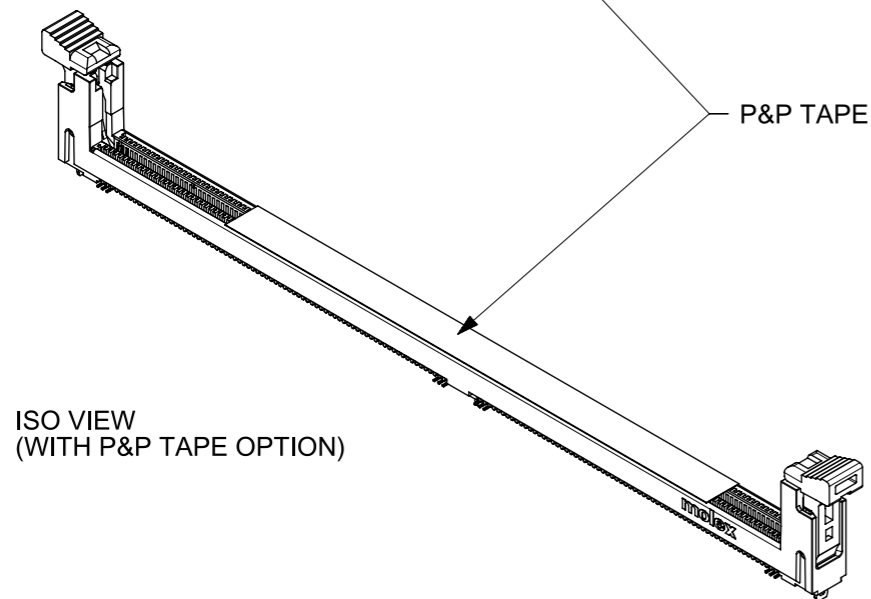
- MATERIAL : HOUSING - HALOGEN FREE HIGH TEMP POLYAMIDE, GLASS FILLED, UL94V-0.
COLOUR : SEE TABLE ON SHEET 5.
LATCH - HALOGEN FREE HIGH TEMP POLYAMIDE, GLASS FILLED, UL94V-0.
COLOUR : SEE TABLE ON SHEET 5.
TERMINAL : COPPER ALLOY.
METALTAB: COPPER ALLOY.
- FINISHES - SEE TABLE ON SHEET 5.
- PRODUCT SPECIFICATION : SEE TABLE ON SHEET 5.
- PACKAGING SPECIFICATION: PRODUCT SHALL BE PACKED IN TRAY, SEE SHEET 5
- CARD SLOT ACCEPTS 1.40±0.10MM MODULE THICKNESS (MEASURED OVER P.C. PADS).
- MOLEX LOGO, DATE & PART NO. INDICATED ON HOUSING.
- MODULE SEATING PLANE.
- KEEP OUT ZONE RESERVED FOR LATCH.
- KEEP OUT AREA IS THE AREA WHERE THE CONNECTOR (INCLUDES LATCHES IN OPENING POSITION) IS MOUNTED ON THE PCB.
- REFER TO AS-78730-001 FOR CONNECTOR APPLICATION GUIDELINE.
- REFER TO AS-78730-002 FOR PCB ROUTING RECOMMENDATIONS.

THIS DESIGN IS BASED ON DESIGN OBJECTIVES AND IS STRICTLY TENTATIVE. IT MAY CHANGE BASED ON RESULTS OF ADDITIONAL DESIGN REVIEWS AND VERIFICATIONS.

THIS DRAWING CONTAINS INFORMATION THAT IS PROPRIETARY TO MOLEX ELECTRONIC TECHNOLOGIES, LLC AND SHOULD NOT BE USED WITHOUT WRITTEN PERMISSION		CURRENT REV DESC:		molex	
DIMENSION UNITS	SCALE				
mm	NTS			DDR4 DIMM, 0.85MM PITCH 288CKTS, VERT. SMT (TAB)	
GENERAL TOLERANCES (UNLESS SPECIFIED)		EC NO: 674190		PRODUCT CUSTOMER DRAWING	
ANGULAR TOL ± 3.0°		DRWN: CCHEN103 2021/07/20		DOCUMENT NUMBER	
4 PLACES ±		CHK'D: SHLENI 2021/08/31		2128250001	
3 PLACES ±		APPR: SHLENI 2021/08/31		DOC TYPE	
2 PLACES ± 0.2		INITIAL REVISION:		PSD	
1 PLACE ±		DRWN: SKANG 2019/04/10		000	
0 PLACES ±		APPR: SHLENI 2019/04/24		A5	
DRAFT WHERE APPLICABLE MUST REMAIN WITHIN DIMENSIONS		THIRD ANGLE PROJECTION	DRAWING	SERIES	MATERIAL NUMBER
			A3-SIZE	212825	SEE TABLE
					CUSTOMER
					GENERAL MARKET
					SHEET NUMBER
					1 OF 5

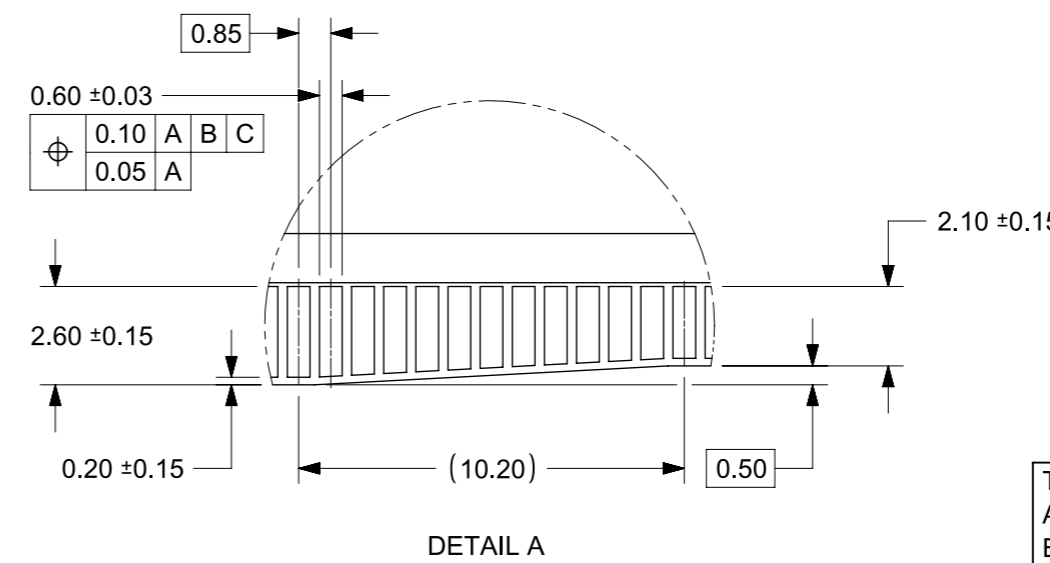
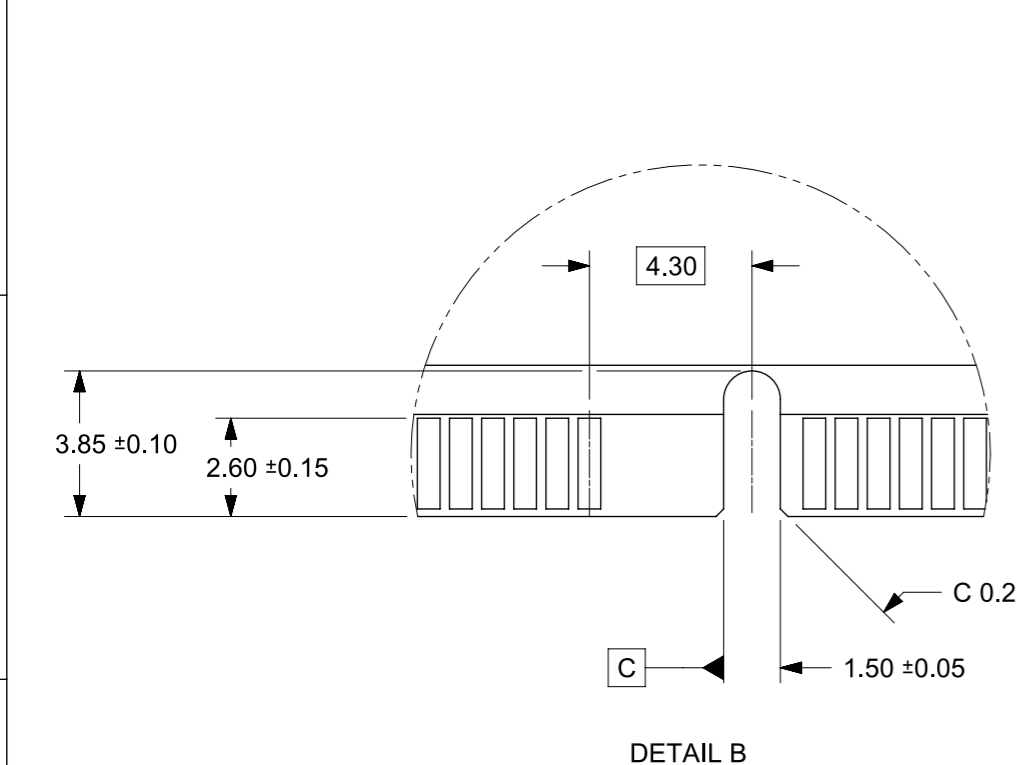
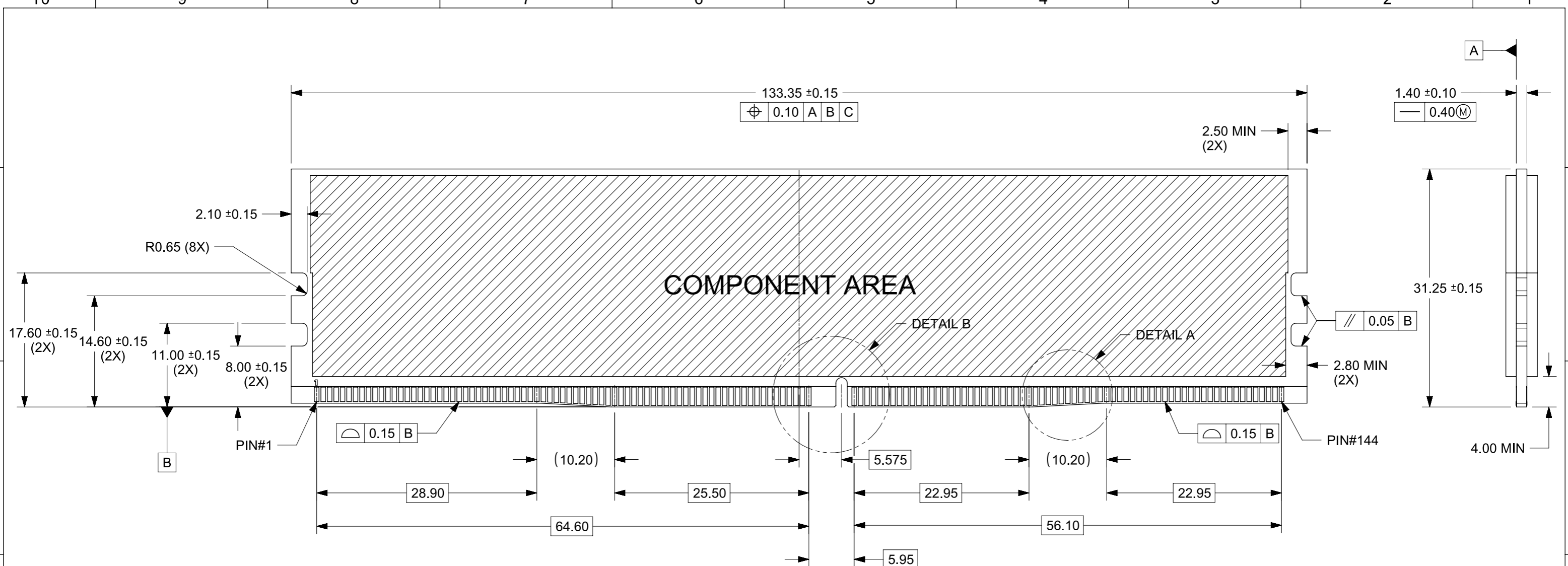


VIEWS WITH P&P TAPE OPTION



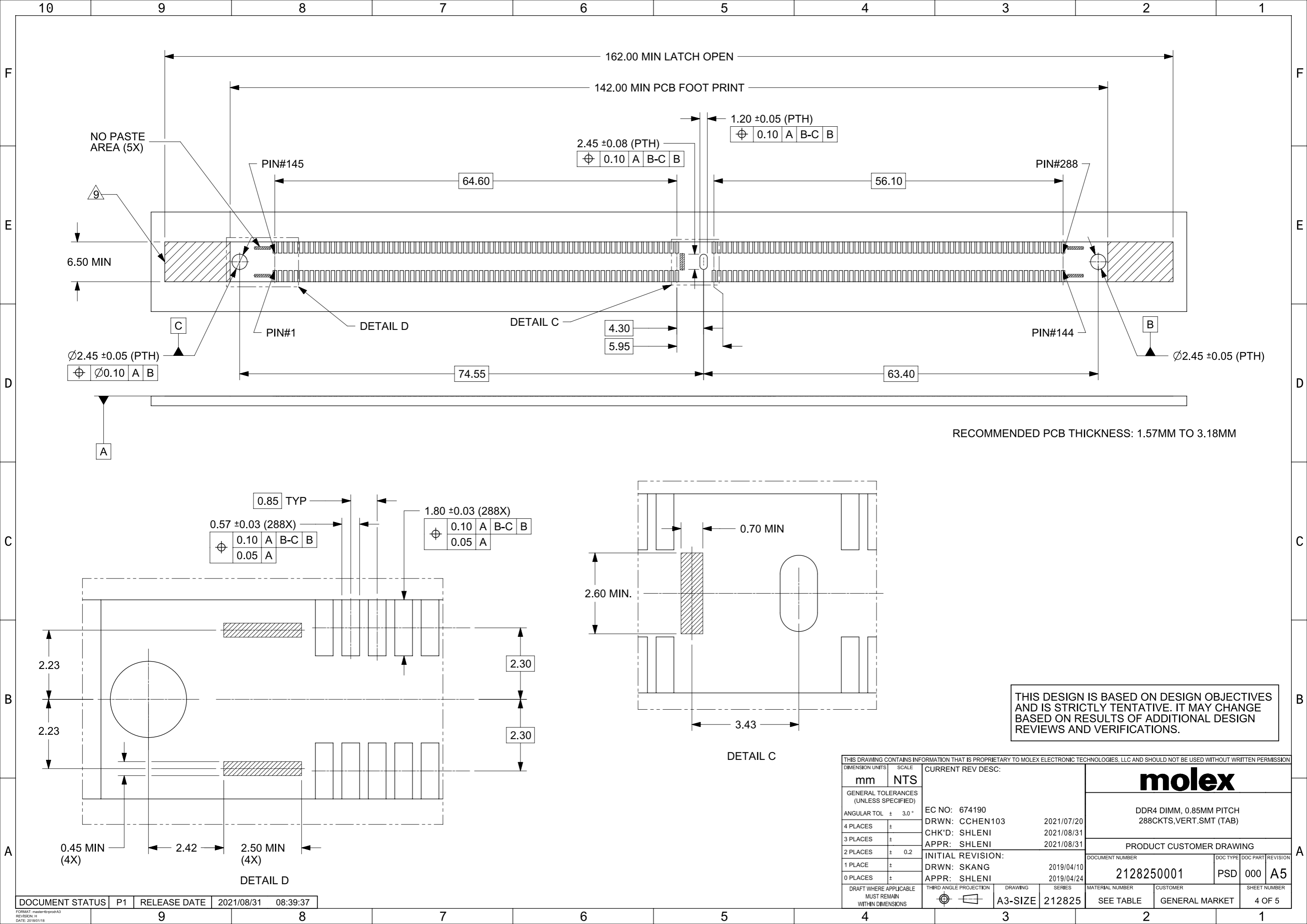
THIS DESIGN IS BASED ON DESIGN OBJECTIVES AND IS STRICTLY TENTATIVE. IT MAY CHANGE BASED ON RESULTS OF ADDITIONAL DESIGN REVIEWS AND VERIFICATIONS.

THIS DRAWING CONTAINS INFORMATION THAT IS PROPRIETARY TO MOLEX ELECTRONIC TECHNOLOGIES, LLC AND SHOULD NOT BE USED WITHOUT WRITTEN PERMISSION									
DIMENSION UNITS		SCALE		CURRENT REV DESC:				molex	
mm		NTS							
GENERAL TOLERANCES (UNLESS SPECIFIED)				EC NO: 674190					
ANGULAR TOL ± 3.0 °				DRWN: CCHEN103		2021/07/20		DDR4 DIMM, 0.85MM PITCH	
4 PLACES ±				CHK'D: SHLENI		2021/08/31		288CKTS, VERT. SMT (TAB)	
3 PLACES ±				APPR: SHLENI		2021/08/31		PRODUCT CUSTOMER DRAWING	
2 PLACES ± 0.2				INITIAL REVISION:				DOCUMENT NUMBER	
1 PLACE ±				DRWN: SKANG		2019/04/10		2128250001	
0 PLACES ±				APPR: SHLENI		2019/04/24		PSD 000 A5	
DRAFT WHERE APPLICABLE MUST REMAIN WITHIN DIMENSIONS		THIRD ANGLE PROJECTION		DRAWING		SERIES		MATERIAL NUMBER	
				A3-SIZE		212825		SEE TABLE	
CUSTOMER		GENERAL MARKET		SHEET NUMBER		2 OF 5			

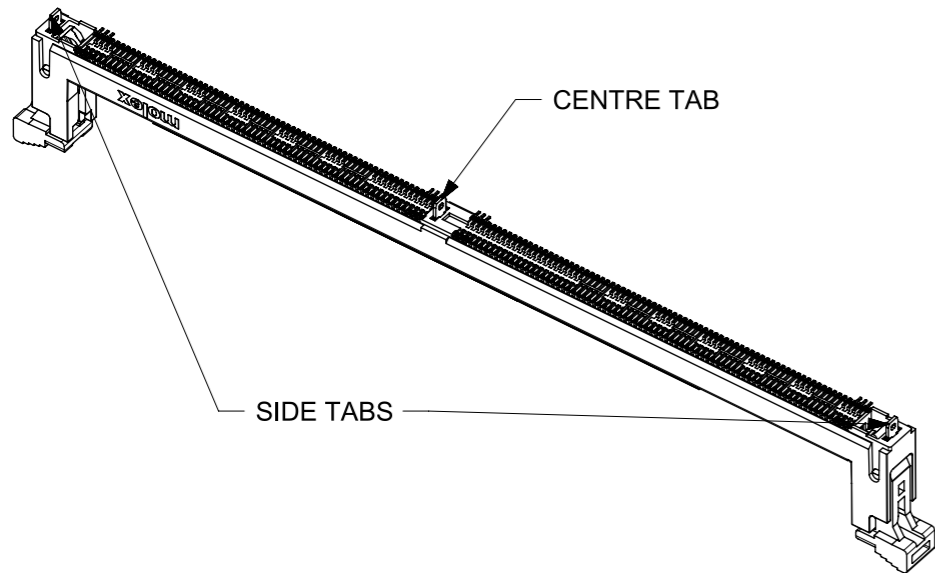


THIS DESIGN IS BASED ON DESIGN OBJECTIVES AND IS STRICTLY TENTATIVE. IT MAY CHANGE BASED ON RESULTS OF ADDITIONAL DESIGN REVIEWS AND VERIFICATIONS.

THIS DRAWING CONTAINS INFORMATION THAT IS PROPRIETARY TO MOLEX ELECTRONIC TECHNOLOGIES, LLC AND SHOULD NOT BE USED WITHOUT WRITTEN PERMISSION		CURRENT REV DESC:		molex	
DIMENSION UNITS	SCALE				
mm	NTS			DDR4 DIMM, 0.85MM PITCH 288CKTS,VERT.SMT (TAB)	
GENERAL TOLERANCES (UNLESS SPECIFIED)				PRODUCT CUSTOMER DRAWING	
ANGULAR TOL	± 3.0 °	EC NO:	674190	DOCUMENT NUMBER	2128250001
4 PLACES	±	DRWN:	CCHEN103 2021/07/20	DOC TYPE	PSD
3 PLACES	±	CHK'D:	SHLENI 2021/08/31	DOC PART	000
2 PLACES	± 0.2	APPR:	SHLENI 2021/08/31	REVISION	A5
1 PLACE	±	INITIAL REVISION:			
0 PLACES	±	DRWN:	SKANG 2019/04/10		
		APPR:	SHLENI 2019/04/24		
DRAFT WHERE APPLICABLE MUST REMAIN WITHIN DIMENSIONS	THIRD ANGLE PROJECTION	DRAWING	A3-SIZE	SERIES	212825
		MATERIAL NUMBER	SEE TABLE	CUSTOMER	GENERAL MARKET
				SHEET NUMBER 3 OF 5	



10	9	8	7	6	5	4	3	2	1				
										CKT SIZE	ASSEMBLY PART NO.	HOUSING COLOUR	LATCH COLOUR
						SIDE TAB	CENTRE TAB	TERMINAL	METAL TAB				
F	288	2128251502	BLACK	BLACK	NO	2.00	2.10	CONTACT AREA 0.76µM/30µIN MIN GOLD ON CONTACT 2.54µM/100µIN MIN NICKEL UNDERPLATE		PS-78730-001			
		2128251503		OFF-WHITE									
		2128251504	OFF-WHITE	BLACK									
		2128251505		OFF-WHITE									
		2128251506	BLUE	BLACK									
		2128251507		OFF-WHITE									
		2128252502	BLACK	BLACK									YES (X=60mm, Y=28.97mm)
		2128252503		OFF-WHITE									
		2128252504	OFF-WHITE	BLACK									
		2128252505		OFF-WHITE									
2128252506	BLUE	BLACK											
2128252507		OFF-WHITE											
2128251652	BLACK	BLACK	NO										
2128251653		OFF-WHITE											
2128251654	OFF-WHITE	BLACK											
2128251655		OFF-WHITE											
2128251658	YELLOW	OFF-WHITE											
2128252652	BLACK	BLACK		YES (X=60mm, Y=28.97mm)									
2128252653		OFF-WHITE											
2128252654	OFF-WHITE	BLACK											
2128252655		OFF-WHITE											
(A5) 2128252656	BLUE	BLUE											
(A5) 2128252657	BLUE	OFF-WHITE											
2128252658	YELLOW	OFF-WHITE											
2128253652	BLACK	BLACK	YES (X=90mm, Y=19.54mm)										
2128253656	BLUE	BLUE											
2128253653	BLACK	OFF-WHITE											
2128253654	OFF-WHITE	BLACK											
2128253655		OFF-WHITE											
2128253657	BLUE	OFF-WHITE											
2128253658	YELLOW	OFF-WHITE											
2128253659	BLACK	YELLOW											
2128253660	BLUE	YELLOW											



THIS DESIGN IS BASED ON DESIGN OBJECTIVES AND IS STRICTLY TENTATIVE. IT MAY CHANGE BASED ON RESULTS OF ADDITIONAL DESIGN REVIEWS AND VERIFICATIONS.

THIS DRAWING CONTAINS INFORMATION THAT IS PROPRIETARY TO MOLEX ELECTRONIC TECHNOLOGIES, LLC AND SHOULD NOT BE USED WITHOUT WRITTEN PERMISSION											
DIMENSION UNITS		SCALE		CURRENT REV DESC:						molex	
mm		NTS									
GENERAL TOLERANCES (UNLESS SPECIFIED)				EC NO: 674190						DDR4 DIMM, 0.85MM PITCH	
ANGULAR TOL ± 3.0°				DRWN: CCHEN103 2021/07/20						288CKTS, VERT. SMT (TAB)	
4 PLACES ±				CHK'D: SHLENI 2021/08/31						PRODUCT CUSTOMER DRAWING	
3 PLACES ±				APPR: SHLENI 2021/08/31						DOCUMENT NUMBER	
2 PLACES ± 0.2				INITIAL REVISION:						2128250001	
1 PLACE ±				DRWN: SKANG 2019/04/10						DOC TYPE	
0 PLACES ±				APPR: SHLENI 2019/04/24						PSD	
DRAFT WHERE APPLICABLE MUST REMAIN WITHIN DIMENSIONS				THIRD ANGLE PROJECTION		DRAWING		SERIES		MATERIAL NUMBER	
				A3-SIZE		212825		CUSTOMER		SEE TABLE	
								GENERAL MARKET		SHEET NUMBER	
										5 OF 5	

DOCUMENT STATUS	P1	RELEASE DATE	2021/08/31	08:39:37
-----------------	----	--------------	------------	----------