

Housing screw connection - SACC-M12 PLUG PRESS - 1437892

Please be informed that the data shown in this PDF Document is generated from our Online Catalog. Please find the complete data in the user's documentation. Our General Terms of Use for Downloads are valid (<http://phoenixcontact.com/download>)



M12 pin, housing screw connection, press-in version, for all Speedcon-compatible THR and wave soldering contact carriers

Your advantages

- Easy device integration, thanks to mechanical port screw connections with press-in contour
- Flexible PCB assembly: two-piece connectors for wave and THR soldering



Key Commercial Data

Packing unit	10 pc
GTIN	
GTIN	4046356457569

Technical data

Ambient conditions

Ambient temperature (operation)	-25 °C ... 105 °C (Plug / socket)
	-40 °C ... 105 °C (without mechanical actuation)

General

Mounting type	M12 x 1
---------------	---------

Material

Material	CuZn (nickel-plated)
----------	----------------------

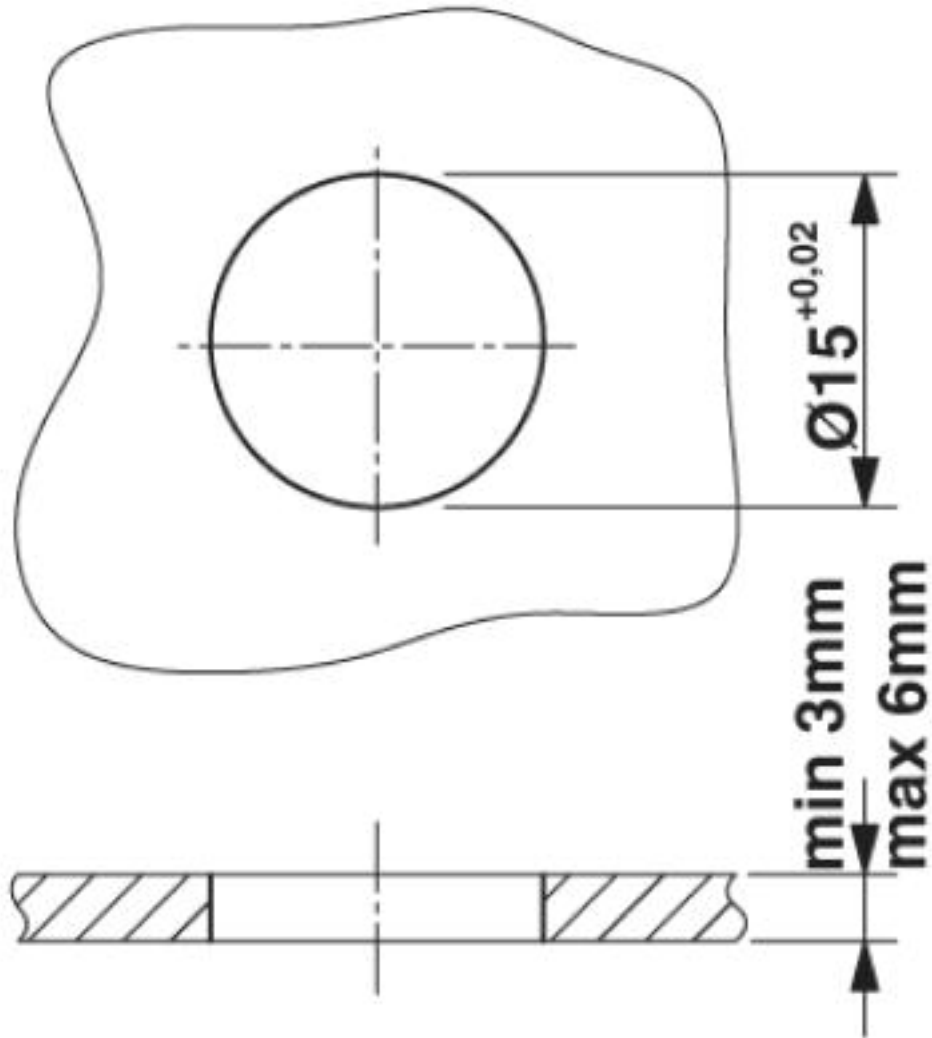
Environmental Product Compliance

REACH SVHC	Lead 7439-92-1
China RoHS	Environmentally Friendly Use Period = 50
	For details about hazardous substances go to tab "Downloads", Category "Manufacturer's declaration"

Drawings

Housing screw connection - SACC-M12 PLUG PRESS - 1437892

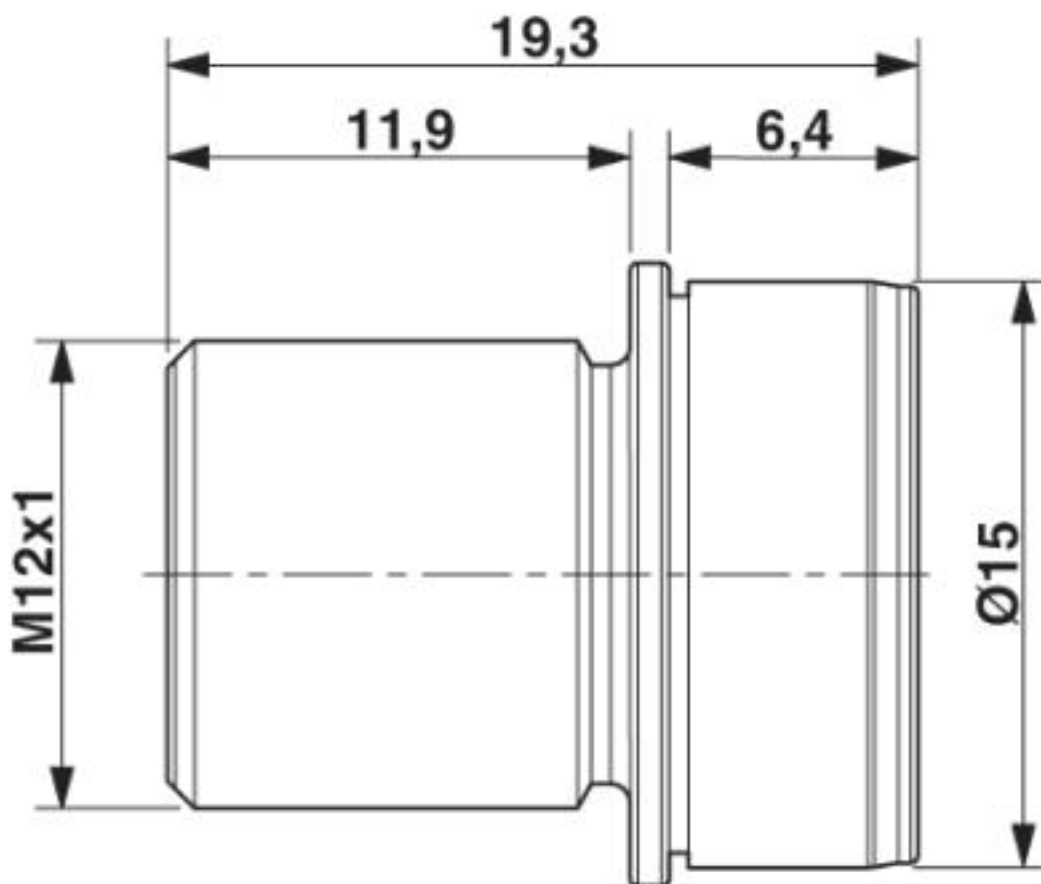
Dimensional drawing



Housing bore holes

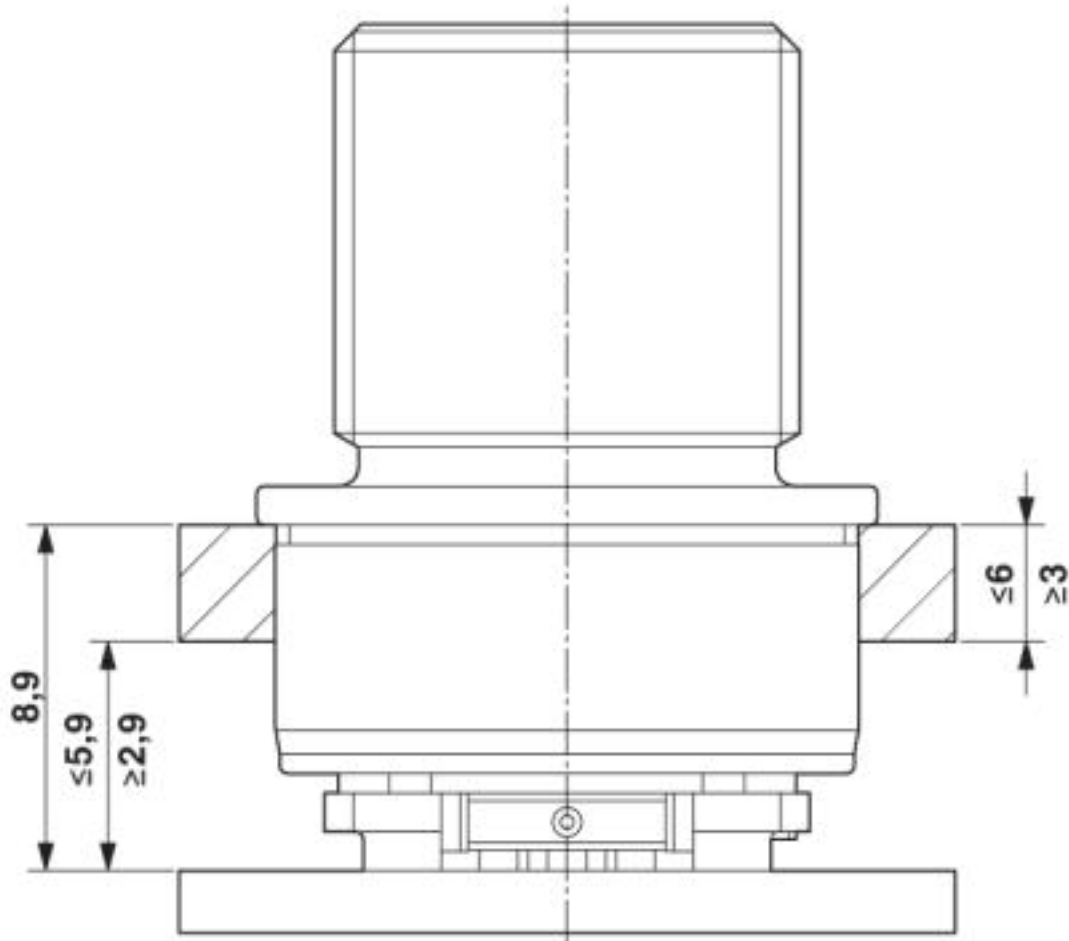
Housing screw connection - SACC-M12 PLUG PRESS - 1437892

Dimensional drawing



Housing screw connection - SACC-M12 PLUG PRESS - 1437892

Dimensional drawing



Approvals

Approvals

Approvals

EAC

Ex Approvals

Approval details

EAC		B.01742
-----	--	---------



Phoenix Contact 2019 © - all rights reserved
<http://www.phoenixcontact.com>

PHOENIX CONTACT GmbH & Co. KG
Flachmarktstr. 8
32825 Blomberg
Germany
Tel. +49 5235 300
Fax +49 5235 3 41200
<http://www.phoenixcontact.com>