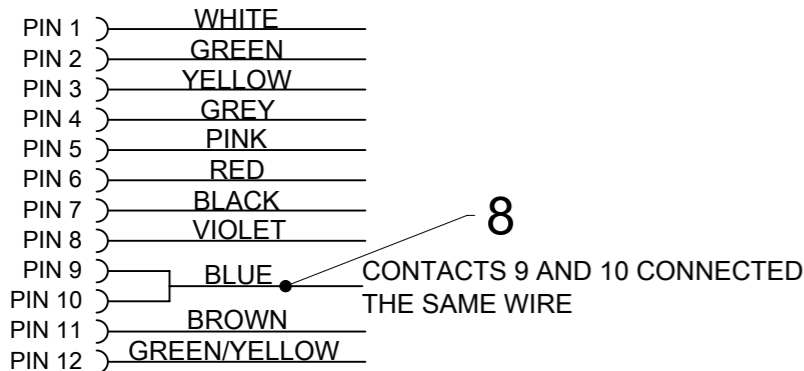
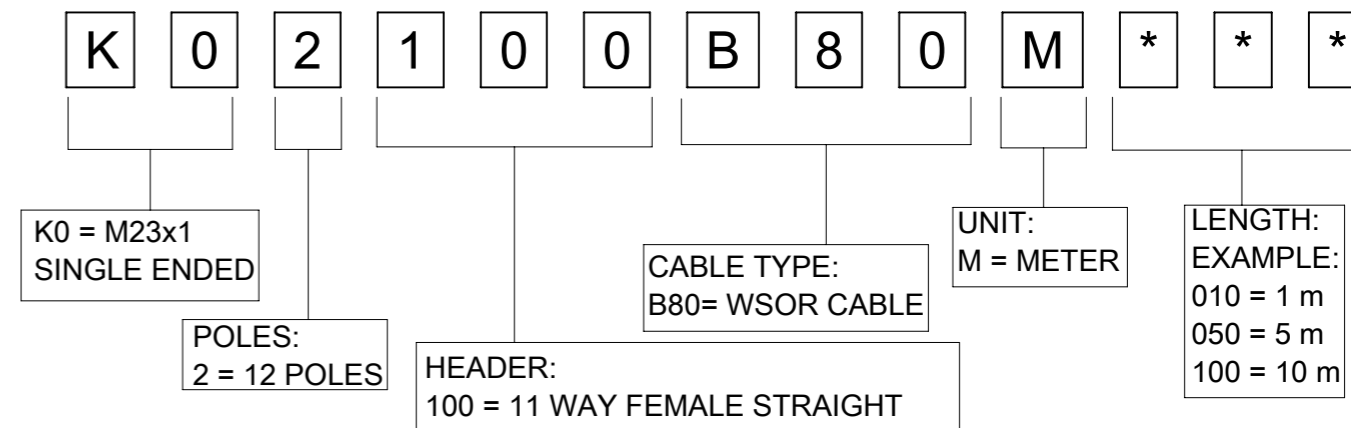


WIRING DIAGRAM



PART NO MATRIX

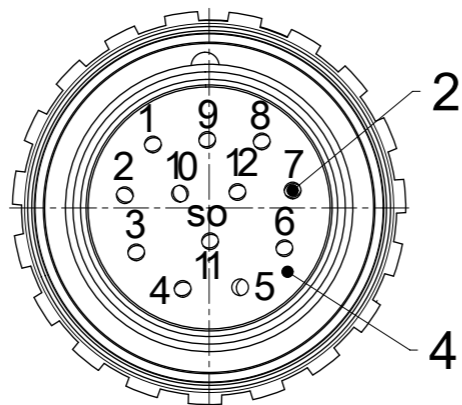


CABLE SPECIFICATION

JACKET:
 COMPOUND: TPU
 COLOR: BLACK
 DIAMETER: 8.50±0.25mm
 TEMPERATURE RATING: -40°C TO +90°C

CONNECTOR PIN ASSIGNMENT

M23 12 POLE
 FRONT SIDE VIEW



SCALE 2:1

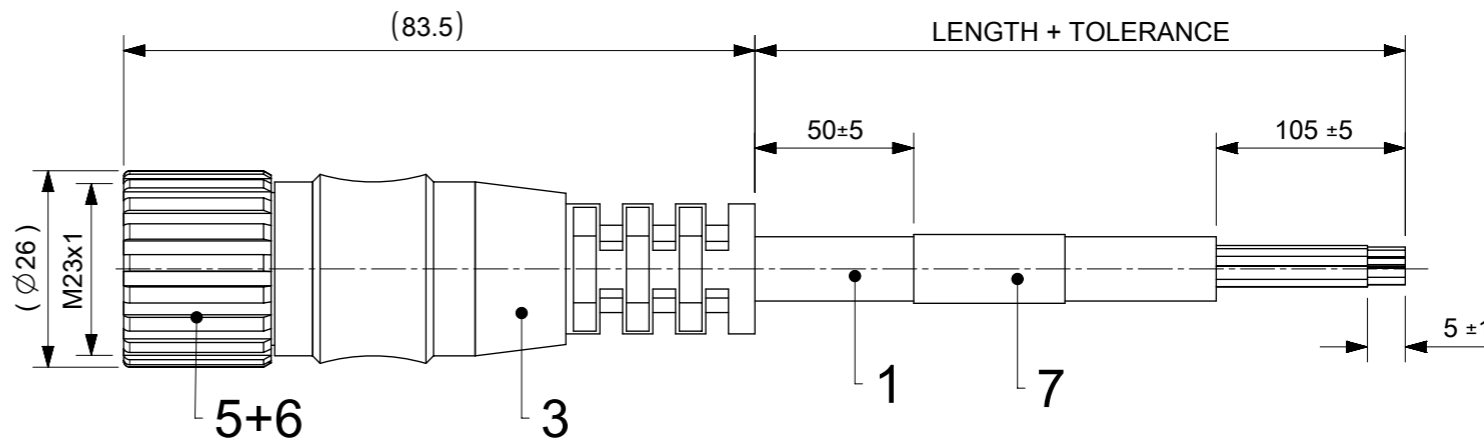
ELECTRICAL DATA

VOLTAGE RATING : 30V
 AMPERAGE RATING : 1.5A
 INSULATION RESISTANCE : 10⁸Ω MIN.
 MATING CYCLES : MIN. 100

ENVIRONMENTAL :
 PROTECTION : IP67 IN MATED
 AND LOCKED POSITION

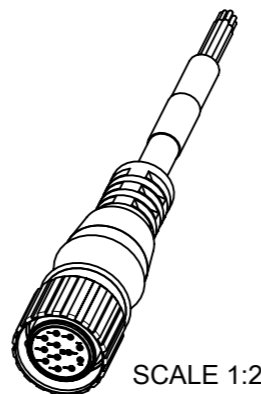
NOTES

SPECIFICATION (BOM - ITEM 9) PRINTED ON A5 SIZE SHEET



BILL OF MATERIAL

ITEM NO.	QTY	DESCRIPTION	MATERIAL	FINISH
9	-	INST.LEAFLET-K02100B20MXXX	-	-
8	-	WIRE;18AWG	BLUE	PVC
7	1	LABEL	VINYL	YELLOW
6	1	RETAINING RING	SPRING SS	-
5	1	M23 FEMALE COUPLING NUT	BRASS	Ni-PLATED
4	1	M23 FEMALE INSERT 12P	TPU	BLACK
3	1	OVERMOLD	TPU	BLACK
2	12	CONTACT 10 FE	BRONZE	Ni-PLATED
1	SEE PART LIST	Cable:3X19AWG+8X22AWG	TPU WSOR	BLACK



PART LIST

MOLEX P/N	ENGINEERING P/N	LENGTH [mm]
1200948142	K02100B80M010	1000
1200948143	K02100B80M050	5000
1200948144	K02100B80M100	10000
1200948145	K02100B80M150	15000
1200948146	K02100B80M200	20000
1200948147	K02100B80M300	30000

CABLE LENGTH TOLERANCES

LENGTH	TOLERANCE
0m-1m	+40 mm
>1m-5m	+60 mm
>5m-10m	+80 mm
>10m-20m	+140 mm
>20m-30m	+160 mm
>30m	+1% length

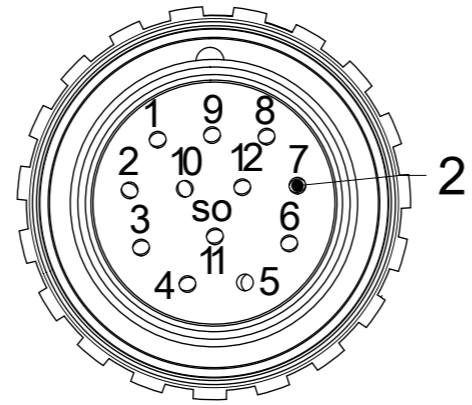
FUNCTIONAL SYMBOLS FA = 0 FE = 0 FV = 0	THIS DRAWING CONTAINS INFORMATION THAT IS PROPRIETARY TO MOLEX ELECTRONIC TECHNOLOGIES, LLC AND SHOULD NOT BE USED WITHOUT WRITTEN PERMISSION	CURRENT REV DESC: WIRING DIAGRAM UPDATED	
	DIMENSION UNITS: mm SCALE: 1:1	GENERAL TOLERANCES (UNLESS SPECIFIED) ANGULAR TOL ± 1.0°	
DIVISIONAL SYMBOLS	4 PLACES ±	EC NO: 703837	2022/04/21
	3 PLACES ±	DRWN: MDHARMANTI	
2 PLACES ± 0.05	CHK'D: RSILLER	2022/04/21	2022/04/21
1 PLACE ± 0.3	APPR: RSILLER	INITIAL REVISION:	
0 PLACES ± 0.5	DRWN: MDHARMANTI	2021/12/14	2021/12/21
DRAFT WHERE APPLICABLE MUST REMAIN WITHIN DIMENSIONS	APPR: RSILLER	2021/12/21	
THIRD ANGLE PROJECTION	DRAWING: A3-SIZE	SERIES: 120094	MATERIAL NUMBER: SEE PART LIST
	CUSTOMER: GENERAL MARKET	DOCUMENT NUMBER: 1200948142	DOC TYPE: PSD
		DOC PART: 000	REVISION: A2
			SHEET NUMBER: 1 OF 1

Wiring Diagram

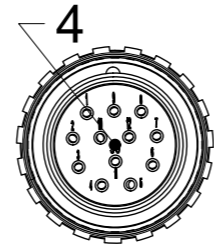
- 1 White
- 2 Green
- 3 Yellow
- 4 Grey
- 5 Grey/Pink
- 6 Red/Blue
- 7 White/Green
- 8 Brown/Green
- 9 Blue
- 10 Blue
- 11 Brown
- 12 Green/Yellow

Contacts 9 and 10 connected the same wire.

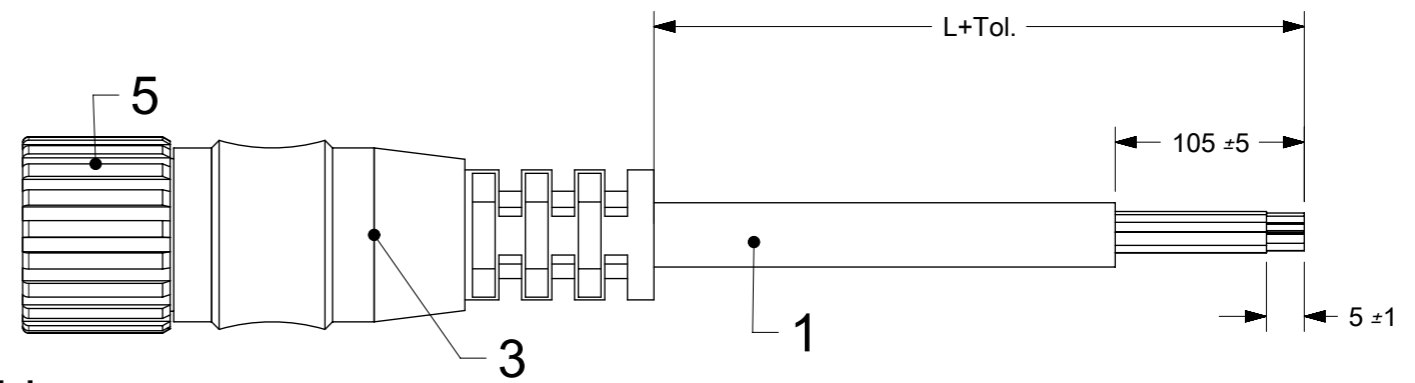
Connector Pin Assignment for M23 12 Pole Front Side View



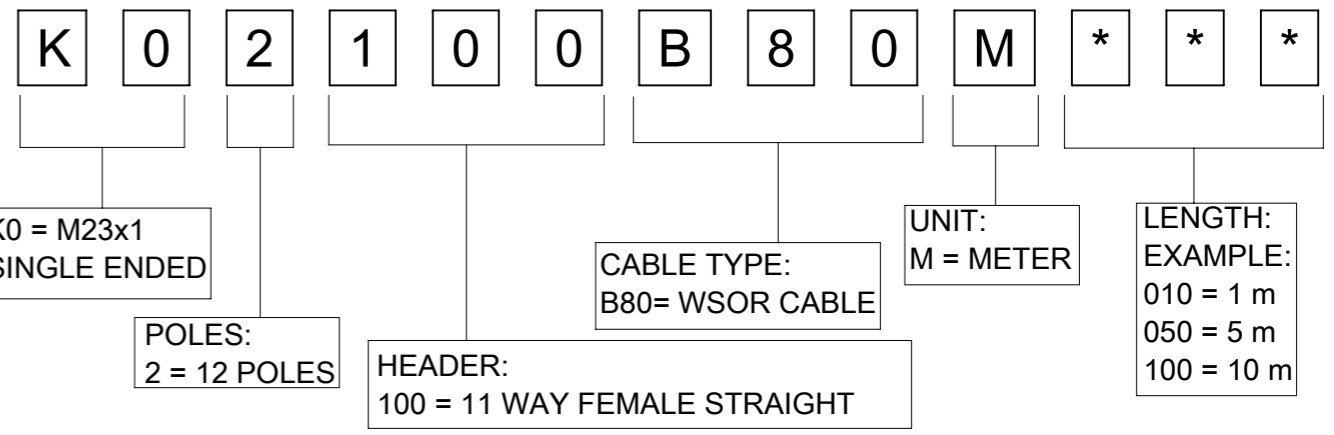
Scale: 2:1



View From The Front Side



PART NO MATRIX



CABLE SPECIFICATION:

CONDUCTOR A:
 MATERIAL: BARE COPPER
 SECTION: 0.75mm²/19AWG
 STRANDING: 42X0.15mm

INSULATION A:
 COMPOUND: TPE
 DIAMETER: 1.75±0.10mm

CONDUCTOR B:
 MATERIAL: BARE COPPER
 SECTION: 0.34mm²/22AWG
 STRANDING: 42X0.10mm

INSULATION B:
 COMPOUND: TPE
 DIAMETER: 1.30±0.10mm

JACKET:
 COMPOUND: TPU
 COLOR: BLACK
 DIAMETER: 8.50±0.25mm
 TEMPERATURE RATING: -40°C TO +90°C
 VOLTAGE RATING: 600V

BILL OF MATERIALS

QTY	DESCRIPTION	MATERIAL	FINISH
5 1	M23 Female coupling nut	Brass	Nickel Plated
4 1	M23 Female insert 12P	TPU	Black
3 1	Overmould	TPU	Black
2 12	Contacts	Bronze	Nickel Plated
1 L	Cable:3X19AWG+8X22AWG	TPU WSOR	Black

Table 1

Molex P/N	Engineering P/N	Length L[mm]	Tol.[mm]
1200948142	K02100B80M010	1000	+40
1200948143	K02100B80M050	5000	+60
1200948144	K02100B80M100	10000	+80
1200948145	K02100B80M150	15000	+140
1200948146	K02100B80M200	20000	+140
1200948147	K02100B80M300	30000	+160

THIS DRAWING CONTAINS INFORMATION THAT IS PROPRIETARY TO MOLEX ELECTRONIC TECHNOLOGIES, LLC AND SHOULD NOT BE USED WITHOUT WRITTEN PERMISSION

QUALITY SYMBOLS FA = 0 FE = 0 FP = 0 ▼ = 0 C = 0 ⊗ = 0 ■ = 0 ∇ = 0	EC NO: 107291 DRWN: MMAJGAT CHK'D: MIWASIECZKO APPR: MIWASIECZKO	2016/08/06 2016/08/08	GENERAL TOLERANCES (UNLESS SPECIFIED)		DIMENSION UNITS	SCALE				
			ANGULAR TOL ± °		MM	1:1				
			4 PLACES ±	3 PLACES ±	DRWN BY	DATE				
			3 PLACES ±	2 PLACES ±	MMAJGAT	2016/04/13				
1 PLACE ±	0 PLACES ±	CHK'D BY	DATE	PRODUCT CUSTOMER DRAWING						
DRAFT WHERE APPLICABLE MUST REMAIN WITHIN DIMENSIONS		APPR BY	DATE	DRAWING SIZE		THIRD ANGLE PROJECTION	SERIES	MATERIAL NUMBER	CUSTOMER	
		MIWASIECZKO	2016/08/02	A3			120094	SEE TABLE 1		
		REV					DOCUMENT NUMBER	DOC TYPE	DOC PART	SHEET NUMBER
		A1					1200948142	PSD	00P	1 OF 1