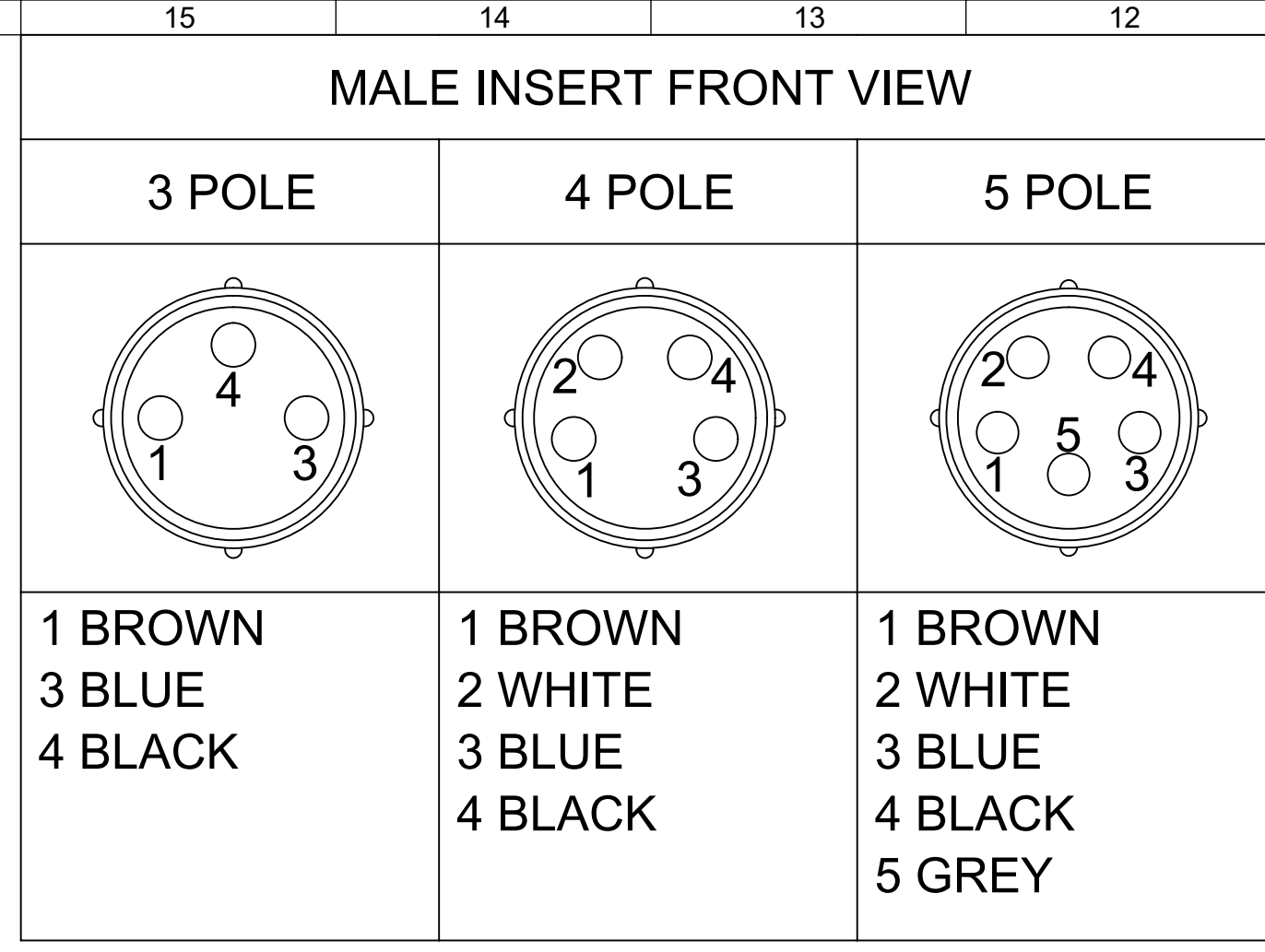


| MATERIAL NO. | ENGINEERING NO. | FINISHED LENGTH    |
|--------------|-----------------|--------------------|
| 1200860131   | 403006A10M010   | 1M [3 FT 3 IN]     |
| 1200860185   | 404006A10M050   | 5M [16 FT 5 IN]    |
| 1200860579   | 405006A10M100   | 10M [32 FT 9.7 IN] |

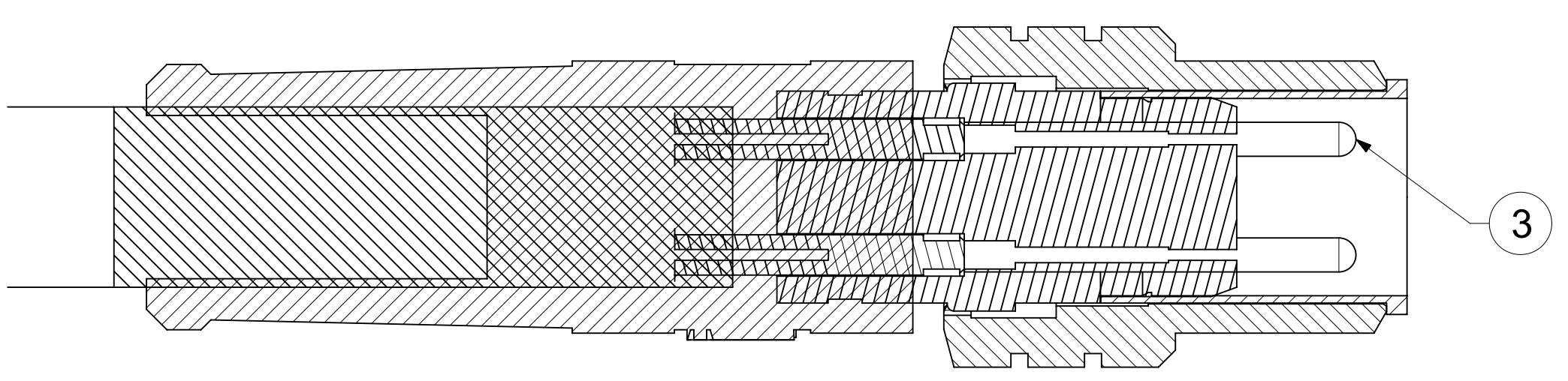
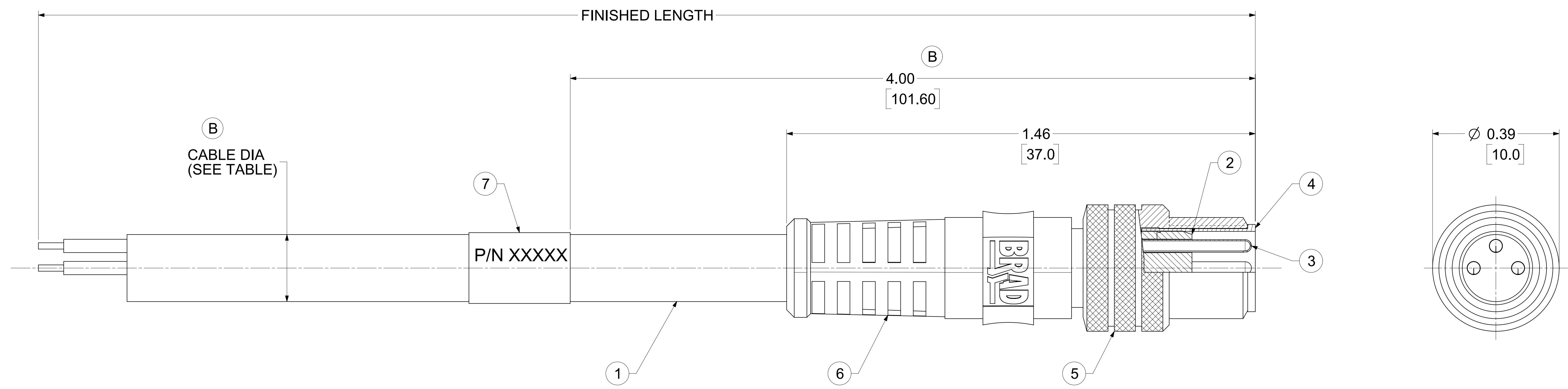
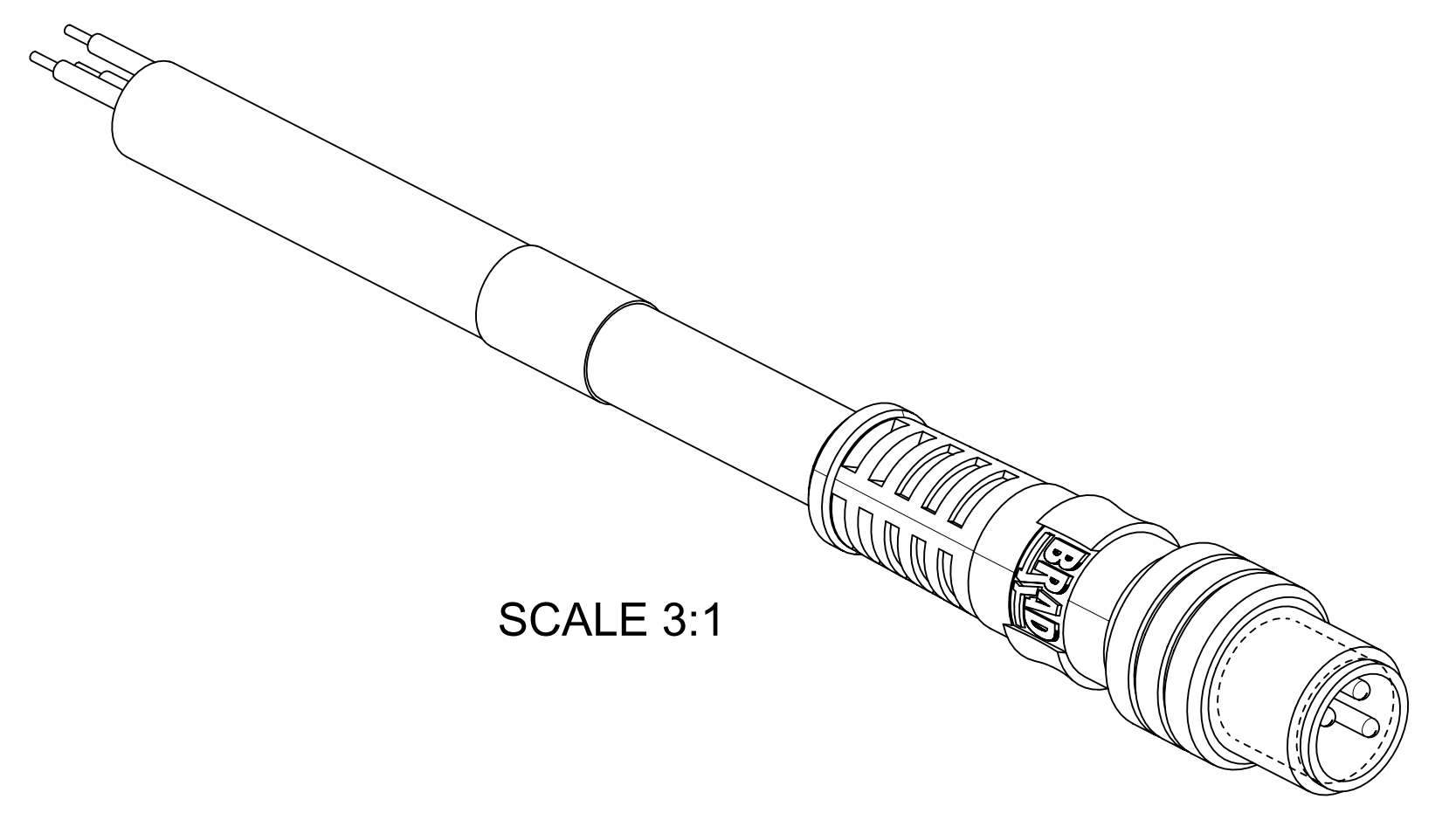


**PART NUMBER LEGEND**

403006A10M010

3- 3 POLES  
4- 4 POLES  
5- 5 POLES

FINISHED LENGTH  
M001 = .1 METER  
M010 = 1 METER  
M100 = 10 METER



- NOTES:**
- MATERIAL: AS NOTED
  - FINISH: AS NOTED
  - ELECTRICAL:  
VOLTAGE: 60VAC/75VDC  
CURRENT: 4A (3&4 POLE), 3A (5 POLE)
  - TEMP RATING: -20°C TO +105°C
  - PROTECTION: IP67 (WHEN MATED)
  - COUPLING THREAD: M8x1
  - UL LISTED FILE: E152210  
CSA CERTIFIED FILE: LR6837
  - ALL DIMS ARE FOR REFERENCE UNLESS TOLERANCED OR NOTED OTHERWISE

| 7    | WRAP LABEL         | VINYL      | BLACK/YELLOW     |
|------|--------------------|------------|------------------|
| 6    | OVERMOLD           | TPC        | YELLOW           |
| 5    | MALE COUPLING NUT  | BRASS      | NICKEL PLATED    |
| 4    | MALE SLEEVE        | BRASS      | NICKEL PLATED    |
| 3    | PIN CONTACT        | Cu ALLOY   | GOLD OVER NICKEL |
| 2    | MALE INSERT        | PUR        | BLACK            |
| 1    | CABLE, 3-5P, 24AWG | PVC JACKET | YELLOW           |
| ITEM | DESCRIPTION        | MATERIAL   | FINISH           |

| POLES | CABLE DIA.  |
|-------|-------------|
| 3     | 0.17 [4.31] |
| 4     | 0.18 [4.57] |
| 5     | 0.20 [5.08] |

**CABLE LENGTH TOLERANCES**

<.3M [1FT]: +19mm-0 [ +.75in-0]

.3 - .9M [1 - 3FT]: +44.5mm-0 [+1.75in-0]

.9 - 1.8M [3 - 6FT]: +55.6mm-0 [+2.19in-0]

1.8 - 3.7M [6 - 12FT]: +88.9mm-0 [+3.50in-0]

3.7 - 7.3M [12 - 24FT]: +165.1mm-0 [+6.50in-0]

7.3-14.6M [24 - 48FT]: +317.5mm-0 [+12.50in-0]

14.6 - 30.5M [48-100FT]: +622.3mm-0 [+24.50in-0]

OVER 30M [100FT] +2% OF FINISHED LENGTH

|                    |                                       |   |      |   |           |
|--------------------|---------------------------------------|---|------|---|-----------|
| FUNCTIONAL SYMBOLS |                                       | THIS DRAWING CONTAINS INFORMATION THAT IS PROPRIETARY TO MOLEX ELECTRONIC TECHNOLOGIES, LLC AND SHOULD NOT BE USED WITHOUT WRITTEN PERMISSION |      | CURRENT REV DESC: ITEM # 6 WAS PVC, UPDATED MATERIAL TABLE. ADDED STD. NOTES, PART NUMBER LEGEND, TOL. TABLE & CABLE DIA. |           |
| FA = 0             | INCH/MM                               | SCALE   | 6:1  | EC NO: 701162   |           |
| FC = 0             | GENERAL TOLERANCES (UNLESS SPECIFIED) |   |      | DRWN: AKABADI 2021/10/06  |           |
| FE = 0             |                                       | MM  | INCH | CHK'D: RSTONE 2022/03/30  |           |
| DIVISIONAL SYMBOLS |                                       | 4 PLACES  | ±    | APPR: BWOODMAN 2022/04/08   |           |
|                    |                                       | 3 PLACES  | ±    | INITIAL REVISION:   |           |
|                    |                                       | 2 PLACES  | ±    | DRWN: NKUMAR01 14/07/09   |           |
|                    |                                       | 1 PLACE   | ±    | APPR: JFMURPHY 14/07/09   |           |
|                    |                                       | 0 PLACES  | ±    | THIRD ANGLE PROJECTION  |           |
|                    |                                       | ANGULAR TOL   | ± °  | DRAFT WHERE APPLICABLE MUST REMAIN WITHIN DIMENSIONS  |           |
|                    |                                       | D-DRAWING   |      | SERIES  | 120086    |
|                    |                                       | MATERIAL NUMBER   |      | CUSTOMER  | SEE TABLE |
|                    |                                       | DOCUMENT NUMBER   |      | DOC TYPE  | PSD       |
|                    |                                       | DOC PART  |      | 001   |           |
|                    |                                       | REVISION  |      | B   |           |
|                    |                                       | SHEET NUMBER  |      | 1 OF 1  |           |



NANO-CHANGE CORDSET, M8  
3-5 POLE, MALE, STRAIGHT, 24 AWG

PRODUCT CUSTOMER DRAWING

SD-120086-132 PSD 001 B

GENERAL MARKET