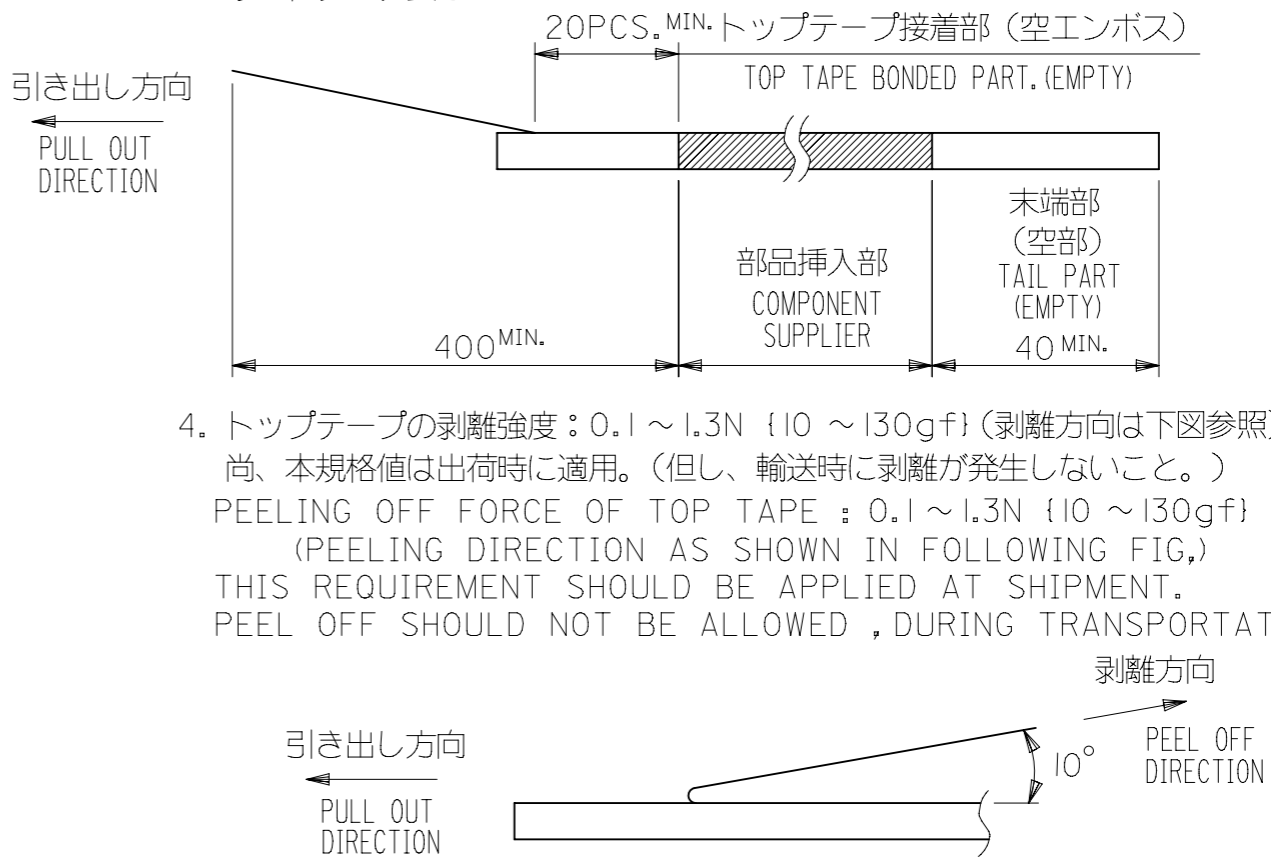


NOTES

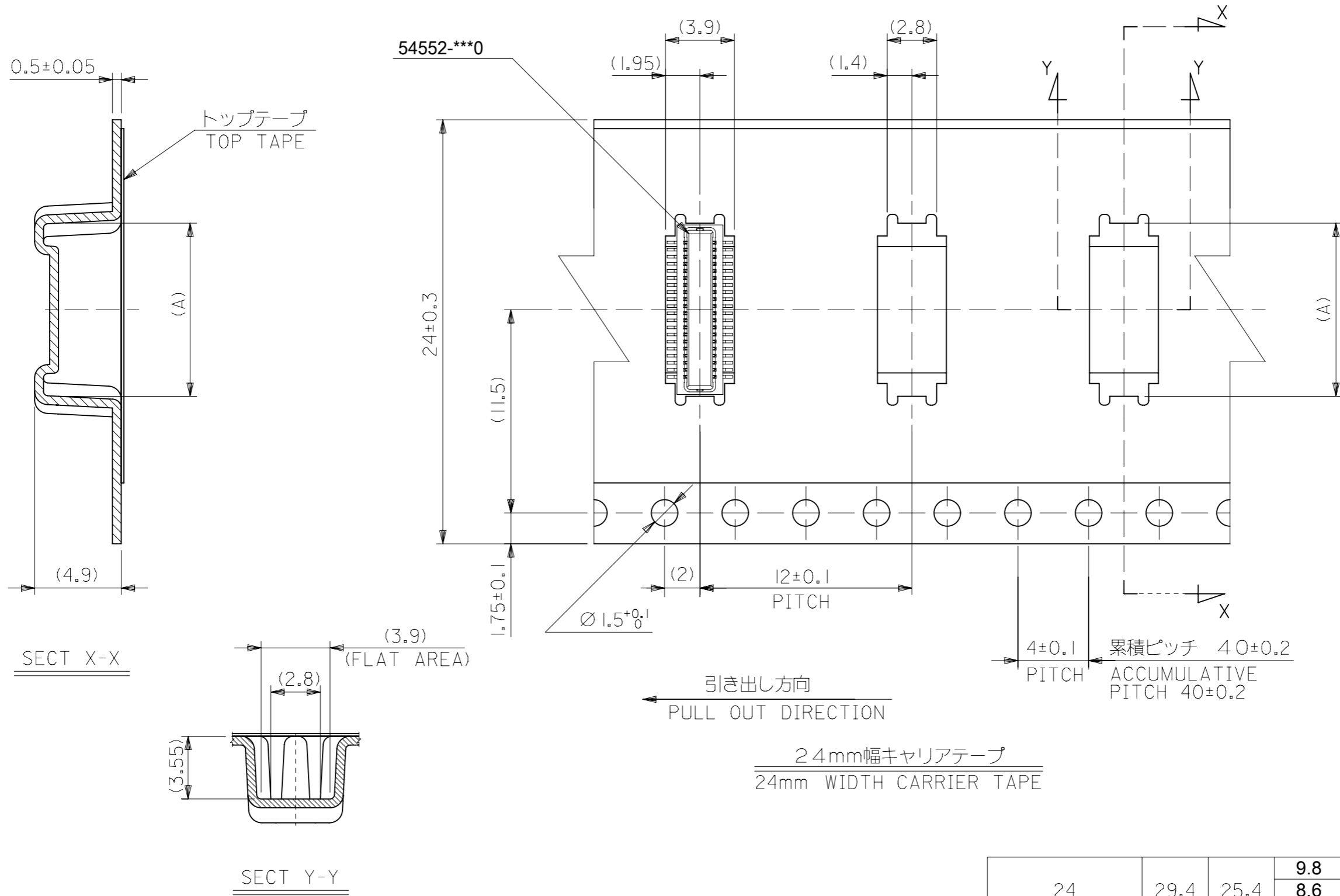
- 製品詳細寸法については SD-54552-023 を参照下さい。
RE DETAILED DIMENSION, SEE SD-54552-023.
- 梱包数量：1500個/リール
NUMBER OF CONNECTORS : 1500PCS/REEL
- リードテープ長さ LEAD TAPE LENGTH
20PCS. MIN. トップテープ接着部 (空エンボス)
TOP TAPE BONDED PART. (EMPTY)
部品挿入部
COMPONENT SUPPLIER
末端部 (空部)
TAIL PART (EMPTY)
40 MIN.
- トップテープの剥離強度：0.1～1.3N {10～130gf} (剥離方向は下図参照)
尚、本規格値は出荷時に適用。(但し、輸送時に剥離が発生しないこと。)
PEELING OFF FORCE OF TOP TAPE : 0.1～1.3N {10～130gf}
(PEELING DIRECTION AS SHOWN IN FOLLOWING FIG.)
THIS REQUIREMENT SHOULD BE APPLIED AT SHIPMENT.
PEEL OFF SHOULD NOT BE ALLOWED, DURING TRANSPORTATION.
- 材料(MATERIAL)
キャリアテープ(CARRIER TAPE)：ポリプロピレン(POLYPROPYLENE)
トップテープ(TOPTAPE)：PET, PE, PEF
リール(REEL)：ポリスチレン(PS) <リサイクル材を含む>
POLYSTYRENE (PS) <RECYCLE MATERIAL CONTAINED>
- ELV及びRoHS適合品
ELV AND RoHS COMPLIANT



54552-0402	40
54552-0342	34
54552-0302	30
MATERIAL NO.	極数 CIRCUITS

MODEL NO. 54552-***2

GENERAL TOLERANCES (UNLESS SPECIFIED)		THIS DRAWING CONTAINS INFORMATION THAT IS PROPRIETARY TO MOLEX ELECTRONIC TECHNOLOGIES, LLC AND SHOULD NOT BE USED WITHOUT WRITTEN PERMISSION		<p>molex</p> <p>EMBSTP PKG FOR 0.4 B/B CONN RA REC HSG ASSY</p> <p>PRODUCT CUSTOMER DRAWING</p>				
10 UNDER	± 0.2	DIMENSION UNITS	SCALE			CURRENT REV DESC: OBSOLETE PART NUMBER PER PCN#5606874		
10 OVER 30 UNDER	± 0.25	mm	NTS	EC NO: 658578	<p>DRWN: VLOKESHA 2021/03/18</p> <p>CHK'D: GGA 2021/03/19</p> <p>APPR: GGA 2021/03/19</p>			
30 OVER	± 0.3	GENERAL TOLERANCES (UNLESS SPECIFIED)		INITIAL REVISION:				
ANGULAR	± 3°	ANGULAR TOL	± 30°	DRWN: N.AIDA 2005/02/03	DOCUMENT NUMBER	DOC TYPE	DOC PART	REVISION
DRAFT WHERE APPLICABLE MUST REMAIN WITHIN DIMENSIONS		4 PLACES	± 0.2	APPR: N.UKITA 2005/02/03	SD-54552-024	PSD	001	C2
		3 PLACES	± 0.25	THIRD ANGLE PROJECTION	MATERIAL NUMBER	CUSTOMER	SHEET NUMBER	
		2 PLACES	± 0.3	DRAWING	SEE TABLE	GENERAL MARKET	1 OF 2	
		1 PLACE	±	SERIES	A3-SIZE			
		0 PLACES	±		54552			



24mm幅キャリアテープ
24mm WIDTH CARRIER TAPE

24	29.4	25.4	9.8	54552-0402	40
			8.6	54552-0342	34
			7.8	54552-0302	30
キャリアテープ幅 CARRIER TAPE WIDTH	C	B	(A)	MATERIAL NO.	極数 CIRCUITS

MODEL NO. 54552-***2

GENERAL TOLERANCES (UNLESS SPECIFIED)	
10 UNDER	± 0.2
10 OVER 30 UNDER	± 0.25
30 OVER	± 0.3
ANGULAR	± 3°
DRAFT WHERE APPLICABLE MUST REMAIN WITHIN DIMENSIONS	

THIS DRAWING CONTAINS INFORMATION THAT IS PROPRIETARY TO MOLEX ELECTRONIC TECHNOLOGIES, LLC AND SHOULD NOT BE USED WITHOUT WRITTEN PERMISSION	
DIMENSION UNITS: mm	SCALE: NTS
GENERAL TOLERANCES (UNLESS SPECIFIED)	ANGULAR TOL ± 30°
4 PLACES ± 0.2	3 PLACES ± 0.25
2 PLACES ± 0.3	1 PLACE ±
0 PLACES ±	
DRAFT WHERE APPLICABLE MUST REMAIN WITHIN DIMENSIONS	THIRD ANGLE PROJECTION

molex

EMBSTP PKG FOR 0.4 B/B
CONN RA REC HSG ASSY

PRODUCT CUSTOMER DRAWING

DOCUMENT NUMBER: SD-54552-024
DOC TYPE: PSD
DOC PART: 001
REVISION: C2

MATERIAL NUMBER: SEE TABLE
CUSTOMER: GENERAL MARKET
SHEET NUMBER: 2 OF 2