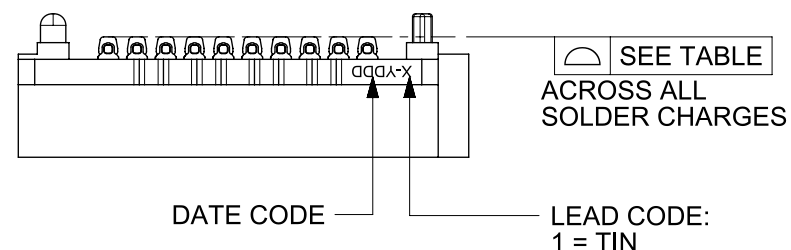


10 ROW  
10 POSITION  
SHOWN

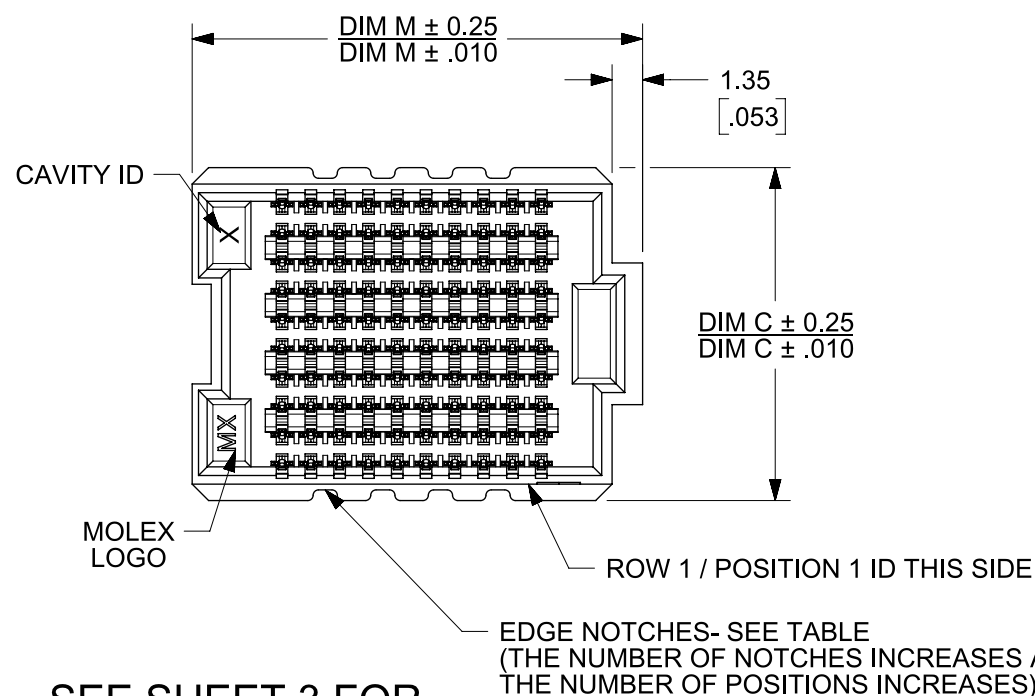
NOTES:

- MATERIALS: HOUSING: GLASS FILLED LCP (LIQUID CRYSTAL POLYMER), UL94V-0, BLACK  
CONTACTS: COPPER ALLOY  
SOLDER CHARGE: 95% TIN, 3.8% SILVER, 0.7% COPPER
- FINISH: SELECT GOLD IN CONTACT AREA: 30 MICROINCH MINIMUM  
SELECT TIN IN TAIL, 50 MICROINCH MINIMUM  
OVERALL NICKEL UNDERPLATE
- PRODUCT SPECIFICATION: PS-45970-001
- PACKAGING SPECIFICATION: PK-45971-002 (TAPE AND REEL)
- MATES WITH SEARAY PLUG ASSEMBLY SERIES 45970
- APPLICATION SPECIFICATION: AS-45970-001
- COSMETIC SPECIFICATION: PS-45499-002 CLASS B
- PART STATUS: CONTACT MOLEX

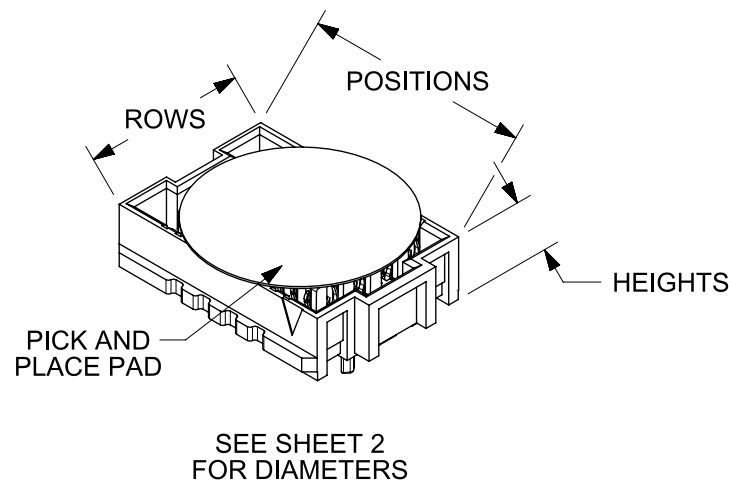
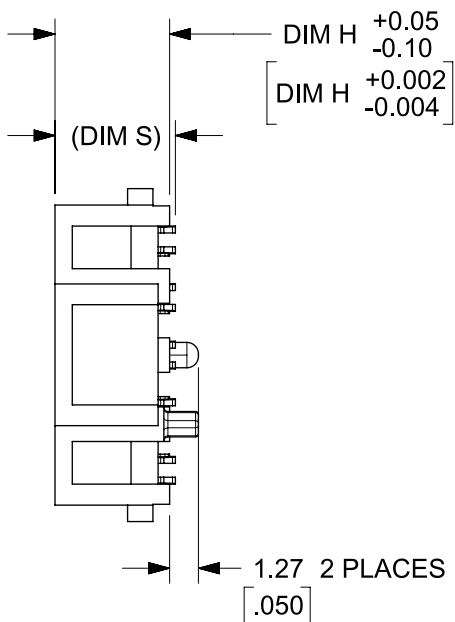


DATE CODE LEAD CODE:  
1 = TIN

NOTE: THESE CODES MAY BE LOCATED ON EITHER SIDE OF THE HOUSING



SEE SHEET 3 FOR  
8 ROW GEOMETRY &  
SEE SHEET 4 FOR  
6 ROW GEOMETRY

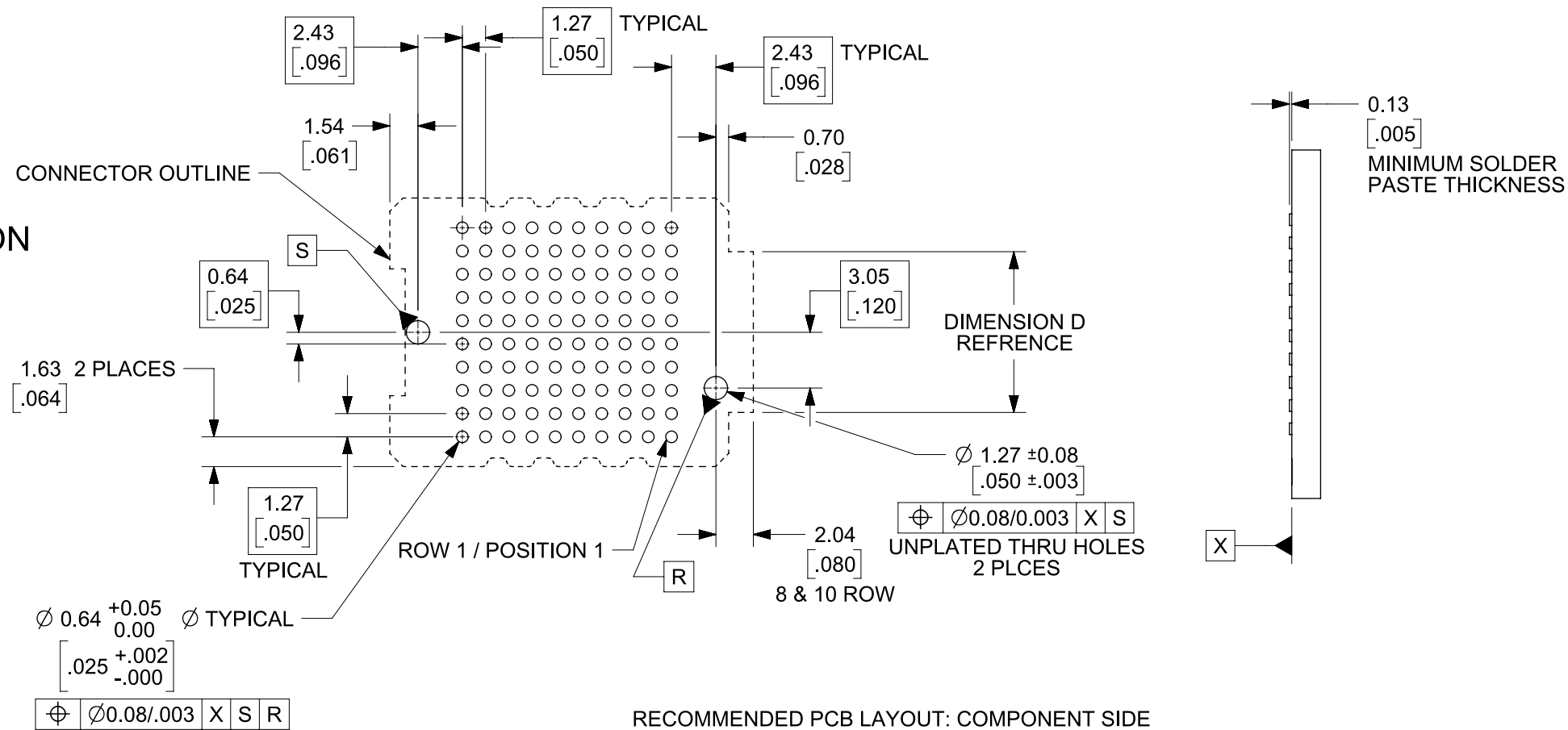


POSITIONS	TOTAL NUMBER OF EDGE NOTCHES	
10	8	0.15/.006
15	14	
20	18	
25	24	
30	28	
35	34	0.23/.009
40	38	
45	44	
50	48	

THIS DRAWING CONTAINS INFORMATION THAT IS PROPRIETARY TO MOLEX ELECTRONIC TECHNOLOGIES, LLC AND SHOULD NOT BE USED WITHOUT WRITTEN PERMISSION

DIMENSION UNITS: <b>MM/IN</b>	SCALE: <b>3:1</b>	CURRENT REV DESC: REVISED.		<b>molex</b>			
GENERAL TOLERANCES (UNLESS SPECIFIED)		EC NO: 644510					
ANGULAR TOL ± °		DRWN: HCGOH 2020/09/16		PRODUCT CUSTOMER DRAWING			
4 PLACES ±		CHK'D: JESSIECHUA 2020/09/17		DOCUMENT NUMBER: <b>SD-45971-001</b>			
3 PLACES ±		APPR: SHONG 2020/09/21		DOC TYPE: PSD DOC PART: 001 REVISION: Y3			
2 PLACES ± 0.25		INITIAL REVISION:		MATERIAL NUMBER: SEE TABLES SHT 5			
1 PLACE ± 0.38		DRWN: TGREGORI 2005/05/17		CUSTOMER: GENERAL MARKET			
0 PLACES ±		APPR: JCOMERCI 2010/03/05		SHEET NUMBER: 1 OF 5			
DRAFT WHERE APPLICABLE MUST REMAIN WITHIN DIMENSIONS	THIRD ANGLE PROJECTION	DRAWING: B-SIZE	SERIES: 45971				

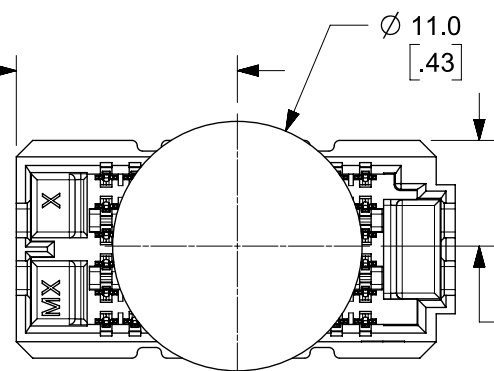
10 ROW  
10 POSITION  
SHOWN



NUMBER OF ROWS	DIMENSION D
6	SEE SHEET 4
8	SEE SHEET 3
10	6.24/.246

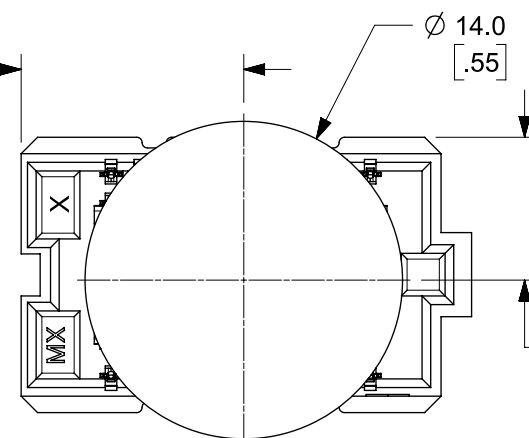
RECOMMENDED PCB LAYOUT: COMPONENT SIDE  
SOLDER SCREEN APERTURE SIZE: .890/.035 DIAMETER  
PCB THICKNESS: NA

DIM M/2 ±1.52  
DIM M/2 ±0.060  
PAD  
LOCATION



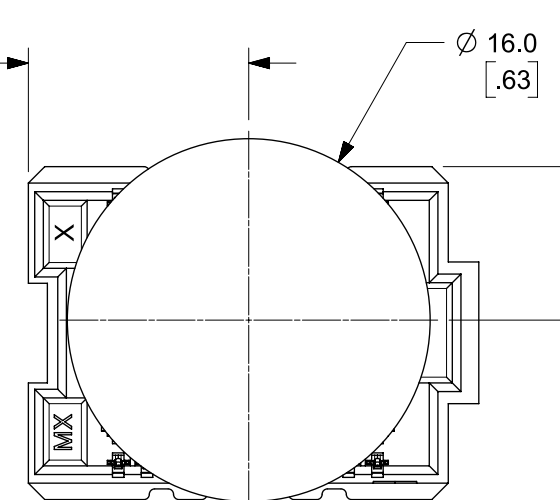
6 ROW OPTION

DIM M/2 ±1.52  
DIM M/2 ±0.060  
PAD  
LOCATION



8 ROW OPTION

DIM M/2 ±1.52  
DIM M/2 ±0.60  
PAD  
LOCATION



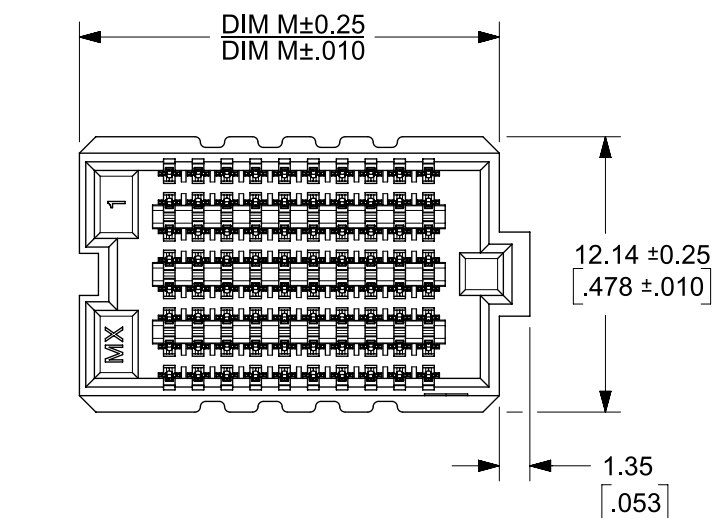
10 ROW OPTION

DIM C/2 ±1.52  
DIM C/2 ±0.060  
PAD  
LOCATION

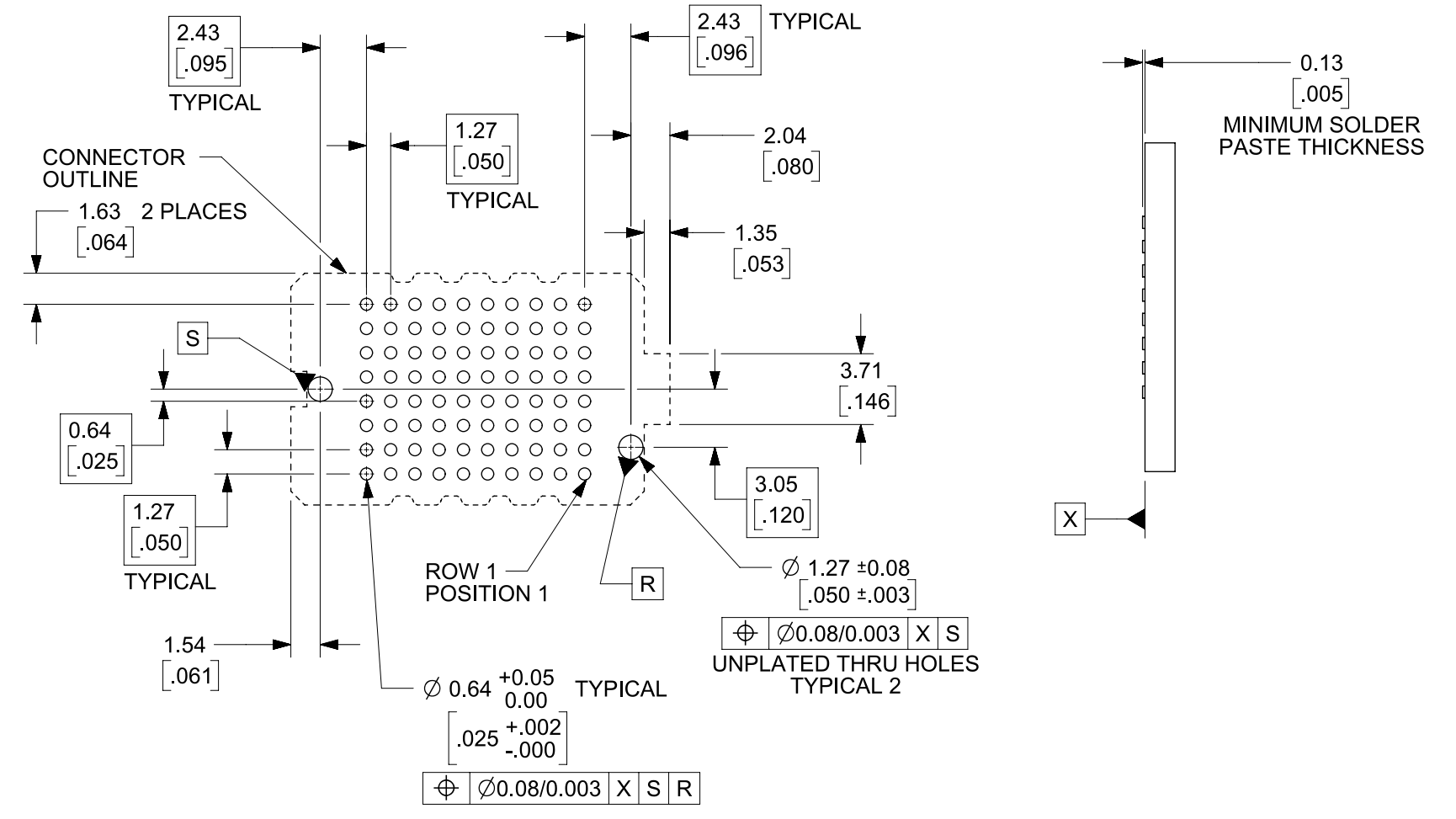
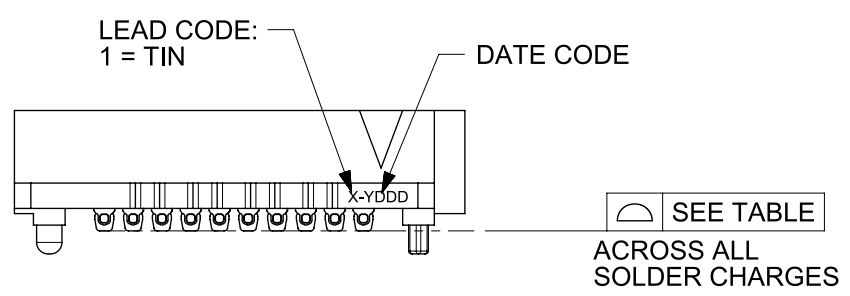
# PICK AND PLACE PAD DIAMETERS 10 POSITION VERSIONS SHOWN

THIS DRAWING CONTAINS INFORMATION THAT IS PROPRIETARY TO MOLEX ELECTRONIC TECHNOLOGIES, LLC AND SHOULD NOT BE USED WITHOUT WRITTEN PERMISSION

DIMENSION UNITS <b>MM/IN</b>	SCALE <b>3:1</b>	CURRENT REV DESC: REVISED.		<b>molex</b>		
GENERAL TOLERANCES (UNLESS SPECIFIED)		EC NO: 644510				
ANGULAR TOL ± °		DRWN: HCGOH	2020/09/16	PRODUCT CUSTOMER DRAWING		
4 PLACES ±		CHK'D: JESSIECHUA	2020/09/17	DOCUMENT NUMBER		
3 PLACES ±		APPR: SHONG	2020/09/21	SD-45971-001		
2 PLACES ± 0.25		INITIAL REVISION:		DOC TYPE	DOC PART	REVISION
1 PLACE ± 0.38		DRWN: TGREGORI	2005/05/17	PSD	001	Y3
0 PLACES ±		APPR: JCOMERCI	2010/03/05	SHEET NUMBER		
DRAFT WHERE APPLICABLE MUST REMAIN WITHIN DIMENSIONS	THIRD ANGLE PROJECTION	DRAWING	SERIES	MATERIAL NUMBER	CUSTOMER	
		B-SIZE	45971	SEE TABLES SHT 5	GENERAL MARKET	2 OF 5

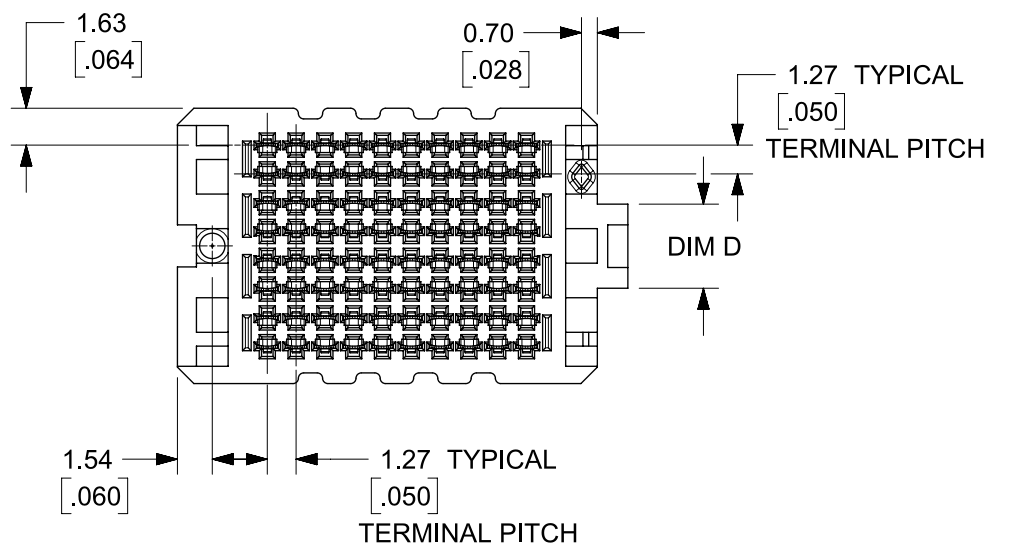
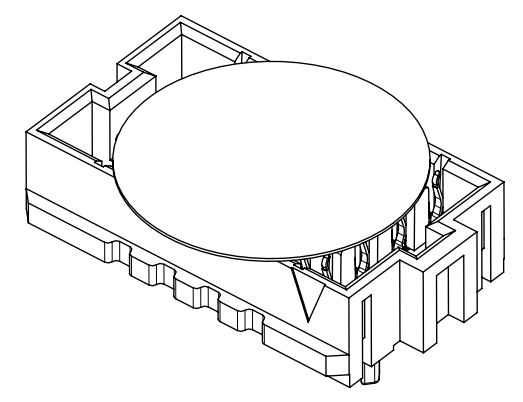


NOTE: THESE CODES MAY BE LOCATED ON EITHER SIDE OF THE HOUSING



RECOMMENDED PCB LAYOUT: COMPONENT SIDE  
 SOLDER SCREEN APERTURE SIZE: 0.089/0.035 DIAMETER  
 PCB THICKNESS: N/A

8 ROW 10 POSITION SHOWN

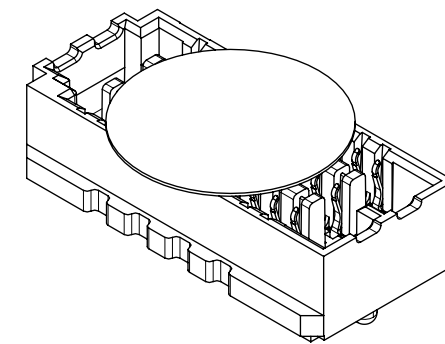
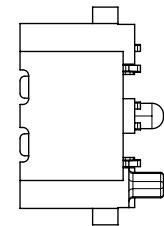
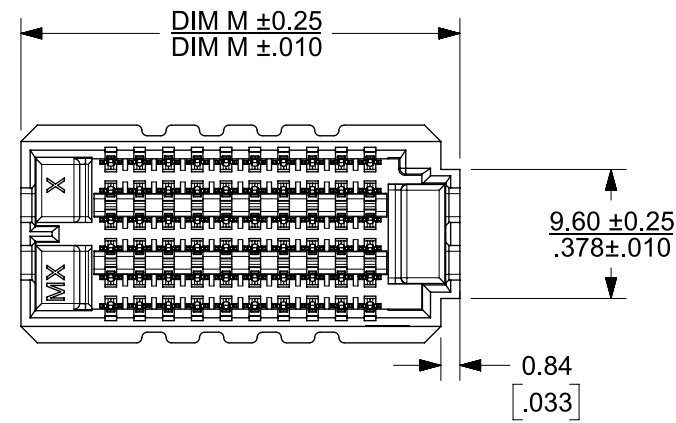
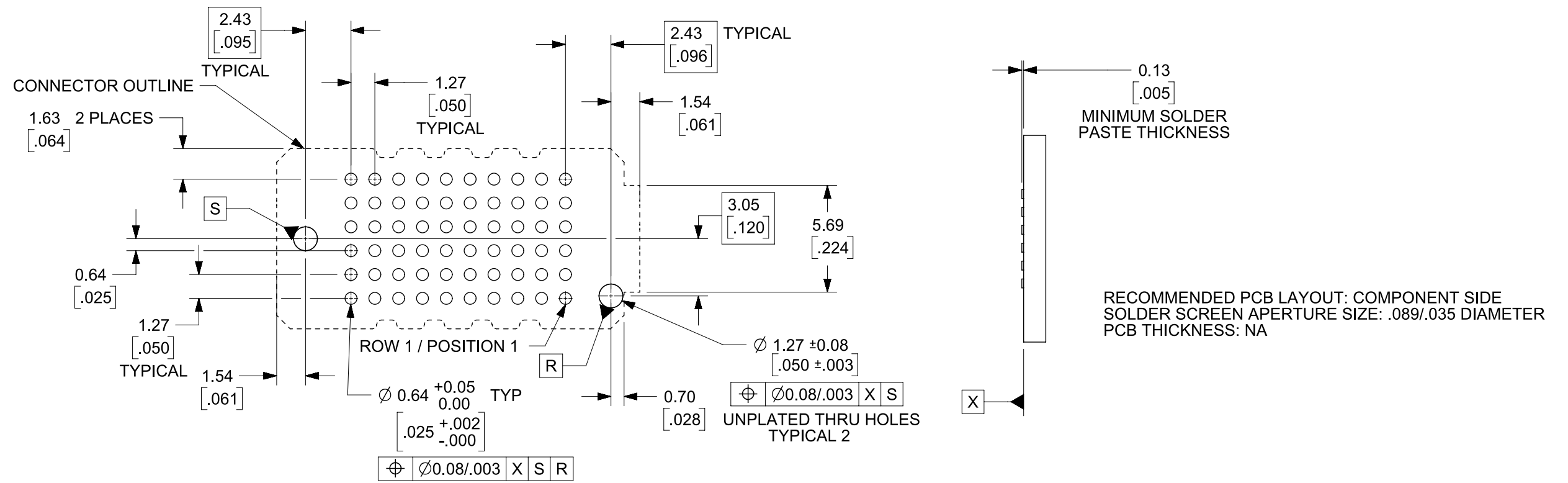


SEE SHEET 4 FOR 6 ROW GEOMETRY

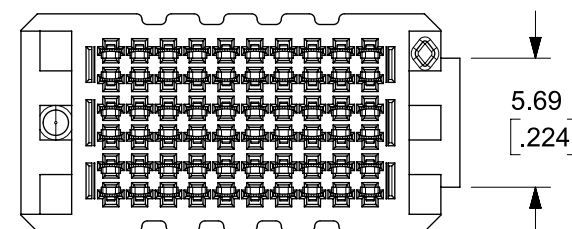
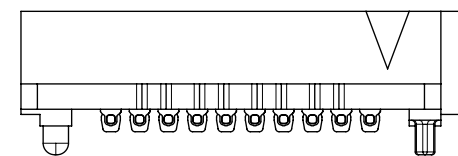
THIS DRAWING CONTAINS INFORMATION THAT IS PROPRIETARY TO MOLEX ELECTRONIC TECHNOLOGIES, LLC AND SHOULD NOT BE USED WITHOUT WRITTEN PERMISSION															
DIMENSION UNITS		SCALE		CURRENT REV DESC: REVISED.								<b>SEARAY</b> RECEPTACLE ASSEMBLY 1.27/.050 CENTERS			
MM/IN		3:1													
GENERAL TOLERANCES (UNLESS SPECIFIED)				EC NO: 644510		2020/09/16		DOCUMENT NUMBER		DOC TYPE		DOC PART		REVISION	
ANGULAR TOL ± °				DRWN: HCGOH		2020/09/17		SD-45971-001		PSD		001		Y3	
4 PLACES ±				CHK'D: JESSIECHUA		2020/09/17		MATERIAL NUMBER		CUSTOMER		SHEET NUMBER			
3 PLACES ±				APPR: SHONG		2020/09/21		SEE TABLES SHT 5		GENERAL MARKET		3 OF 5			
2 PLACES ± 0.25				INITIAL REVISION:											
1 PLACE ± 0.38				DRWN: TGREGORI		2005/05/17									
0 PLACES ±				APPR: JCOMERCI		2010/03/05									
DRAFT WHERE APPLICABLE MUST REMAIN WITHIN DIMENSIONS				THIRD ANGLE PROJECTION		DRAWING		SERIES		MATERIAL NUMBER		CUSTOMER		SHEET NUMBER	
						B-SIZE		45971		SEE TABLES SHT 5		GENERAL MARKET		3 OF 5	

DOCUMENT STATUS	P1	RELEASE DATE	2020/09/21	09:22:38
-----------------	----	--------------	------------	----------

6 ROW  
10 POSITION



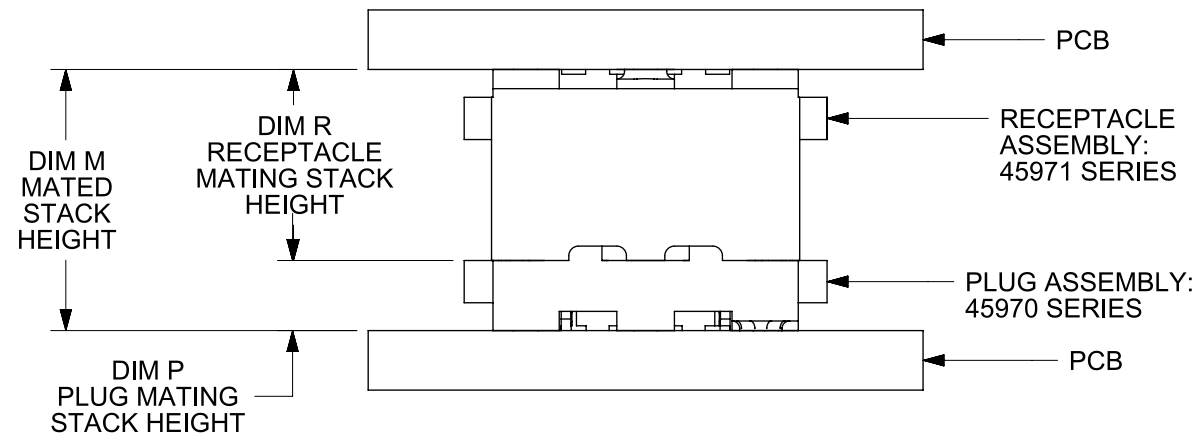
6 ROW  
10 POSITION  
SHOWN



THIS DRAWING CONTAINS INFORMATION THAT IS PROPRIETARY TO MOLEX ELECTRONIC TECHNOLOGIES, LLC AND SHOULD NOT BE USED WITHOUT WRITTEN PERMISSION									
DIMENSION UNITS	SCALE	CURRENT REV DESC: REVISED.							
MM/IN	3:1								
GENERAL TOLERANCES (UNLESS SPECIFIED)									
ANGULAR TOL	$\pm$ °	EC NO: 644510	SEARAY						
4 PLACES	$\pm$	DRWN: HCGOH	RECEPTACLE ASSEMBLY 1.27/.050 CENTERS						
3 PLACES	$\pm$	CHK'D: JESSIECHUA	PRODUCT CUSTOMER DRAWING						
2 PLACES	$\pm 0.25$	APPR: SHONG	DOCUMENT NUMBER						
1 PLACE	$\pm 0.38$	INITIAL REVISION:	SD-45971-001				DOC TYPE	DOC PART	REVISION
0 PLACES	$\pm$	DRWN: TGREGORI	PSD				001	Y3	
DRAFT WHERE APPLICABLE MUST REMAIN WITHIN DIMENSIONS		APPR: JCOMERCI	THIRD ANGLE PROJECTION	DRAWING	SERIES	MATERIAL NUMBER	CUSTOMER	SHEET NUMBER	
				B-SIZE	45971	SEE TABLES SHT 5	GENERAL MARKET	4 OF 5	

ROWS: 6 DIMENSION C = 9.60/.378 DIMENSION D = 5.69/.224						
DIM R: (REF)		5.0 mm	6.0 mm	6.5 mm	7.5 mm	8.0 mm
DIM H:		5.05/.199	6.04/.238	6.66/.258	7.54/.297	8.05/.317
DIM S:		5.31/.209	6.30/.248	6.92/.272	7.80/.307	8.31/.327
POSITION	DIM M	MATERIAL NO	MATERIAL NO	MATERIAL NO	MATERIAL NO	MATERIAL NO
10	19.35/0.762	45971-1165	45971-1265	45971-1365	45971-1465	45971-1565
20	32.05/1.262	45971-2165	45971-2265	45971-2365	45971-2465	45971-2565
30	44.75/1.762	45971-3165	45971-3265	45971-3365	45971-3465	45971-3565
40	57.45/2.262	45971-4165	45971-4265	45971-4365	45971-4465	45971-4565
50	70.15/2.762	45971-5165	45971-5265	45971-5365	45971-5465	45971-5565
15	25.70/1.012	45971-6165	45971-6265	45971-6365	45971-6465	45971-6565
25	38.40/1.512	45971-7165	45971-7265	45971-7365	45971-7465	45971-7565
35	51.10/2.012	45971-8165	45971-8265	45971-8365	45971-8465	45971-8565
45	63.80/2.512	45971-9165	45971-9265	45971-9365	45971-9465	45971-9565

ROWS: 10 DIMENSION C = 14.68/.578 DIMENSION D = 6.24/.246						
DIM R: (REF)		5.0 mm	6.0 mm	6.5 mm	7.5 mm	8.0 mm
DIM H:		5.05/.199	6.04/.238	6.66/.258	7.54/.297	8.05/.317
DIM S:		5.31/.209	6.30/.248	6.92/.272	7.80/.307	8.31/.327
POSITION	DIM M	MATERIAL NO	MATERIAL NO	MATERIAL NO	MATERIAL NO	MATERIAL NO
10	19.88/0.784	45971-1115	45971-1215	45971-1315	45971-1415	45971-1515
20	32.58/1.284	45971-2115	45971-2215	45971-2315	45971-2415	45971-2515
30	45.28/1.784	45971-3115	45971-3215	45971-3315	45971-3415	45971-3515
40	57.98/2.284	45971-4115	45971-4215	45971-4315	45971-4415	45971-4515
50	70.68/2.784	45971-5115	45971-5215	45971-5315	45971-5415	45971-5515
15	26.23/1.034	45971-6115	45971-6215	45971-6315	45971-6415	45971-6515
25	38.93/1.534	45971-7115	45971-7215	45971-7315	45971-7415	45971-7515
35	51.63/2.034	45971-8115	45971-8215	45971-8315	45971-8415	45971-8515
45	64.33/2.534	45971-9115	45971-9215	45971-9315	45971-9415	45971-9515



**STACK HEIGHTS**  
GIVEN IN MILLIMETERS (mm) FOR REFERENCE ONLY

ROWS: 8 DIMENSION C = 12.14/.478 DIMENSION D = 3.70/.146						
DIM R: (REF)		5.0 mm	6.0 mm	6.5 mm	7.5 mm	8.0 mm
DIM H:		5.05/.199	6.04/.238	6.66/.258	7.54/.297	8.05/.317
DIM S:		5.31/.209	6.30/.248	6.92/.272	7.80/.307	8.31/.327
POSITION	DIM M	MATERIAL NO	MATERIAL NO	MATERIAL NO	MATERIAL NO	MATERIAL NO
10	19.88/0.784	45971-1185	45971-1285	45971-1385	45971-1485	45971-1585
20	32.58/1.284	45971-2185	45971-2285	45971-2385	45971-2485	45971-2585
30	45.28/1.784	45971-3185	45971-3285	45971-3385	45971-3485	45971-3585
40	57.98/2.284	45971-4185	45971-4285	45971-4385	45971-4485	45971-4585
50	70.68/2.784	45971-5185	45971-5285	45971-5385	45971-5485	45971-5585
15	26.23/1.034	45971-6185	45971-6285	45971-6385	45971-6485	45971-6585
25	38.93/1.534	45971-7185	45971-7285	45971-7385	45971-7485	45971-7585
35	51.63/2.034	45971-8185	45971-8285	45971-8385	45971-8485	45971-8585
45	64.33/2.534	45971-9185	45971-9285	45971-9385	45971-9485	45971-9585

**MATING STACK HEIGHTS (DIMENSION R)**  
GIVEN IN MILLIMETERS (mm) FOR REFERENCE ONLY

		DIM R RECEPTACLE STACK HEIGHT									
		5.0		6.0		6.5		7.5		8.0	
DIM P PLUG STACK HEIGHT	mm	DIM M FULLY MATED	DIM M MAX	DIM M FULLY MATED	DIM M MAX	DIM M FULLY MATED	DIM M MAX	DIM M FULLY MATED	DIM M MAX	DIM M FULLY MATED	DIM M MAX
	2.0	7.00	7.74	8.00	8.74	8.50	9.24	9.50	10.24	10.00	10.74
3.0	8.00	8.74	9.00	9.74	9.50	10.24	10.50	11.24	11.00	11.74	
3.5	8.50	9.24	9.50	10.24	10.00	10.74	11.00	11.74	11.50	12.24	
2.5	7.50	8.24	8.50	9.24	9.00	9.74	10.00	10.74	10.50	11.24	
4.5	9.50	10.24	10.50	11.24	11.00	11.74	12.00	12.74	12.50	13.24	
5.0	10.00	10.74	11.00	11.74	11.50	12.24	12.50	13.24	13.00	13.74	
7.0	12.00	12.74	13.00	13.74	13.50	14.24	14.50	15.24	15.00	15.74	

**MATED STACK HEIGHTS**  
GIVEN IN MILLIMETERS (mm) FOR REFERENCE ONLY

THIS DRAWING CONTAINS INFORMATION THAT IS PROPRIETARY TO MOLEX ELECTRONIC TECHNOLOGIES, LLC AND SHOULD NOT BE USED WITHOUT WRITTEN PERMISSION											
DIMENSION UNITS		SCALE		CURRENT REV DESC: REVISED.						<b>molex</b>	
MM/IN		3:1									
GENERAL TOLERANCES (UNLESS SPECIFIED)				EC NO: 644510		2020/09/16		SEARAY RECEPTACLE ASSEMBLY 1.27/.050 CENTERS			
ANGULAR TOL ± °				DRWN: HCGOH		2020/09/17					
4 PLACES ±				CHK'D: JESSIECHUA		2020/09/21		PRODUCT CUSTOMER DRAWING			
3 PLACES ±				APPR: SHONG							
2 PLACES ± 0.25				INITIAL REVISION:				DOCUMENT NUMBER <b>SD-45971-001</b>			
1 PLACE ± 0.38				DRWN: TREGORI		2005/05/17					
0 PLACES ±				APPR: JCOMERCI		2010/03/05		PSD		001	
DRAFT WHERE APPLICABLE MUST REMAIN WITHIN DIMENSIONS				THIRD ANGLE PROJECTION		DRAWING		SERIES		REVISION	
				B-SIZE		45971		SEE TABLES SHT 5		GENERAL MARKET	
								5 OF 5			