

■ Features

- Single output from 36W
- 100-240Vac Universal Input
- Certificates: UL, CE
- Frequency: 50-60Hz
- Ripple: 150mV
- SCP & OCP
- Input Plug: US
- Efficiency Level: VI
- Dimension: 82.7x45.3x37mm(exclude plug)



■ Application

- Consumer electronics, Telecom and office equipment
- Industrial equipment

*Product images are for illustrative purposes only and may vary from actual design.

■ Model List

Custom Designs Available!

| Model | Output Voltage | Output Current | Power | Certifications |
|-----------------|----------------|----------------|-------|----------------|
| WM036Q-050-X-XX | 5V | 7.2A | 36W | UL, CE |
| WM036Q-060-X-XX | 6V | 6A | 36W | UL, CE |
| WM036Q-070-X-XX | 7V | 5.14A | 36W | UL, CE |
| WM036Q-090-X-XX | 9V | 4A | 36W | UL, CE |
| WM036Q-120-X-XX | 12V | 3A | 36W | UL, CE |
| WM036Q-150-X-XX | 15V | 2.4A | 36W | UL, CE |
| WM036Q-180-X-XX | 18V | 2A | 36W | UL, CE |
| WM036Q-240-X-XX | 24V | 1.5A | 36W | UL, CE |

■ Technical Data

| | |
|--------------------|-----------------------------|
| Input Voltage | 100-240Vac |
| Input Frequency | 50/60Hz |
| Input Current | 1A max |
| Inrush Current | 25°C cold start at 240Vac |
| Leakage Current | 0.25mA Max. at 240Vac input |
| Line Regulation | ±2% |
| Load Regulation | ±5% |
| Ripple and Noise | 150mVp-p |
| Turn on delay time | 3s |
| Rise time | 40mS |
| Hold up time | 5mS |

Technical Sales / Customer Service: +1-818-338-7788 • Email: sales@autec.com
 31328 Via Colinas Suite 102 • Westlake Village, CA 91362 USA • www.autec.com

April 19, 2019

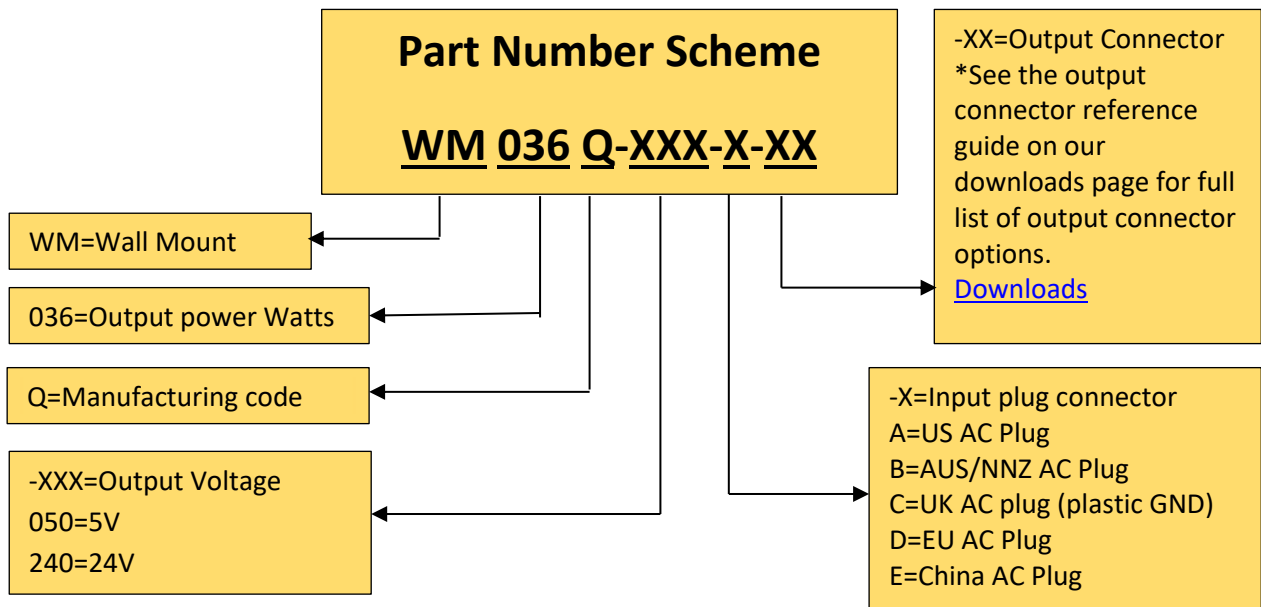
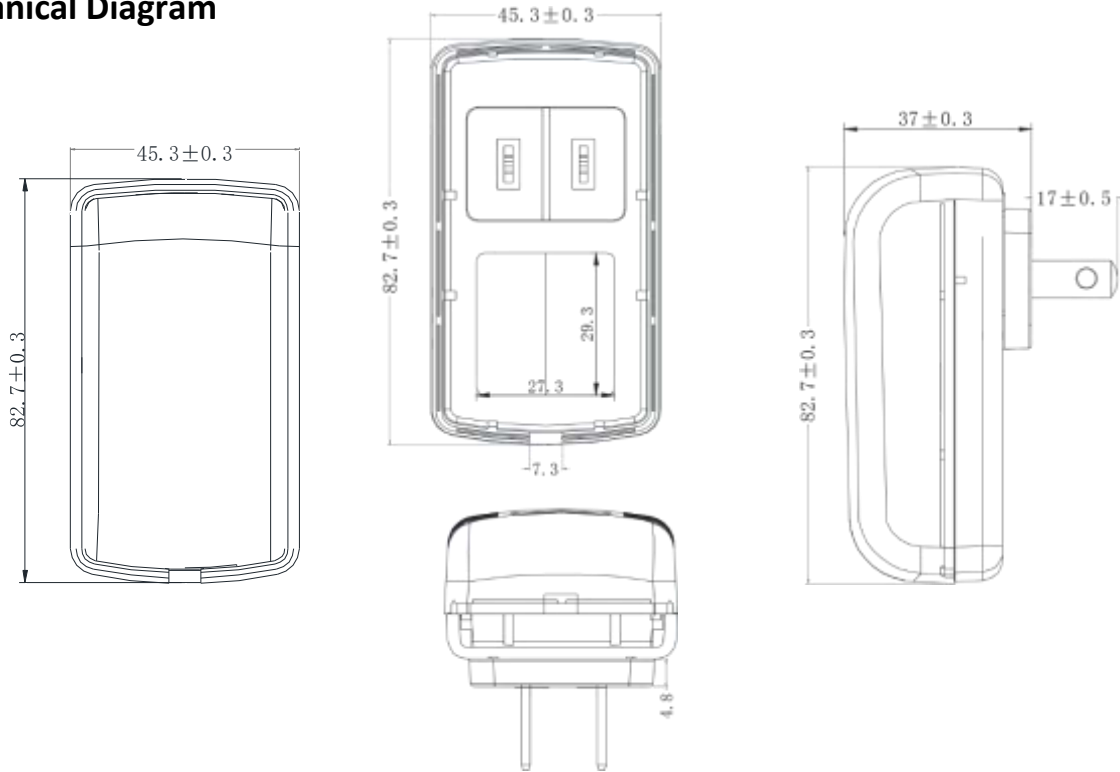
■ **Technical Data(cont.)**

| | |
|--------------------------|---|
| Efficiency | 87%; Level VI |
| Overshoot | 15% Max, when power supply is turned of/on |
| Standby Power | 0.1W Max at 115Vac |
| Short Circuit Protection | Auto recovery when short circuit fault is removed |
| Over Current Protection | Auto recovery when over current fault is removed |
| Operating Temperature | 0°C to 40°C, Full load |
| Storage Temperature | -20°C to 80°C |
| Relative Humidity | 5%(0°C) ~90%(40°C)RH, 72hrs, full load |
| Vibration | IEC 721-3-3 3M3 |
| Dimensions LxWxH | 60x39x34mm 2.36x1.5x1.3in |
| Packing | 96Pcs/ Carton; Carton size 490x340x310mm |

■ **Safety and EMI Standard**

| | |
|--|---|
| Safety | UL1310 |
| Dielectric Strength Hi-Pot Primary to secondary | 4242Vdc/5mA/60S |
| Insulation resistance Primary to secondary | 20MΩ min at 500V |
| EMI Standard | FCC part15 class B rules, EN55032 class B Rules, GB17625.1-2012; AS/NZS CISPR32:2015, IEC61000-4-5, IEC61000-4-2. |

■ Mechanical Diagram



*Product images are for illustrative purposes only and may vary from actual design.

*Specifications are subject to change without notice. Autec is not responsible for issues arising from errors or omissions.

Technical Sales / Customer Service: +1-818-338-7788 • Email: sales@autec.com

31328 Via Colinas Suite 102 • Westlake Village, CA 91362 USA • www.autec.com

April 19, 2019

3 / 3