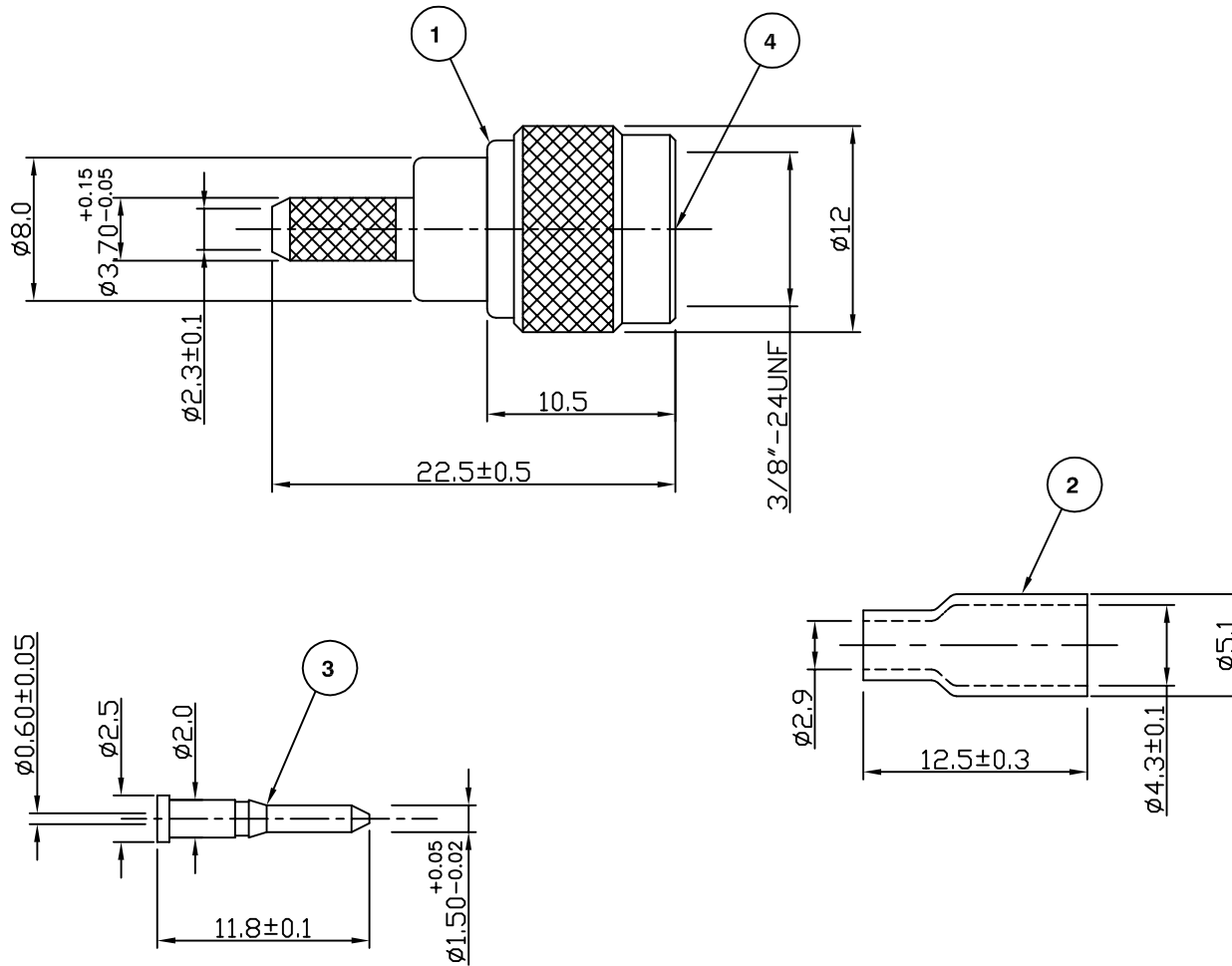


RoHS COMPLIANT



**Electrical Characteristics**

Nominal Impedance: 50 ohms  
 Frequency Range: DC to 2.5 GHz  
 VSWR: 1.25:1 maximum  
 Operating Voltage (rms): 335 V maximum at sea level

**Mechanical Characteristics**

Mating Cycles: 500 cycles minimum

**Environmental Characteristics**

Temperature Range: -55 °C to +85 °C

	PART	DESCRIPTION
1	Body	Brass, nickel plated
2	Ferrule	Brass, nickel plated
3	Contact	Brass, gold plated
4	Dielectric	POM

Dimension Change	LB	4	05 Aug 08
Dimension Change	MS	3	11 JULY 08
CAD Issue	SN	2	23 Aug 02
First Issue	CBB	1	23 Feb 00
DESCRIPTION OF REVISION	APPVD	ISS	DATE

For stripping and assembly instructions see Drawing Number: VAIU1101



Cinch Connectivity Solutions  
 7-13 Russell Way,  
 Widford Industrial Estate,  
 Chelmsford, Essex,  
 CM1 3AA, UK.  
 Tel: +44 (0) 1245 359515  
 Fax: +44 (0) 1245 358938

SCALE: Not To Scale

DIMENSIONS: mm

TOLERANCES:  
 ± 0.2mm unless  
 otherwise stated

DRAWN BY:

S Nash

CHECKED BY:

M Spooner

APPROVED BY:

M Spooner

DATE:

23 Aug 02

TITLE:

Mini UHF Crimp Plug for  
 RG174, RG316

PART NUMBER:

VMU10-2071

PAGE: 1 of 1