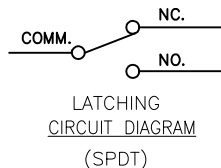
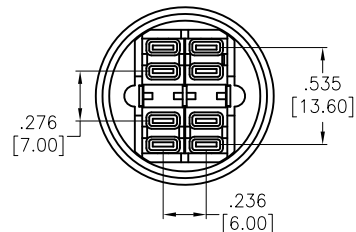
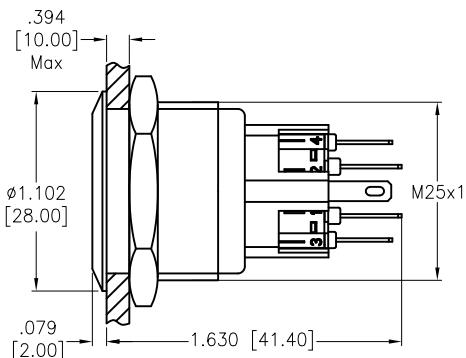
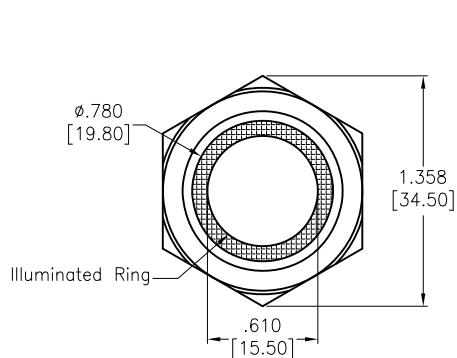


Rev	AWO #	Description	Date	Appr
-		RELEASED	11/2/21	

APPROVED: \_\_\_\_\_  
DATE: \_\_\_\_\_ TITLE: \_\_\_\_\_



SW-PB7-03LB5CFRXXXXX

"x"	LED Color	LED Voltage	
R	Red	2.8V	2.8V AC/DC
G	Green	6V	6V AC/DC
Y	Yellow	12V	12V AC/DC
O	Orange	24V	24V AC/DC
B	Blue	110V	110V AC/DC
W	White	220V	220V AC/DC

**SPECIFICATIONS:**

Material:  
Body: PA, Rated UL94V-0  
Bushing: Stainless Steel, Varnish polished  
Button: Stainless Steel, Varnish polished  
Contact Material: Silver Alloy, (2.8X0.5mm)  
Nut: Brass, Nickel plated  
Electrical:  
Contact resistance: 50 mΩ max.  
Insulation resistance: 1000M ohms min @ 500V DC.  
Dielectric withstanding voltage: 2000V RMS, 50Hz.  
Electrical Life: 50,000 cycles min at full load.  
Mechanical:  
Torque: 0.6Nm max.  
Temperature Rating:  
Operating temperature: -25°C to +55°C  
Environmental:  
Sealed IP65 Rated  
Lead free, RoHS compliant



UNLESS OTHERWISE SPECIFIED ALL DIMENSIONS ARE INCHES [MM]. TOLERANCES: EXCEPT AS NOTED		
INCHES	HOLES	
.X ± .10	ØX	± .10
.XX ± .020	ØXX	± .015
.XXX ± .015	ØXXX	± .010



909 Rahway Avenue,  
Union, NJ 07083  
Phone: 908-687-5000  
Fax: 908-687-5710

DRAWN	JJ	11/2/21
CHECKED	RC	11/2/21
APPROVED		

TITLE SWITCH, ANTI-VANDAL, PUSH BUTTON, 25mm, LIGHTED RING, SPDT, LATCHING, N.O.-N.C.

THIS DRAWING CONTAINS INFORMATION THAT IS PROPRIETARY AND SHOULD NOT BE USED WITHOUT PRIOR WRITTEN PERMISSION FROM ADAM TECH

SIZE X	PART NO. SW-PB7-03LB5CFRXXXXX	REV. -
REF: S00198T	SCALE: NTS	SHEET 1 OF 1