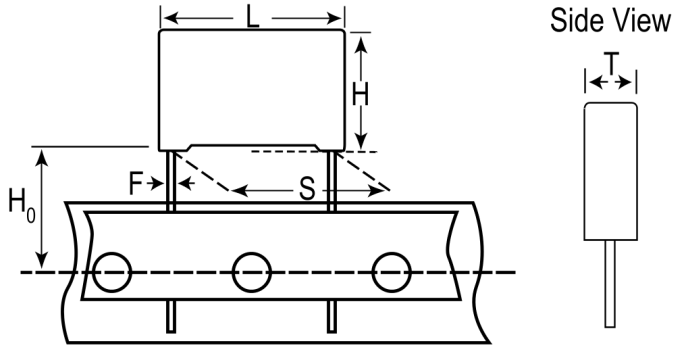


R60MN3330CK30J

Aliases (60MN3330CK30J)

R60, Film, Metallized Polyester, Automotive Grade, 0.33 uF, 5%, 400 VDC, 85°C, Lead Spacing = 22.5mm



Click [here](#) for the 3D model.

Dimensions

L	26.5mm +0.3mm
H	15mm +0.1mm
T	6mm +0.2mm
S	22.5mm +/-0.4mm
H0	18.5mm +/-0.5mm
F	0.8mm +/-0.05mm

Packaging Specifications

Packaging	T&R, 500mm
Packaging Quantity	700

General Information

Series	R60
Dielectric	Metallized Polyester
Style	Radial
Features	Automotive Grade, DC Multipurpose Applications
RoHS	Yes
Lead	Wire Leads
Qualifications	AEC-Q200
AEC-Q200	Yes
Component Weight	3.22 g
Miscellaneous	Upper Operating Temperature Of 125C Is Allowed For A Maximum Operating Time Of 1,000 Hours. Above 85C, DC And AC Voltage Derating Is 1.25%/C.

Specifications

Capacitance	0.33 uF
Capacitance Tolerance	5%
Voltage AC	200 VAC
Voltage DC	400 VDC
Temperature Range	-55/+105°C
Rated Temperature	85°C
Dissipation Factor	1% 1kHz
Insulation Resistance	30 GOhms
Max dV/dt	10 V/us
Inductance	18 nH