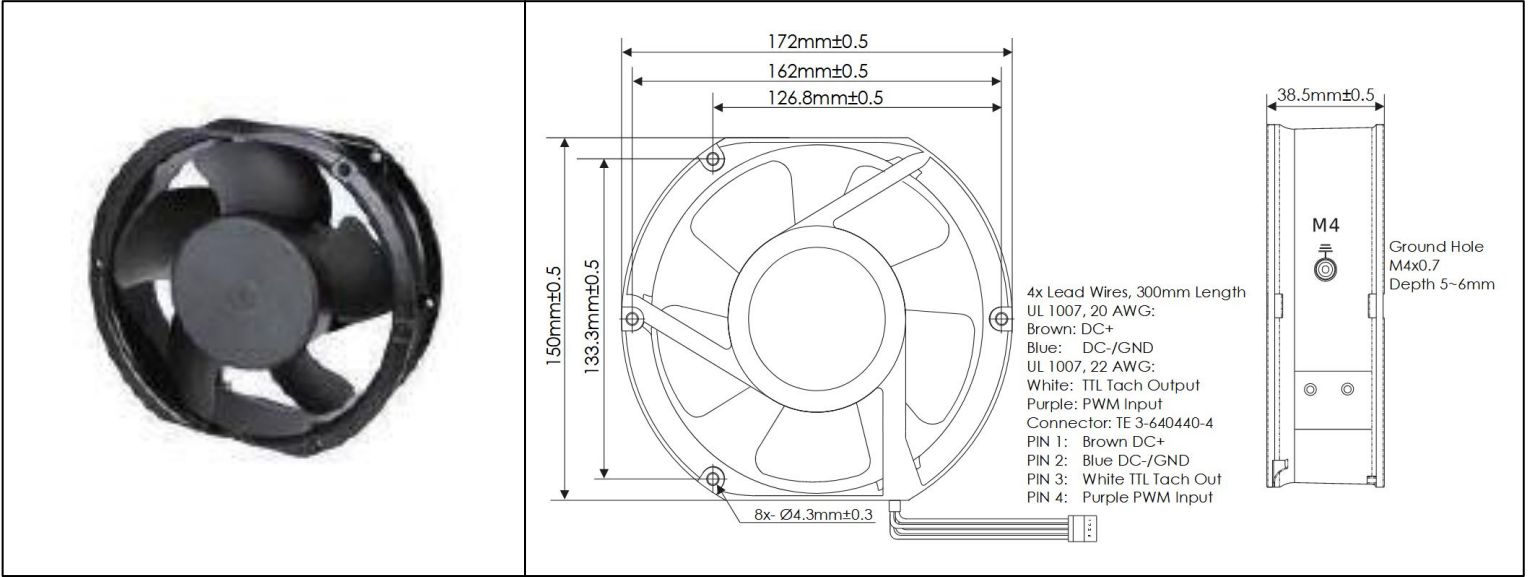


174441BK0 (OD172SAPL-48HB1021)

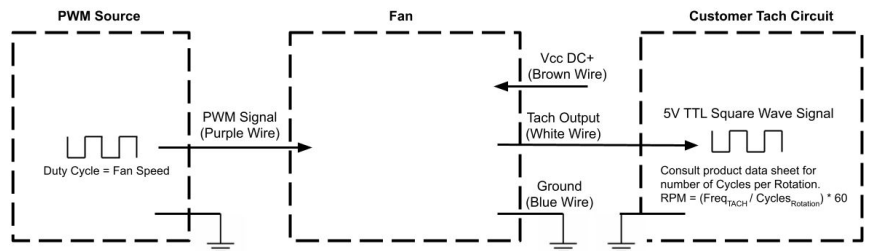


DC Fan - 48V
172 x 150 x 38mm (6.7" x 5.9" x 1.5")



Frame	Die Cast Aluminum, Black Finish	Operating Temperature -20°C ~ +65°C	<p>Static Pressure ("H₂O")</p> <p>Airflow (CFM)</p>
Impeller	PBT, UL94 V-0 Plastic	Storage Temperature -20°C ~ +75°C	
Connection	4x Wire leads with Connector	Life Expectancy 80,000 Hours (L10 at 40°C)	
Motor	Brushless DC, Auto Cutoff, Auto Restart, Electronically Protected, Polarity Protected	Installed Options TTL Tachometer Output PWM Input TE 3-640440-4 Connector	
Bearing System	Ball Bearings	Weight: 1.7 lbs	
Dielectric Strength	500VDC/min, <1mA		
Insulation Resistance	≥10MΩ @ 500VDC		

Part Number	174441BK0 (OD172SAPL-48HB1021)
Rated Voltage (Volts DC)	48
Voltage Range (Volts DC)	28 ~ 52
Rated Wattage (Watts)	24
Rated Current (Amps)	0.48
Rated Speed (RPM)	3950
Max Airflow (CFM)	224.2
Noise Level (dBA)	55.3
Max Static Pressure (" H ₂ O)	0.73



Tach Output Voltage: 5V
Tach Cycles Per Rotation: 2
PWM Max Input Voltage: 5.5V
PWM Max Sink Current: 5mA
PWM Frequency Range: 1KHz ~ 100KHz
PWM Typical Frequency: 25KHz
PWM Minimum Duty Cycle for fan startup: 30%
RPM at 0% Duty Cycle: 0 RPM
RPM will be full speed if PWM input is disconnected.

Consult product data sheet for number of Cycles per Rotation.
RPM = (Freq_{TACH} / Cycles_{Rotation}) * 60