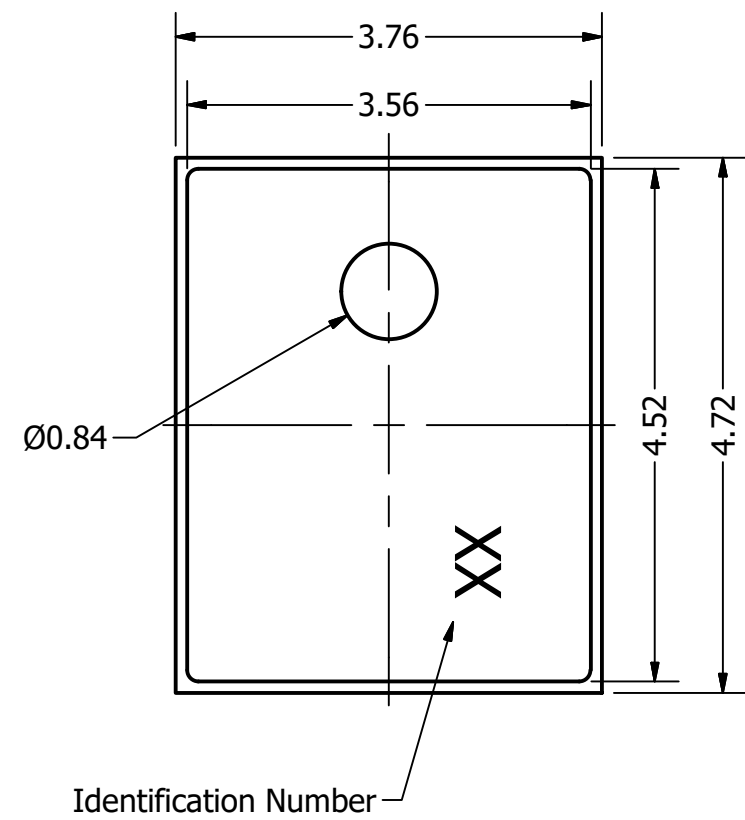
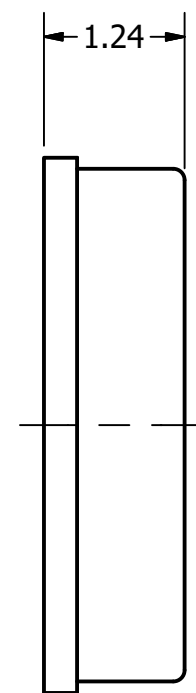


Part Number:	MM042602-4	
	DRAWN CJ	9/23/2016
Description:	Digital MEMS Microphone	
	CHECKED P.D	9/23/2016
	APPROVED J.S	9/23/2016
This document contains data proprietary to DB Unlimited. Any use or reproduction, in any form, without prior written permission of DB Unlimited is prohibited. All terms and conditions can be found at www.dbunlimitedco.com		

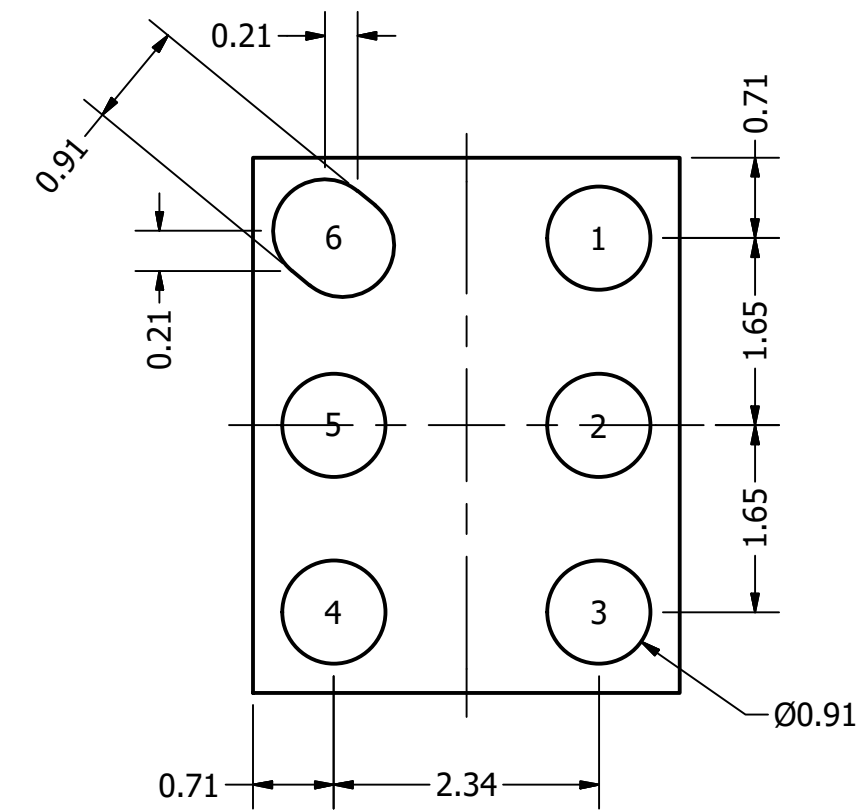
Top View



Side View



Bottom View



PIN 1	PIN 2	PIN 3	PIN 4	PIN 5	PIN 6
GND	LR SEL	GND	CLOCK	OUTPUT	VDD

Items	Specifications	Conditions	REVISION HISTORY			
			REV	DESCRIPTION	DATE	APPROVED
Directivity	Omnidirectional			Released from Engineering	9/23/2016	J.S.
Sensitivity	-26	dB		Added pin out	7/7/2017	C.E.
Frequency Range	100 ~ 7,000	Hz	1	Updated current, pin labels, voltage range, height	12/21/2017	C.E.
Rated Voltage	2.1	V	2			
Voltage Range	1.64 ~ 3.6	V				
Max. Rated Current	800	µA				
Storage Temperature	-40 ~ +125	°C				
Operating Temperature	-40 ~ +100	°C				
Signal to Noise Ratio	58	dBA				
Max. Rated Current (SLEEP mode)	50	µA				
Mount Type	Surface Mount					
Connection Method	Surface Mount Pads					
			NOTES			
			1) All dimensions are in mm unless otherwise noted			
			2) All tolerances are ± 0.15 mm unless otherwise noted			
			3) All parts meet RoHS			
			4) Subject to change or redrawn without notice			