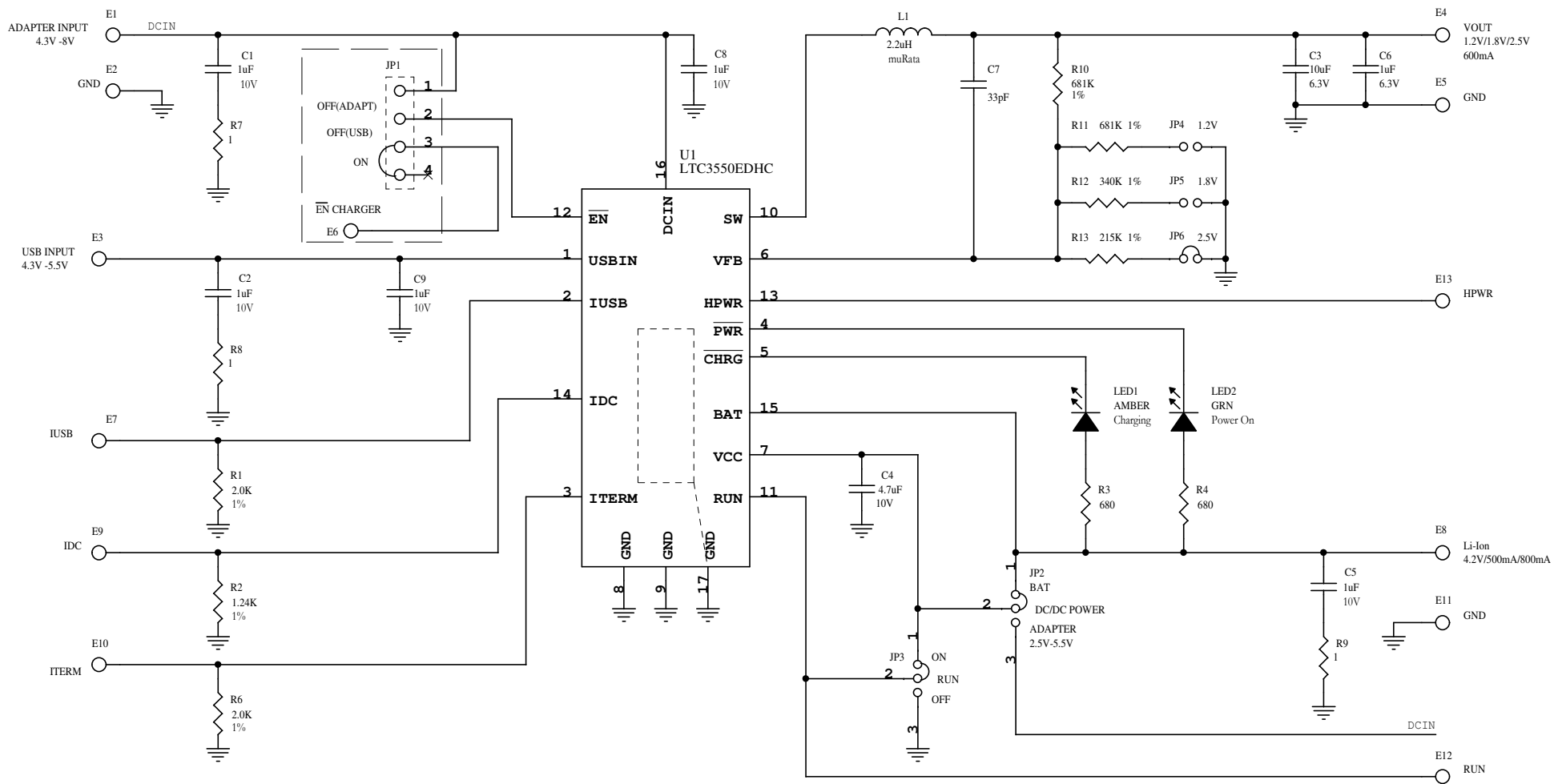


This circuit is proprietary to Linear Technology and supplied for use with Linear Technology parts.  
**Customer Notice:** Linear Technology has made a best effort to design a circuit that meets customer-supplied specifications; however, it remains the customers responsibility to verify proper and reliable operation in the actual application, Component substitution and printed circuit board layout may significantly affect circuit performance or reliability. Contact Linear Applications Engineering for assistance.

REVISION HISTORY				
ECO	REV	DESCRIPTION	DATE	APPROVED
	1	PROTO	09/22/05	



CONTRACT NO.	
APPROVALS	DATE
DRAWN MI	02/17/06
CHECKED	
APPROVED	
ENGINEER	
DESIGNER	
Friday, March 10, 2006	

**LINEAR TECHNOLOGY**  
 1630 McCarthy Blvd.  
 Milpitas, CA 95035  
 Phone: (408)432-1900  
 Fax: (408)434-0507

TITLE SCH, LTC3550EDHC, Li-Ion Charger with Synchronous Buck Converter			
SIZE	CAGE CODE	DWG NO	REV
		DC1068A	1
SCALE: NONE	FILENAME: 1068A-1.DSN	SHEET 1	OF 1