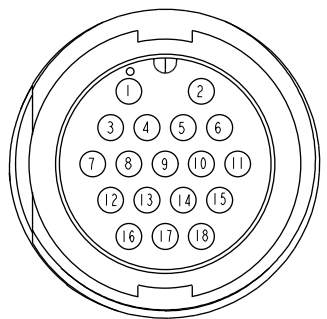
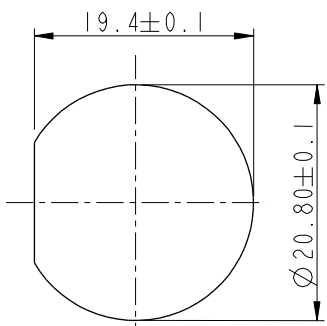


THIS DOCUMENT IS SUBJECT TO CHANGE WITHOUT NOTICE. IT IS CONFIDENTIAL AND A PROPERTY OF AMPHENOL LTW. DISCLOSURE TO THIRD PARTY HAS TO BE AUTHORIZED BY AMPHENOL LTW.

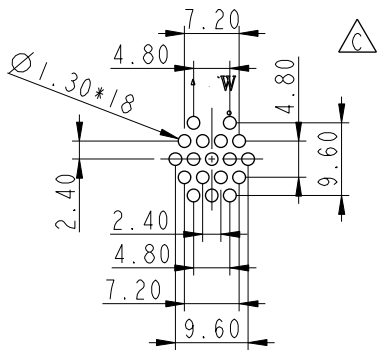
REV.	ECN NO.	DATE	SIGN	DESCRIPTION
C	LEN-030099	2010/03/18	Li Xiu Zhi	Change PCB Layout
D	LEN15A0329	2015/06/04	Jinhai	Change Logo
E	CI90310	2019/03/08	Ruru	Modify Note



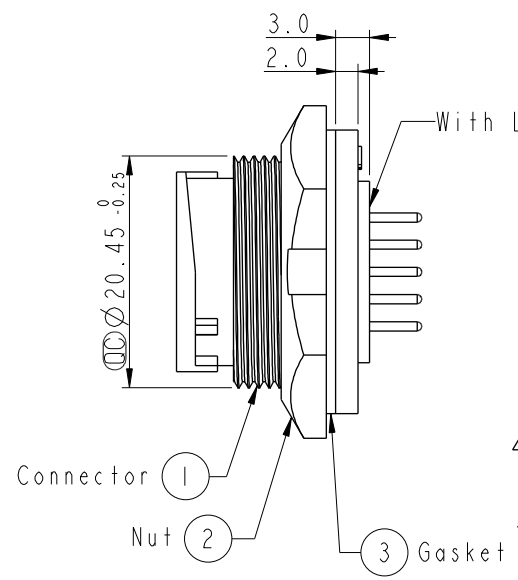
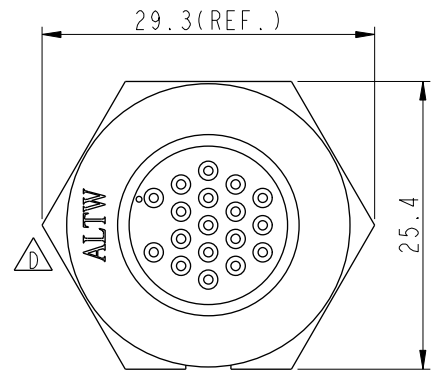
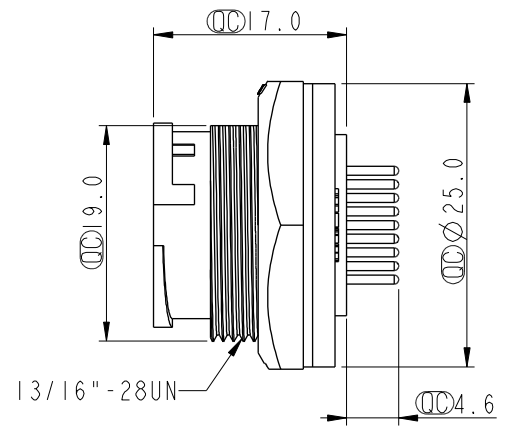
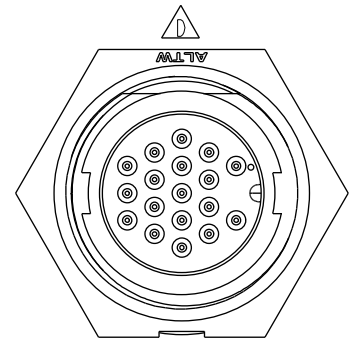
Pin Assignments  
Front View



Recommended  
Panel Cut-Out



18 Pin Male Connector  
Male Pin PCB Layout



With Liquid Glue

Note:  $\triangle$

- \*  $\varnothing$  Important Dimension To Check.
- \* Waterproof Rate: IP67, Unmated
- \* Housing: Thermoplastic, Black
- \* Pin: Copper Alloy, Gold Plated
- \* Nut: Thermoplastic, Black
- \* Gasket: Rubber, Black

- $\triangle B$  \* Use with waterproof cap or dust cap  
Panel Thickness Max: 3.0mm
- $\triangle B$  \* Use without waterproof cap or dust cap  
Panel Thickness Max: 4.0mm
- \* Gasket and Nut are packed separately in PE bags.

UNIT:mm	
TOLERANCE	
.X	±0.25
.XX	±0.1
.XXX	±0.05
ANGLES	±1°

TITLE Middle Panel Lock 18Pin M Conn M Pin			
SCALE 1:1	SIZE A4	SHEET 1 OF 1	
REV. E	WC-REV. A.3	$\varnothing$ : Inspection item	

**Amphenol LTW**  
安費諾亮泰企業股份有限公司

ITEM NO. CU-18PMMP-LC7001	DRAWN BY Ruru	DATE 2019-03-08
DWG NO. CU-18PMMP-LC7001	CHECKED BY Rita	DATE 2019-03-08
CUSTOMER ALTW	APPROVED BY Max	DATE 2019-03-08