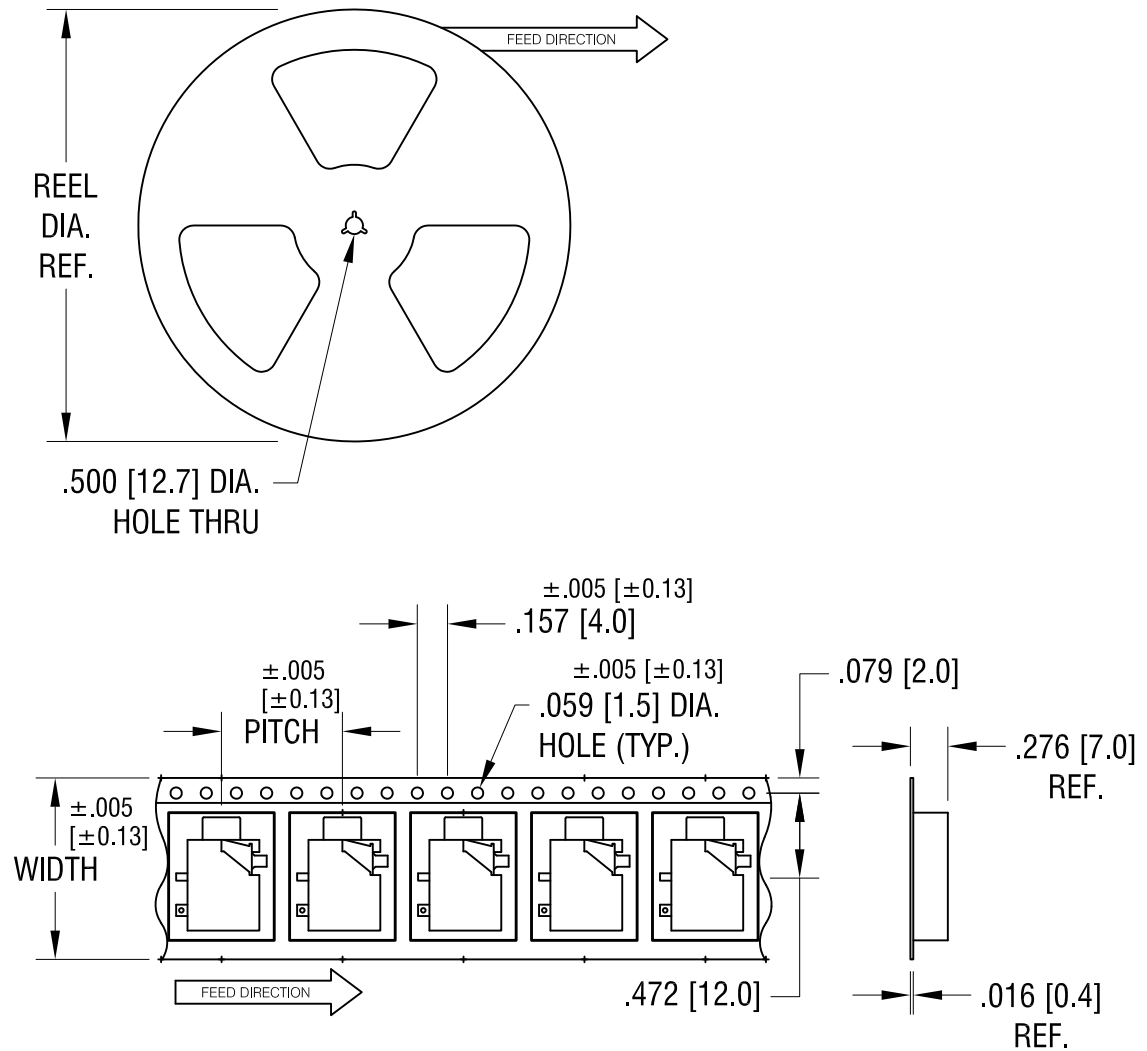


THIS DOCUMENT IS THE PROPERTY OF
KEYSTONE ELECTRONICS CORP. AND
SHALL NOT BE REPRODUCED, DISTRIBUTED
OR USED AS A BASIS FOR MANUFACTURE
WITHOUT PRIOR WRITTEN PERMISSION
FROM KEYSTONE ELECTRONICS CORP.



NOTES:

TAPE AND REEL SPECIFICATIONS:

1. TAPE:

MAT'L - ALL CONDUCTIVE POLYSTYRENE CARRIER
ANSI/EIA-481 STANDARD
.945 [24.0] WIDE; .630 [16.0] PITCH

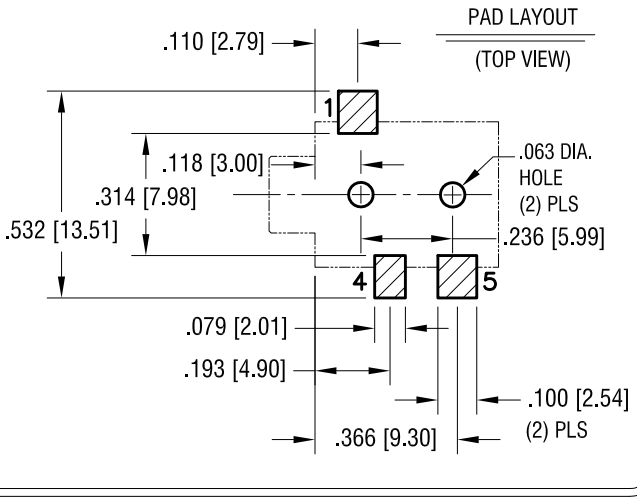
2. REEL:

15.0 [381.0] DIA. 800 PIECES OF
PART NO. 983 PER REEL.

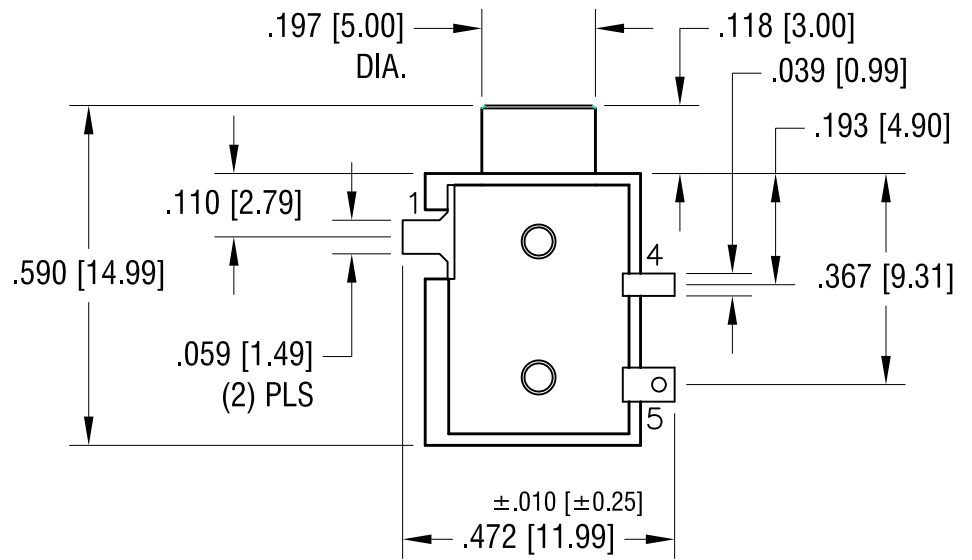
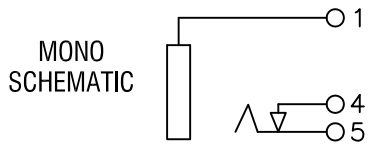
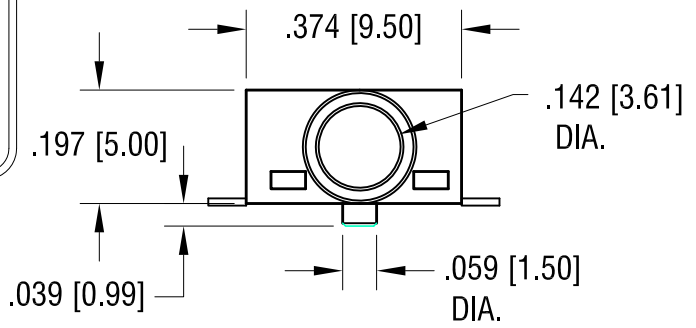
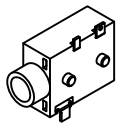
10.17.06	CHANGE AS PER ECN 06-066	A
DATE	DESCRIPTION	REV.

KEYSTONE ELECTRONICS CORP.			
www.keyelco.com • ASTORIA, N.Y. 11105-2017 • Tel (718) 956-8900			
PART NAME			
3.5mm SM MONO JACK ON TAPE			
MATERIAL			
AS NOTED			
FINISH		DRN BY	DATE
AS NOTED		BOONE	2.28.00
		APP'D	SCALE
		LN	X
TOLERANCES	INCH [MM]	CODE	DWG NO.
DECIMAL	± .015 [± 0.38]	C	983TR
ANGULAR	± 1°		
UNLESS OTHERWISE SPECIFIED			

THIS DOCUMENT IS THE PROPERTY OF KEYSTONE ELECTRONICS CORP. AND SHALL NOT BE REPRODUCED, DISTRIBUTED OR USED AS A BASIS FOR MANUFACTURE WITHOUT PRIOR WRITTEN PERMISSION FROM KEYSTONE ELECTRONICS CORP.



ACTUAL SIZE



NOTES:

1. MAT'L:
HOUSING: LCP, UL 94V-0
GROUND TERMINAL: .012 [0.3] TH'K BRASS ①
SPRING CONTACT: .008 [0.2] TH'K PHOSPHOR BRONZE ⑤
SHUNT TERMINAL: .012 [0.3] TH'K BRASS ④
2. TAPE SPECIFICATIONS:
MAT'L - ALL CONDUCTIVE POLYSTYRENE CARRIER
ANSI/EIA-481 STANDARD
24MM (.945) WIDE; 16MM (.630) PITCH
3. REEL SPECIFICATION:
15 INCH DIA. 800 PIECES

HOUSING WAS POLYAMIDE
CHANGE AS PER ECN 13-041

5.20.13		A
DATE	DESCRIPTION	REV.

KEYSTONE ELECTRONICS CORP.			
www.keyelco.com • ASTORIA, N.Y. 11105-2017 • Tel (718) 956-8900			
PART NAME 3.5mm SURFACE MOUNT MONO JACK			
MATERIAL AS NOTED			
FINISH GOLD FLASH		DRN BY BOONE	DATE 5.14.99
		APP'D LN	SCALE 3X
TOLERANCES	INCH [MM]	CODE	DWG NO.
DECIMAL	± .005 [± 0.13]	C	
ANGULAR	± 1°		
UNLESS OTHERWISE SPECIFIED			
			983