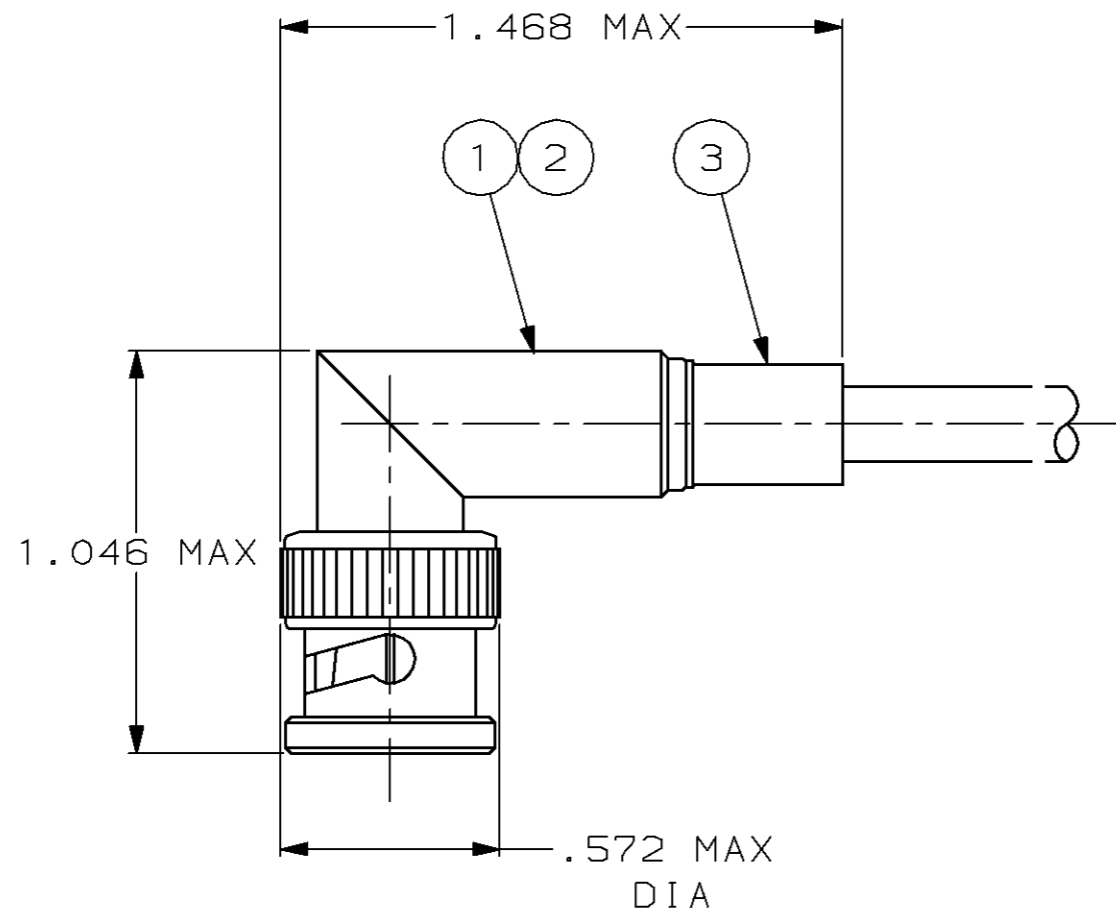
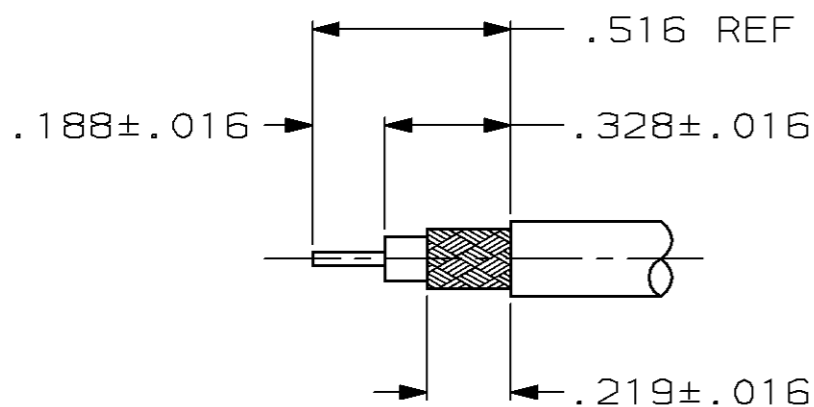


THIS DRAWING IS UNPUBLISHED. RELEASED FOR PUBLICATION, 19 .  
 © COPYRIGHT 19 BY AMP INCORPORATED, HARRISBURG, PA. ALL INTERNATIONAL RIGHTS RESERVED. AMP PRODUCTS MAY BE COVERED BY U.S. AND FOREIGN PATENTS AND/OR PATENTS PENDING.

LOC	DIST	P	F	REVISIONS				
				ZONE	LTR	DESCRIPTION	DATE	APPROVED
AJ	16				E	REVISED PER EC 0220-0720-95	06DEC95	MEC
		✓	✓		F	REVISED PER 0503-0155-96	12-6-96	JG



1. FOR USE WITH: RG-58/U, 58A/U, 58B/U & 58C/U CABLE
2. USE HAND TOOL: 69478-1 FOR RG-58/U, 58A/U, 58B/U, & 58C/U CABLE
3. SEE I.S. 1914-5



RECOMMENDED STRIP LENGTH

QTY	PART NO	DESCRIPTION	ITEM NO
1	225381-2	FERRULE	3
1	331369	CONTACT	2
1	225975-1	PLUG ASSEMBLY	1

UNLESS OTHERWISE SPECIFIED DIMENSIONS ARE IN INCHES TOLERANCES ON:		DR W. ULRICH 9/14/82		AMP INCORPORATED Harrisburg, Pa. 17105	
2 PL DEC ± -		CHK T. SMITH 9/15/82			
3 PL DEC ± -		APPD DON SMITH 9/21/82		NAME PLUG, RIGHT ANGLE DUAL CRIMP, BNC	
ANGLES ± -		APPD W. ULRICH 9/21/82			
MATERIAL	-	PRODUCT SPEC 108-12020		SIZE	B
FINISH	-	APPLICATION SPEC		FSCM NO	00779
WEIGHT				DRAWING NO	225973-1
				SCALE	2:1
				SHEET	1 OF 1