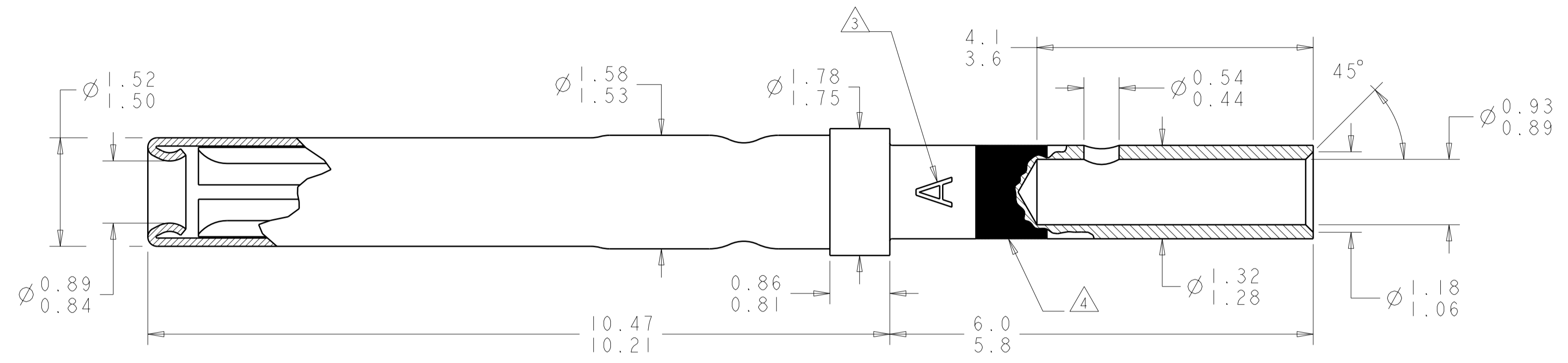


THIS DRAWING IS UNPUBLISHED. RELEASED FOR PUBLICATION
 © COPYRIGHT BY ALL RIGHTS RESERVED.

LOC		DIST		REVISIONS			
P	LTR	DESCRIPTION	DATE	DWN	APVD		
A		REV PER ECO 10-023341	11-16-10	CT	KH		
B		REV PER ECO-11-003534	08JUN2011	RJM3	KH		



1 CONTACT: COPPER ALLOY PER ASTM B196 OR LEADED NICKEL COPPER C97.
 SLEEVE: STAINLESS STEEL PER AISI 305

2 CONTACT: 1.27µm MIN GOLD PER ASTM B488 OVER 2.54µm
 MIN NICKEL PER QQ-N-290 ON ENTIRE STOCK.

SLEEVE: PASSIVATED

3 OPTIONAL ALTERNATE MARKING: LETTER "S"

4 GREEN COLOR BAND.

5. APPLICABLE WIRE SIZE: 22-24-26 AWG
 WIRE INSULATION DIAMETER: 1.4 MAX
 INSULATION STRIP LENGTH: 3.08-3.58

6. APPLICATION TOOLING:
 CRIMPING TOOL: TYCO PART NUMBER 601966-1 (M22520/2-01)
 POSITIONER: TYCO PART NUMBER 601966-8 (M22520/2-23)
 SELECTOR POSITION: AWG 22: 4
 AWG 24: 3
 AWG 26: 3
 CONTACT INSERTION/EXTRCTION TOOL: 91066-1 (M81969/1-01)

7. THIS PRODUCT IS SOLD BY TYCO ELECTRONICS UNDER A LICENSE FROM RADIAL SA.

1738008-1
 PART NUMBER

THIS DRAWING IS A CONTROLLED DOCUMENT.		DWN	BH	12AUG2004	TE Connectivity SOCKET CONTACT ASSEMBLY, SIZE 22, GPR					
DIMENSIONS:		CHK	JPM	12AUG2004				NAME		
mm		APVD	JPM	12AUG2004				SIZE	CAGE CODE	DRAWING NO
		TOLERANCES UNLESS OTHERWISE SPECIFIED:		PRODUCT SPEC						
				APPLICATION SPEC			RESTRICTED TO			
MATERIAL		FINISH		WEIGHT	A200779C-1738008					
1 -		2 -		CUSTOMER DRAWING	SCALE	20:1	SHEET 1 OF 1 REV B			