

MATERIAL NO.	ENGINEERING NO.	FINISHED LENGTH
1300120009	331020A01F060	6 FT. (1.82 M)
1300120016	331020A01F120	12 FT. (3.66 M)
1300120019	331020A01F200	20 FT. (6.10 M)

**CABLE LENGTH TOLERANCES**

<.3M [1FT]: +19mm-0 [ +.75in-0]

.3 - .9M [1 - 3FT]: +44.5mm-0 [+1.75in-0]

.9 - 1.8M [3 - 6FT]: +55.6mm-0 [+2.19in-0]

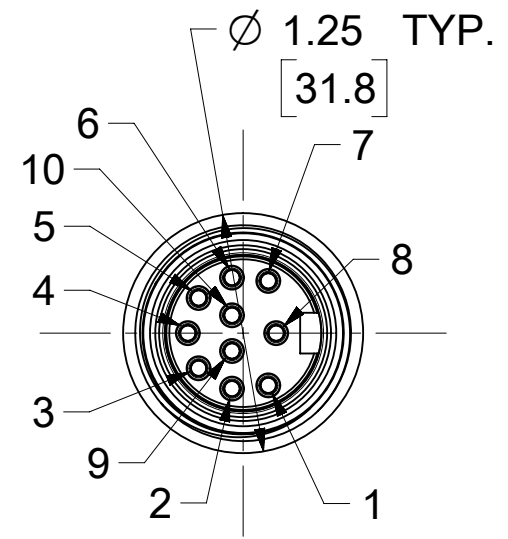
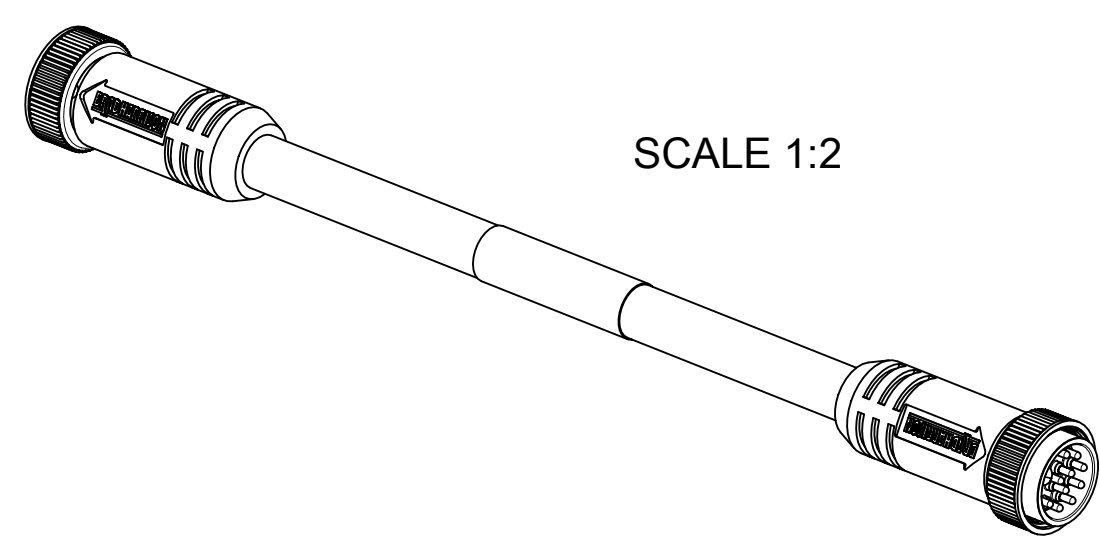
1.8 - 3.7M [6 - 12FT]: +88.9mm-0 [+3.50in-0]

3.7 - 7.3M [12 - 24FT]: +165.1mm-0 [+6.50in-0]

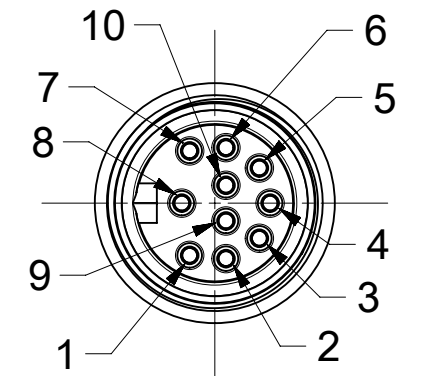
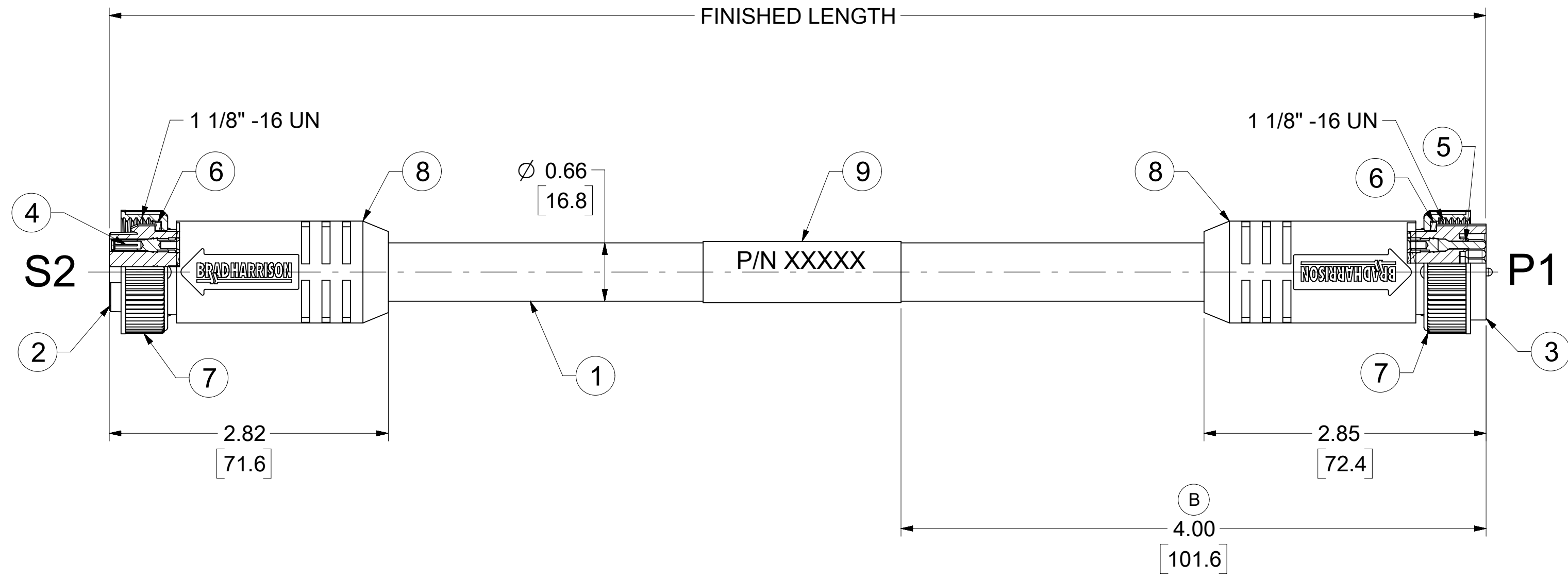
7.3-14.6M [24 - 48FT]: +317.5mm-0 [+12.50in-0]

14.6 - 30.5M [48-100FT]: +622.3mm-0 [+24.50in-0]

OVER 30M [100FT] +2% OF FINISHED LENGTH



FEMALE FACE VIEW



MALE FACE VIEW

- NOTES:**
1. MATERIAL: AS NOTED
  2. FINISH: AS NOTED
  3. ELECTRICAL:  
VOLTAGE: 320V PER IEC60664  
600V PER UL2238  
CURRENT: 7A
  4. TEMP RATING: -20°C TO +105°C
  5. PROTECTION: IP67 (WHEN MATED)
  6. CSA CERTIFIED FILE: LR6837
  7. UL RECOGNIZED FILE: E152210
  8. ASSEMBLY IS ROHS COMPLIANT
  9. ALL DIMS ARE FOR REFERENCE UNLESS TOLERANCED OR NOTED OTHERWISE

**WIRING DIAGRAM**

S2		P1
1	ORANGE	1
2	BLUE	2
3	WHITE/BLACK	3
4	RED/BLACK	4
5	GREEN/BLACK	5
6	ORANGE/BLACK	6
7	RED	7
8	GREEN/YELLOW	8
9	BLACK	9
10	WHITE	10

**PART NUMBER MATRIX**

331020A01F060

FINISHED LENGTH  
F001= .1 FT  
F020= 2 FT  
F200= 20 FT

9	LABEL	VINYL	BLACK/YELLOW
8	OVERMOLD	TPE	YELLOW
7	COUPLING NUT	ZINC DIE CAST	BLACK E-COAT
6	FRICITION RING	NYLON	NATURAL
5	PIN CONTACT	Cu ALLOY	GOLD OVER NICKEL
4	SOCKET CONTACT	Cu ALLOY	GOLD OVER NICKEL
3	MALE INSERT	TPE	YELLOW
2	FEMALE INSERT	TPE	YELLOW
1	#16-10 CABLE, STOOV/ST	PVC JACKET	YELLOW
ITEM	DESCRIPTION	MATERIAL	FINISH

THIS DRAWING CONTAINS INFORMATION THAT IS PROPRIETARY TO MOLEX ELECTRONIC TECHNOLOGIES, LLC AND SHOULD NOT BE USED WITHOUT WRITTEN PERMISSION

DIMENSION UNITS	SCALE	CURRENT REV DESC: UPDATED ITEM #2.3.8.9, LABEL DIM. & MATERIAL P/N TABLE . ADDED CSA, UL, IEC VOLT, TEMP RATING, IP RATING, TOL. CHART & PART NUMBER MATRIX
INCH/MM	1:1	
GENERAL TOLERANCES (UNLESS SPECIFIED)		
4 PLACES	±	
3 PLACES	±	
2 PLACES	±	0.01
1 PLACE	±	0.3
0 PLACES	±	
ANGULAR TOL	±	0.5 °
DRAFT WHERE APPLICABLE MUST REMAIN WITHIN DIMENSIONS		

EC NO: 673727	2021/06/29
DRWN: AKABADI	2021/08/13
CHK'D: RSTONE	2021/08/27
APPR: BWOODMAN	
INITIAL REVISION:	
DRWN: RSTONE	2009/08/17
APPR: JFMURPHY	2009/08/21

DOCUMENT NUMBER		DOC TYPE	DOC PART	REVISION
SD-130012-003		PSD	001	B
MATERIAL NUMBER	CUSTOMER	SHEET NUMBER		
SEE TABLE	GENERAL MARKET	1 OF 1		

**molex**

MINI-CHANGE CORDSET, C SIZE  
10 POLE, MALE/FEMALE, STRAIGHT, SINGLE KEY, 16AWG

PRODUCT CUSTOMER DRAWING