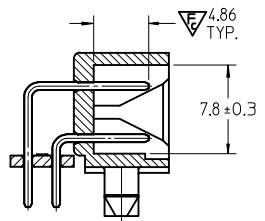
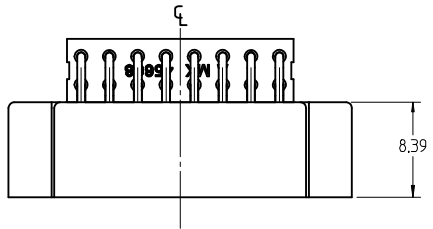
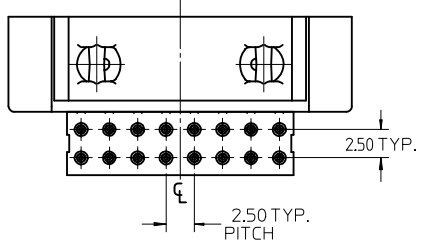
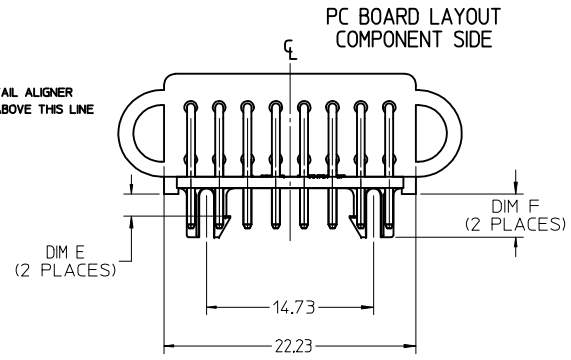
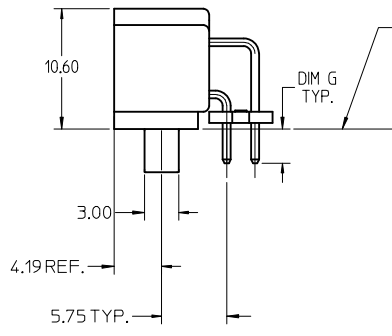
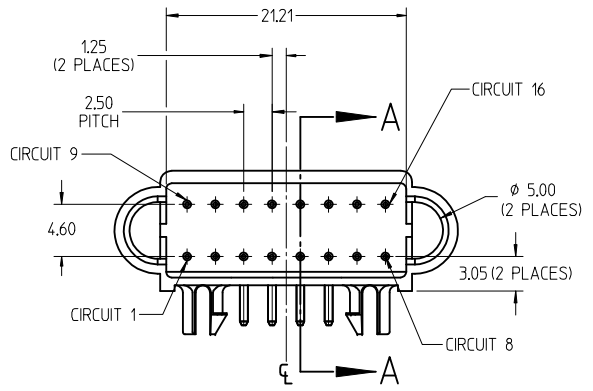
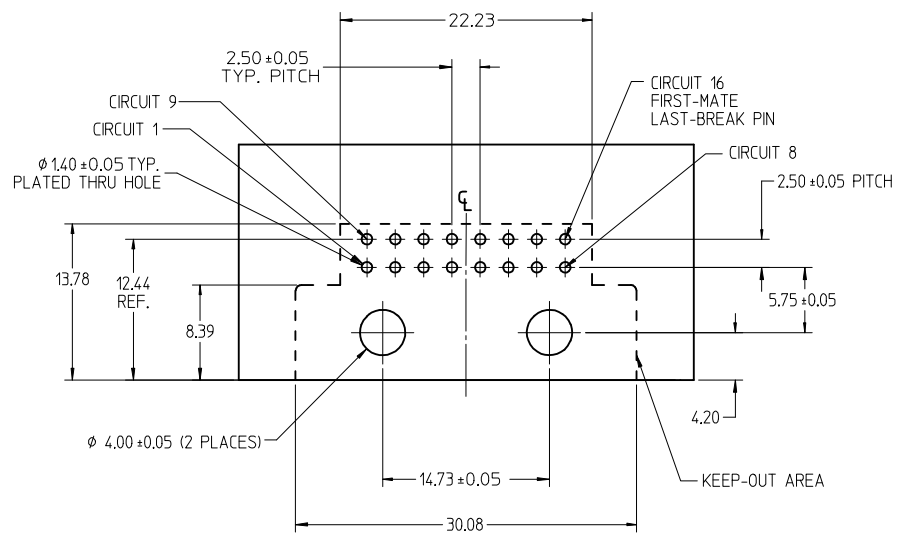


PART NUMBER	PCB THICKNESS	DIM E	DIM F	DIM G	STATUS
45608-0001	1.67	1.95	3.82	3.02	TOOLED
45608-0005	3.05	3.29	5.19	4.39	NOT TOOLED



SECTION A-A



- NOTES:
- HOUSING MATERIAL: HIGH-TEMP THERMOPLASTIC, 94V-0. (COLOR: BLACK)
TAIL ALIGNER: HIGH-TEMP THERMOPLASTIC (COLOR: OPTIONAL)
 - PIN MATERIAL: 0.70mm DIA. BRASS
 - PIN PLATING: 2.504µm TIN OVER 1.254µm NICKEL.
 - PRODUCT SPECIFICATION: PS-45579-001.
 - PACKAGING: TRAY.

PG HOLE DIMENSION INDEXED EC NO: UCP2017-0957 DRWN: BR02 CHKD: APPR: KPRASAD_2016/11/17 H3	QUALITY SYMBOLS ▽ 0 ∇ 0	GENERAL TOLERANCES (UNLESS SPECIFIED) <table border="1"> <thead> <tr> <th></th> <th>mm</th> <th>INCH</th> </tr> </thead> <tbody> <tr> <td>4 PLACES</td> <td>± ---</td> <td>± ---</td> </tr> <tr> <td>3 PLACES</td> <td>± ---</td> <td>± ---</td> </tr> <tr> <td>2 PLACES</td> <td>± 0.13</td> <td>± ---</td> </tr> <tr> <td>1 PLACE</td> <td>± 0.25</td> <td>± ---</td> </tr> </tbody> </table>		mm	INCH	4 PLACES	± ---	± ---	3 PLACES	± ---	± ---	2 PLACES	± 0.13	± ---	1 PLACE	± 0.25	± ---	SCALE 3:1 DESIGN UNITS METRIC DIMENSION STYLE MM ONLY DRAWN BY TGREGORI CHECKED BY MCARRANZ APPROVED BY JCOMERCI	THIRD ANGLE PROJECTION REVISIONS TITLE SPOX BMI RIGHT ANGLE DUAL ROW 8 POSITION HEADER ASSEMBLY MOLEX INCORPORATED MATERIAL NO. SEE TABLE DOCUMENT NO. SD-45608-001 SHEET NO. 1 OF 1	REVISE ON CAD ONLY
		mm	INCH																	
	4 PLACES	± ---	± ---																	
	3 PLACES	± ---	± ---																	
2 PLACES	± 0.13	± ---																		
1 PLACE	± 0.25	± ---																		
DRAFT WHERE APPLICABLE MUST REMAIN WITHIN DIMENSIONS	THIS DRAWING CONTAINS INFORMATION THAT IS PROPRIETARY TO MOLEX INCORPORATED AND SHOULD NOT BE USED WITHOUT WRITTEN PERMISSION																			