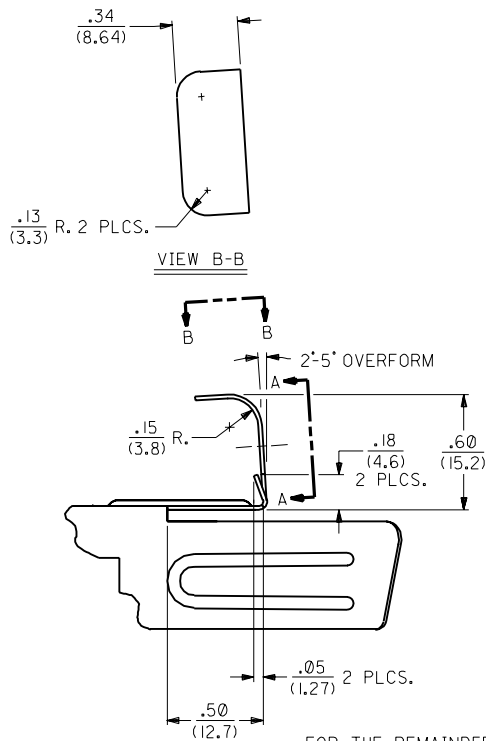


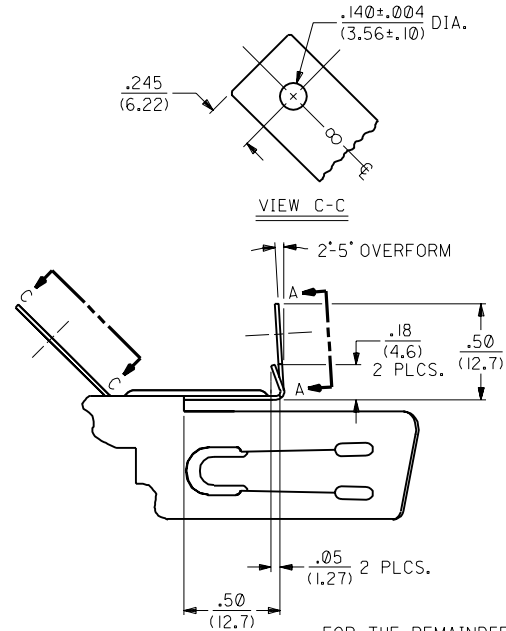
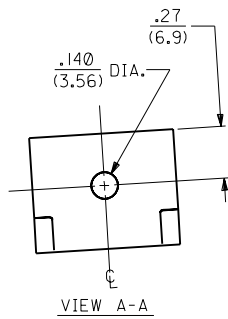
Z	SEE SHEET I	DIMENSIONS SHOWN METRIC () INCH		▽ = 0	▼ = 0	REVISE ONLY ON CAD SYSTEM
Y	SEE SHEET I	UNLESS OTHERWISE SPECIFIED TOLERANCES: ANGULAR 1 DEG 5'		TITLE		
X	SEE SHEET I	INCH METRIC		MOUNTING CLIP		
LTR.	REVISIONS	LTR.	REVISIONS	PART NO. SD-2589-3		SHEET NO. 2
				DRAWN BY RAS		DATE 11/20/92
				CHKD. BY ESS		SIZE CP
				APP'D. BY RAS		SCALE 2:1
				FILE NAME SD2589X2.DGN		
				THIS DRAWING CONTAINS INFORMATION THAT IS PROPRIETARY TO MOLEX INC. AND SHOULD NOT BE USED WITHOUT WRITTEN PERMISSION.		

PART NO.	ENG. NO.	DIMENSION	
		A	
089-00-2006	2589-1D-10	.48±.025 (12.2±.64)	
089-00-2022	2589-2C	.53±.025 (13.5±.64)	
089-00-2025	2589-2H	.656±.025 (16.66±.64)	
089-00-2027	2589-2J-10	.562±.025 (14.27±.64)	
089-00-2041	2589-3B	.48±.025 (12.2±.64)	
089-00-2047	2589-6F	.375±.015 (9.53±.38)	
089-00-2100	2589-10C	.48±.025 (12.2±.64)	
089-00-2101	2589-21A	.62±.025 (15.7±.64)	OBSOLETE
089-00-2103	2589-23	.62±.025 (15.7±.64)	



FOR THE REMAINDER
OF DIMENSIONS AND
DETAILS SEE SHEET I

2589-23



FOR THE REMAINDER
OF DIMENSIONS AND
DETAILS SEE SHEET I

2589-21A **OBSOLETE**

LTR.		REVISIONS		LTR.		REVISIONS	
		AA	SEE SHEET I				
		Z	SEE SHEET I				
AB	SEE SHEET I	X	SEE SHEET I				

DIMENSIONS SHOWN (METRIC) INCH		▽ = 0 ▼ = 0		REVISE ONLY ON CAD SYSTEM	
UNLESS OTHERWISE SPECIFIED TOLERANCES: ANGULAR ± .030 5°		TITLE		MOUNTING CLIP	
INCH METRIC		MOLEX INCORPORATED		SHEET NO. 3	
3 PLACE ± .010 ---		L1SLE,ILL. 60532		DATE 2/24/93	
2 PLACE ± .014 ± 0.25		U.S.A.			
1 PLACE --- ± 0.35		PART NO. SEE CHART		DRWG. NO. SD-2589-*	
DRAFT WHERE APPLICABLE MUST REMAIN WITHIN DIMENSIONS		FILE NAME SD2589X3		DIV. CP	
DRAWN BY RHR		CHK'D BY ESS		SCALE 2: 1	
APP'D BY RAS					

MFG. SH. REV.

DATE 2/24/93

DRWG. NO. SD-2589-*

DIV. CP

SCALE 2: 1