

NX3215SE

For OA / AV / Mobile Communications

■ Features

- Tuning fork crystal unit with low ESR(Equivalent Series Resistance).
- Supports Microcontroller requiring low ESR. (ESR:Max. 40kΩ)
- Excellent electric performance optimum for mobile communications, OA (office automation) and AV (audiovisual) applications are exhibited.
- A surface-mount crystal oscillator. (Reflow soldering is possible.)
- Lead-free. Meets the requirements for re-flow profiling using lead-free solder.



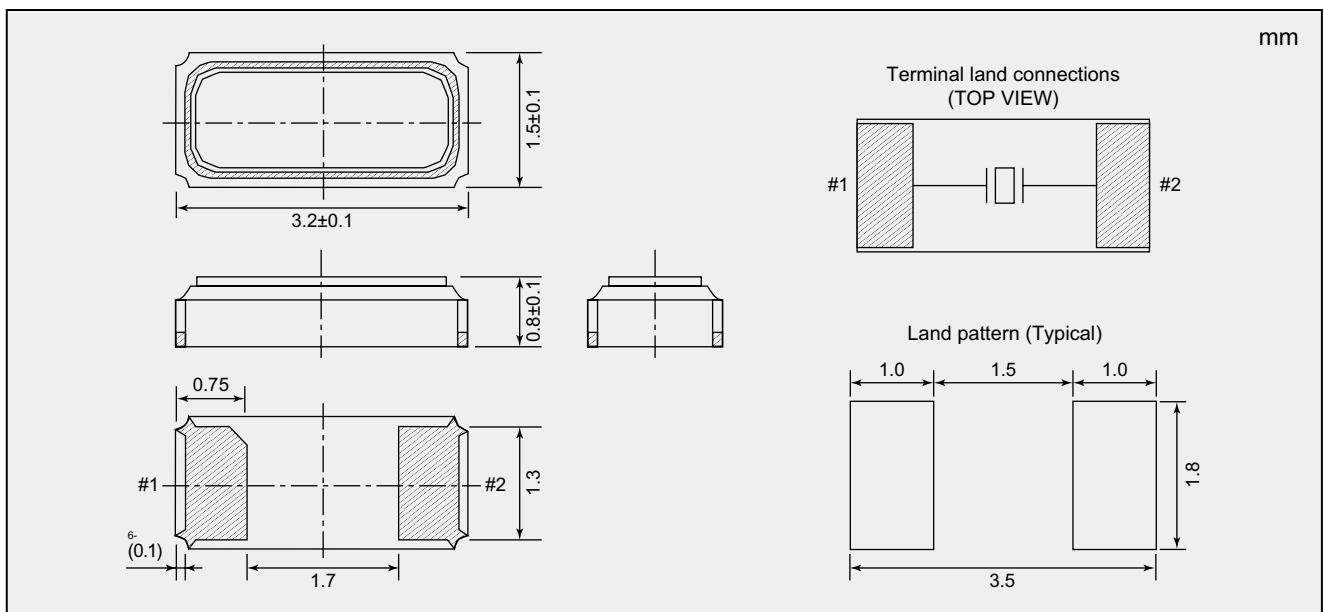
Pb Free

RoHS Compliant
Directive 2011/65/EU
Directive (EU) 2015/863

■ Specifications

Item	Model	NX3215SE		
Nominal Frequency		32.768kHz		
Operating Temperature Range		-40 to +85°C		
Storage Temperature Range		-40 to +85°C		
Level of Drive		0.1μW (Max. 0.5μW)		
Frequency Tolerance (25 ±3 °C)		±20 × 10 ⁻⁶		
Turning Point		+25°C ± 5°C		
Temperature Coefficient		Max. -0.04 × 10 ⁻⁶ /°C ²		
Load Capacitance		6.0pF	9.0pF	12.5pF
Equivalent Series Resistance		Max. 40kΩ (Typ. 20kΩ)		
Shunt Capacitance		Typ. 1.3pF / Max. 1.6pF		
Insulation Resistance		Min. 500MΩ		
Specifications Number		STD-MUA-19	STD-MUA-18	STD-MUA-17

■ Dimensions



Please specify the model name, frequency, and specification number when you order products.
For further questions regarding specifications, please feel free to contact us.